

# Specification

## CombiMaster® Plus 201 E (20 x 1/1 GN)

Reference number:



**Description**

- Hot-air steamer (combi-steamer mode) conforming to DIN 18866 for most of the cooking methods used in commercial kitchens for the optional use of steam and hot-air, individually, in succession or in combination.

**Working safety**

- Cleaning and rinse aid tabs (solids) for maximum operational safety
- HACCP data output and software update via integral USB port
- Safety temperature limiter for steam generator and hot-air heating
- VDE approved for unsupervised operation
- Maximum rack height 5 ¼ ft. / 1.60 m when original stand used
- Maximum rack height 5 ¼ ft. / 1.60 m
- Integral fan impeller brake

**Operation**

- Mode selector control for cooking modes, separate controls for temperature, core temperature and time settings
- LED illuminated display, visible from a distance
- Clear control panel

**Cleaning, care and operational safety**

- 3 automatic cleaning programs
- Diagnostic system with automatic service notices displayed
- Menu-guided user descaling program

**Features**

- USB port
- Probe for core temperature measurement
- Individual programming of 100 cooking programs each with up to 6 steps
- 5 fan air speeds, programmable
- Integral, maintenance-free grease extraction system with no additional grease filter
- Cool-down function for fast cabinet fan cooling
- High-performance fresh steam generator
- Automatic, active rinsing and drainage of steam generator by pump
- Automatic adaptation to the installation location (height, climate, etc.)
- Seamless hygienic cooking cabinet with rounded corners, cabinet with splash guard - stops water from spilling out
- Mobile oven rack (rail spacing 2 1/2" / 63 mm) with tandem castors, wheel diameter 5" / 125 mm)
- Handle mount for mobile oven rack
- Cooking cabinet door with integral sealing mechanism
- Material inside and out 304 (DIN 1.4301) stainless steel
- Hand shower with automatic retracting system
- Separate solenoid valves for normal and softened water
- Fixed waste water connection conforming to SVGW requirements where permitted
- Splash and hose-proof to IPX 5
- Demand-related energy supply
- Lengthwise loading for 12"x20" or 1/1, 1/2, 2/3, 1/3, 2/8 GN accessories
- Temperature unit is selectable in °C or °F
- Dynamic air mixing

**ClimaPlus**



Climate management - humidity measurement, 5-stage setting and regulation

**Combi-Steamer mode**



Steam between 30 °C and 130 °C



Hot-air from 30 °C-300 °C



Combination of steam and hot-air 30 °C-300 °C

**Approval/Labels**



Planner/Designer:



# Specification/Data sheet

Thu May 18 10:38:25 CEST 2017

## CombiMaster® Plus 201 E (20 x 1/1 GN)

### Technical Info

<b>Lengthwise loading for:</b>	1/1, 1/2, 2/3, 1/3, 2/8 GN	<b>Height:</b>	70 1/4 inch / 1.782 mm	<b>Connected load electric :</b>	37 kW	
<b>Capacity (GN-container/grids):</b>	20 x 1/1 GN	<b>Weight (net):</b>	254 kg	<b>"Steam" connection:</b>	36 kW	
<b>Number of meals per day:</b>	150-300	<b>Weight (gross):</b>	300 kg	<b>"Hot-air" connection:</b>	36 kW	
<b>Width:</b>	879 mm	<b>Water connection (pressure hose):</b>	3/4" / d 1/2"	<b>Mains connection</b>	<b>Breaker Size / (amp draw)</b>	<b>Cable crossection</b>
<b>Depth:</b>	791 mm	<b>Water pressure (flow pressure):</b>	150-600 kPa / 0,15-0,6 Mpa / 1,5 - 6 bar	3 NAC 400V	3 x 63 A	5 x 10 mm <sup>2</sup>
		<b>Water drain:</b>	DN 50 mm	50/60Hz		
				Other voltage on request!		

### Installation

- Attention: Copper wiring only!
- Recommended left hand clearance for service and maintenance 20" / 500 mm. It must be a minimum of 14" / 350 mm if heat sources are affecting the left side of the unit
- Installations must comply with all local electrical, plumbing and ventilation codes

### Options

- Marine version
- Security version/prison version
- Sous-Vide core temperature probe
- Interface Ethernet
- Safety door lock
- Externally attached core temperature probe
- Mobile oven rack
- Lockable control panel
- Connection to energy optimising systems + Potential free contact for operation indication included
- Special voltages
- Unit with mobile oven rack for bakers
- Mobile with castors
- external signal unit connection
- Control panel protection

### Accessories

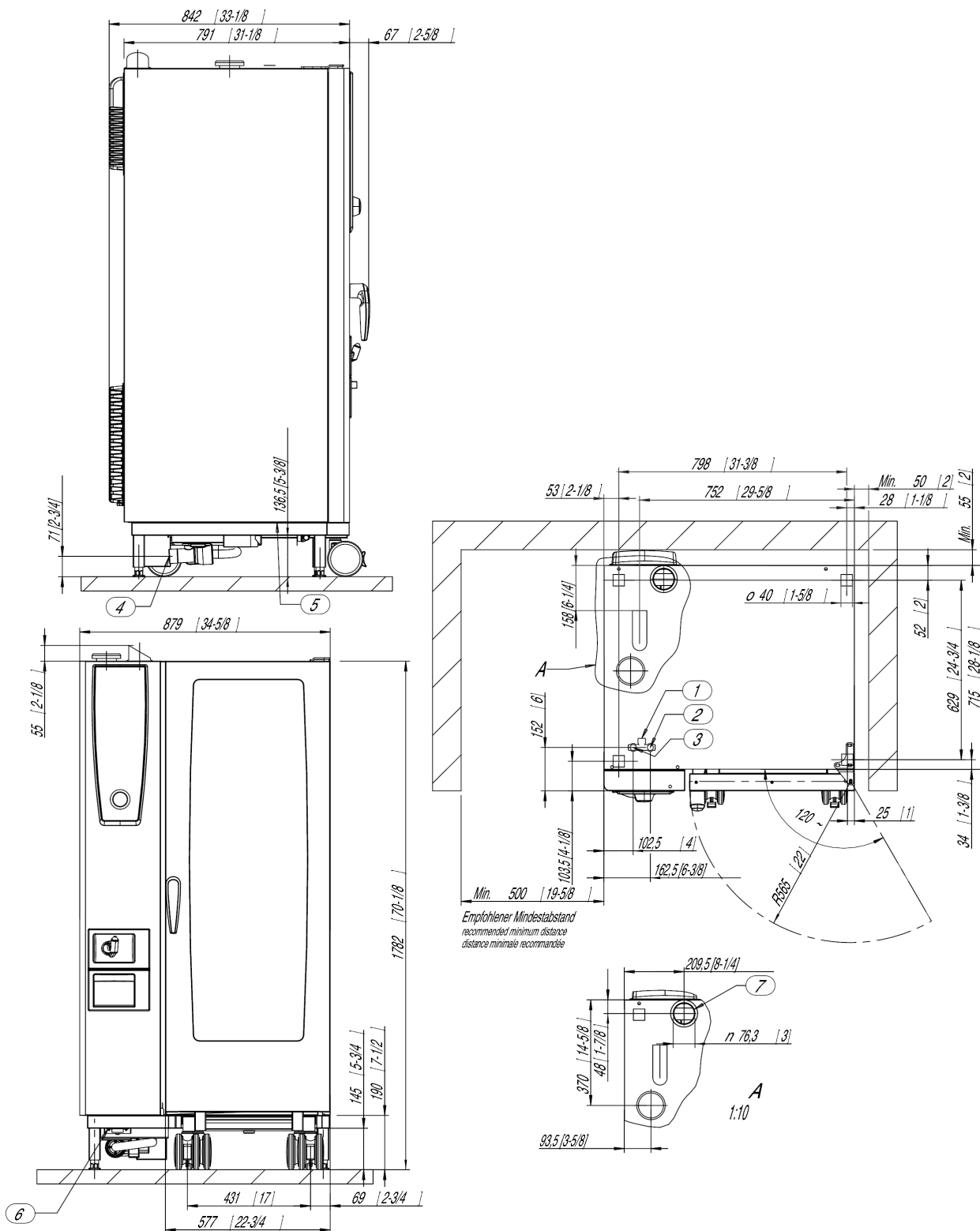
- GN Containers, Trays, Grids
- Thermocover
- UltraVent® Plus condensation hood with special filter technology
- UltraVent® condensation hood
- Mobile oven rack for bakers
- Ramp for mobile oven rack
- Lamb and suckling pig spit

### RATIONAL UK

Unit 4 Titan Court, Laporte Way  
Portenway Business Park, Luton LU4 8EF  
Tel.: +44 (0) 1582 480388, Fax.: +44 (0) 1582 485001

Visit us on the internet: [www.rational-online.uk](http://www.rational-online.uk)

We reserve the right to make technical improvements



1. Common water supply (cold water) "Single" water connection as shipped
2. Water supply cold water / condensate "Split" water connection
3. Water supply cold / Treated "Split" water connection
4. Water drain
5. Electrical connection wire entrance
6. Chassis Ground connection
7. Steam Vent pipe DN 3" / 78 mm
8. minimum distance 2" / 50 mm
9. Measurements in mm (inch)