



Model MSO5211 shown

Heavy Volume

Menumaster Commercial Microwave Model MSO5211

Power Output

- 2100 watts of power.
- 11 power levels for consistent, delicious results for frozen, refrigerated and fresh foods - from the freezer to the table in minutes.
- Unique method of energy distribution provides superior and even heating throughout the cavity.

Easy to Use

- Ample 45 liter (1.6 cubic ft.) cavity accommodates two 102 mm (4) deep full size pans.
- Up to 100 programmable menu items can be used to simplify cooking and ensures consistent results.
- USB port compatible with standard flash drives, updates programming in seconds.
- Four stage cooking options with one-touch programming. Reduces prep time, labor and food waste while providing consistent results.
- Reduces prep time, labor and food waste while providing consistent results.
- Controls are user friendly and require minimal training.
- Quantity pad calculates the proper cook times for two servings.
- Transparent door and lit interior allows monitoring without opening the door.
- Interior ceramic shelf is recessed to reduce plate-to-shelf edge impact and keep spills contained.

Easy to Maintain

- Stainless steel exterior and interior for easy cleaning and a professional look.
- Constructed to withstand the foodservice environment.
- Magnetic front air filter for easy removal and cleaning.
- Clean filter reminder to protect oven components.

Heavy Volume

This category of microwave is ideal for...

Applications:

- Schools
- Healthcare Facilities
- Buffets
- Cafeterias
- Stadiums
- Supermarkets
- Fast Casual Restaurant

Defrost:

- Defrosts most frozen food products

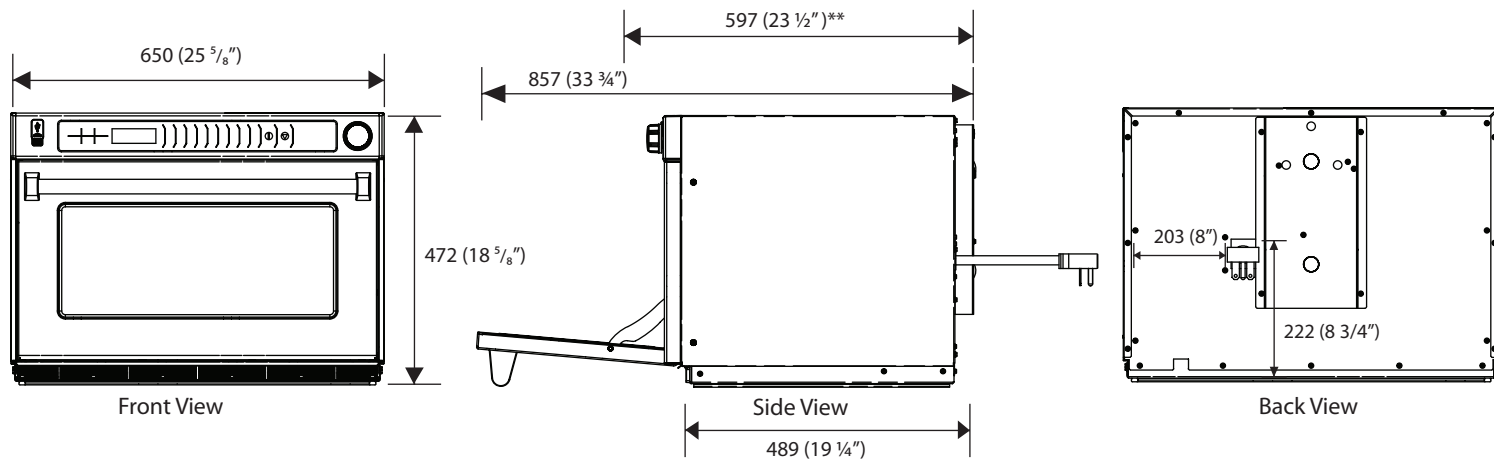
Throughput Potential:

- 4.5 kg (10 lb.) baby red potatoes, 3 per hour
- 3.5 kg (8 lb.) frozen vegetables, 4 per hour
- 1 kg (2 lb.) shrimp, 18 per hour

All ACP, Inc. commercial ovens are backed by our Culinary Center. Call us with any question regarding food preparation, menu development and cooking times. 866-426-2621.



MenuMaster Commercial Microwave Model MSO5211 | Heavy Volume



Installation Clearances - Top: 7" (178), Sides: 1" (25), Back: None

Drawings available from KCL CADlog - techs@kclcad.com

Specification #:

Specifications	
Model	MSO5211 UPC Code 728028315820
Configuration	Countertop
Control System	Touch w/ dial
Programmable Control Pads	10
Settings Programmable	100
Max. Cooking Time	60 minutes
Power Levels	11
Defrost	Yes, power level 2
Dial Time Entry	Yes
Time Entry Option	Yes
Microwave Distribution	Top and bottom antennas
Magnetrons	4
Display	LCD
Stage Cooking	Yes, 4
Interior Light	Yes, LED
Door Opening	Pull down
Door Construction	Window
Latch Number	2
Window Material	Glass
Air Filter w/Reminder	Yes
Stackable	Yes
Signal	Yes
Automatic Voltage Sensor	No
Multiple Portion Setting	Yes, x2
Exterior Dimensions	H 472 (18 5/8") W 650 (25 5/8") D** 597 (23 1/2")
Cavity Dimensions	H 251 (9 7/8") W 535 (21") D 330 (13")
Door Depth	857 (33 3/4"), drop down door
Usable Cavity Space	45 liter (1.6 cubic ft.)
Exterior Finish	Stainless steel
Interior Finish	Stainless steel with recessed ceramic tray and removable shelf
Power Consumption	3300 W
Power Output*	2100 W* Microwave
Power Source	230V, 50 Hz, 16A single phase
Plug Configuration / Cord	"Schuko" 1.5m (5 ft.)
Frequency	2450 MHz
Product Weight	66 kg. (146 lb.)
Ship weight (approx.)	73 kg. (161 lb.)
Shipping Carton Size	H 565 (22 1/4") W 768 (30 1/4") D 667 (26 1/4")

AIA File #:

Specifications

Commercial microwave 10 touch pad control panel shall be programmable with the ability to program up to 100 menu items and shall have automatic cooking capability for up to two servings. Cooking timer shall be no more than 60 minutes, countdown style with a time entry option and an adjustable end of cycle audible signal. LCD display shall be a backlit. There shall be 11 power levels, 4 cooking stages and defrost mode at 20% power. Microwave output shall be 2100 watts distributed by four magnetrons, each with a rotating antenna to provide even heating throughout the cavity. Heavy duty door shall have a tempered glass window and a pull down door for easy access. An interior light shall facilitate monitoring without opening the door. The large 45 liter (1.6 cubic ft.) cavity shall accommodate two standard 102 mm (4") deep full size pans. Interior ceramic shelf shall be recessed to reduce plate-to-shelf edge impact. Oven shall have a stainless steel interior and exterior and be stackable to save counter and shelf space. Oven shall have a "clean filter" reminder feature. Microwave oven shall comply with standards set by the U.S Department of Health and Human Services, NSF for sanitation.

Warranty

Warranty Certificate for this product can be found on the ACP, Inc. website at: www.acpsolutions.com/warranty



Measurements are in millimeters

* IEC 60705 Tested

** Includes handle