



600 Series Electric Griddle

Instruction manual



**Model • Modèle • Modell • Modello • Modelo • Malli:
CU473 / CU474 / CU475**

Safety Instructions

DANGER OF HIGH VOLTAGE!

Electrical requirements:

Always switch off and disconnect the power supply to the appliance before installation, when not in use, before cleaning and maintenance/service.

This appliance should only be connected to the mains electricity supply by a qualified electrician. Hardwire the appliance into a suitable power supply with correct voltage and sufficient power capacity. Refer to the rating label on the appliance for voltage and wattage requirements.

Connect the appliance to a circuit protected by an appropriate RCD (Residual Current Device).

Under no circumstances put a plug on the cable.

Failure to comply with these safety instructions will release Buffalo from any responsibility and the warranty will become null and void.

- Position on a flat, stable surface.
- A service agent/qualified technician should carry out installation and any repairs if required. Do not remove any components on this product.
- Consult Local and National Standards to comply with the following:
 - Health and Safety at Work Legislation
 - BS EN Codes of Practice
 - Fire Precautions
 - IEE Wiring Regulations
 - Building Regulations

- **Some surfaces become hot during operation. Take care when using the appliance.**
- **During and after cooking, the unit is still hot. Never touch the surface to avoid scalding.**
- DO NOT immerse the appliance in water.
- DO NOT clean with jet/pressure washers.
- DO NOT carry when hot.
- DO NOT leave the appliance unattended during operation.
- DO NOT obstruct or cover the appliance in any way when in use.
- Not suitable for outdoor use.
- Always switch off and disconnect the power supply to the appliance when not in use.
- This appliance must only be used in accordance with these instructions and by persons competent to do so.
- Keep all packaging away from children. Dispose of the packaging in accordance to the regulations of local authorities.
- If the power cord is damaged, it must be replaced by a Buffalo agent or a recommended qualified technician in order to avoid a hazard.
- This appliance is not intended for use by persons (including children) with reduced physical, sensory or mental capabilities, or lack of experience or knowledge, unless they have been given supervision or instruction concerning the use of the appliance by a person responsible for their safety.
- Children should be supervised to ensure that they do not play with the appliance.
- Buffalo recommend that this appliance should be periodically tested (at least annually) by a Competent Person. Testing should include, but not be limited to: Visual Inspection, Polarity Test, Earth Continuity, Insulation Continuity and Functional Testing.



Introduction

Please take a few moments to carefully read through this manual. Correct maintenance and operation of this machine will provide the best possible performance from your Buffalo product.

Buffalo will not accept liability for product failures in the event that:

- The instructions in this manual have not been followed correctly.
- Unqualified or unauthorized personnel have adjusted the Fryer.
- Non-original spare parts are used.
- The appliance has not been handled and cleaned correctly.
- The appliance has been used for a purpose for which it was not intended.
- The appliance is used by personnel not trained or unfamiliar with the usage of the unit.

Pack Contents

The following is included:

- Buffalo griddle
- Instruction manual

BUFFALO prides itself on quality and service, ensuring that at the time of unpacking the contents are supplied fully functional and free of damage.

Should you find any damage as a result of transit, please contact your BUFFALO dealer immediately.

Installation



Warning: Incorrect installation, operation, maintenance or cleaning of the equipment, as well as any modification can cause property damage and personal casualty. Fully read and understand all instructions before installation.

Before installation and operation, it is the user's responsibility to ensure that all Health & Safety regulations concerning safe positioning, spacing, ventilation, electrical installation, and fire risk, are complied with.

- Remove the appliance from the packaging, ensuring that all protective packaging, plastic and residues are thoroughly cleaned from its surfaces.
- Place the unit on a heat-resistant surface. Avoid placing it on or close to flammable materials. Maintain a distance of 20cm (7 inches) between the appliance and walls or other objects for ventilation.
- Keep the unit away from splashing water and countertop's edge.

Electrical wiring

DANGER of electric shock from incorrect connection

There is a danger to life if the wires are incorrectly connected.

Connection to a suitable power supply should only be carried out by a qualified and competent electrical engineer.

Warning: The fixed wiring of the power cord connection must be equipped with a disconnect device (leakage protection switch) with a contact distance greater than 30mm according to the wiring rules.

Connect the unit in accordance with the applicable regulations of your country, federal state, city or local authority.

Connect the unit to a standard energy supply network.

For a proper electrical connection, adjust the power ratings to the local circumstances and requirements.



Equipotential bonding terminal in electrical appliances is to connect exposed metal and conductive parts of electrical devices and other devices in electrical appliances with artificial or natural grounding conductors to reduce potential differences (reduce and prevent the risk of electric shock).

- This appliance is supplied unplugged and require hardwiring to a suitable electrical power supply.
CU473 and CU474 requires a 3kW 230V one-phase circuit at 50Hz
CU475 requires a 4.5kW 400V three-phase circuit at 50Hz
- Connect the wires correctly according to their colour coding. This appliance is wired as follows:

Wire colour	Wire function	To terminals of power supply
Yellow/green	Earth wire, protective conductor	Terminal marked E
Blue	Neutral wire, neutral conductor	Terminal marked N
Brown, grey and black	Live wires, Phase L1, L2, L3	Terminal marked L1, L2, L3

- The appliance must be earthed. If in doubt consult a qualified electrician.
- Electrical isolation points must be kept clear of any obstructions. In the event of any emergency disconnection being required they must be readily accessible.

Assembly

This appliance is fitted with adjustable feet to enable the unit to be positioned securely and level. This should be carried out on completion of the electrical connection. Refer to the 'Electrical wiring' section as above. No further assembly is required.

Note: Before using for the first time, clean all parts well. Let dry completely.

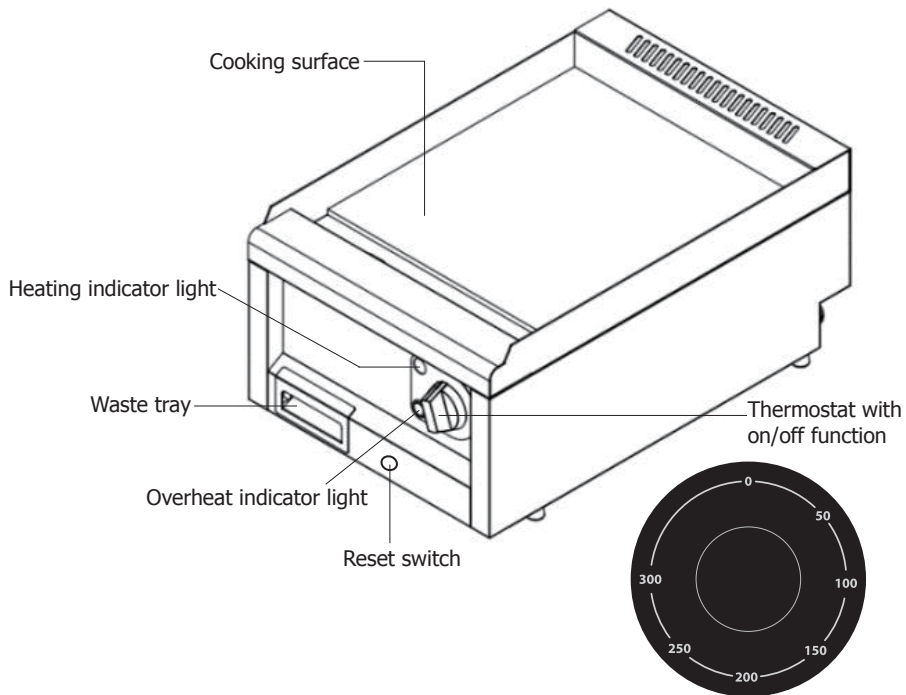
Before first time use

Before using for the first time the cooking surface needs to be seasoned.

1. Ensure the cooking surfaces are clean, then brush the surfaces with cooking oil.
2. Turn the appliance On at the mains power supply and set the thermostat to 110°C. The heating indicator light turns on.
3. When the set temperature is reached, the Heating indicator light turns Off.
4. Turn the appliance Off and allow it to cool before wiping away any excess oil.
5. The appliance is now ready to use.

Operation

(Model shown: CU473)



Cooking

Note: BUFFALO recommend the cooking surface is lightly oiled before cooking.

1. Turn the appliance On at the mains power supply.
2. Set the thermostat to the desired temperature (50°C-300°C). The heating indicator light comes on and the appliance begins to heat up.
 - **Note: Setting the thermostat to a higher setting than required will not shorten the heating time.**
3. When the set temperature is reached, the Heating indicator light turns Off.
 - **Note: During use, the heating indicator light will cycle on/off, indicating the set temperature is being maintained.**
4. Place the foodstuffs on the cooking surface and cook as required.
5. After use, set the thermostat to "0" (OFF position) and disconnect the appliance from power supply.

Warning: The foods and cooking surfaces are very hot. Take care to avoid any burns!

Thermal Cut-out Reset

The appliance is fitted with a Thermal Cut-Out safety switch. Should the temperature exceed safe levels the appliance will automatically cut off power.

The thermal Cut-out switch is located on the front of the unit. To reset the appliance after a sufficient cool-down period:

1. Unscrew the reset switch cover.
2. Press the small reset switch down until it clicks, using a blunt pointed instrument.
3. The appliance is now reset and can be used as normal.

Cleaning, Care & Maintenance

The appliance should be cleaned after each day's operation; however it may require cleaning more often, depending on the volume of grilling carried out.

Do not use any abrasive cleaning agents on the appliance.

If grease is permitted to accumulate, it will begin to carbonise into a hard substance that is extremely difficult to remove. To prevent this, follow the cleaning steps below:

1. Always turn OFF the appliance and disconnect from the power supply before cleaning.
2. Allow the appliance to cool before cleaning.
3. If there is an accumulation of burned fat or food, the cooking surface should be thoroughly scoured and re-seasoned.

Warning: It is vital that the cooking surface is re-seasoned after scouring. Do not use steel wool as it may leave shards that could Contaminate food.

4. Use warm, soapy water and a damp cloth to clean the exterior of the appliance.
5. Dry thoroughly after cleaning.

Clean the waste tray

- This appliance features a waste tray to collect any liquid or fats that run off during cooking.
- At least once a day, remove and empty the waste tray before washing with warm, soapy water.
- Do not allow the tray to overflow, or excess grease will run out of the overflow hole at the front of the tray.

Warning: Do not remove the waste tray during or immediately after use as the contents will be hot.

Technical Specifications

Note: Due to our continuing program of research and development, the specifications herein may be subject to change without notice.

Model	Voltage	Power (Max.)	Temperature Range	Cooking Surface Dimensions (mm)	Product Dimensions h x w x d (mm)	Net Weight
CU473 CU474	230V 1N~, 50-60Hz	3kW	50°C - 300°C	396 x 410	240 x 400 x 600	24.1kg
CU475	400V 3N~, 50-60Hz	4.5kW	50°C - 300°C	596 x 410	240 x 600 x 600	35.1kg

Troubleshooting

A qualified technician must carry out repairs if required.

Fault	Probable Cause	Solution
The unit is not working	The unit is not switched on	Check the residual current relay and the overcurrent fuse in the power supply line and switch on
	Lead is damaged	Replace lead
	Mains power supply fault	Check mains power supply
Appliance does not reach set temperature, or slow to heat up	Faulty thermostat	Consult a qualified technician
	Faulty heating element	Consult a qualified technician
	Build-up of fat on cooking surface	Clean the appliance
Appliance heats up but indicator light does not come on	Indicator light has expired	Consult a qualified technician
Heating indicator light comes on but appliance does not heat up	Faulty thermostat	Consult a qualified technician
	Faulty heating element	Consult a qualified technician
	Thermostat set incorrectly	Check thermostat
No power	Thermal cut-out activated	Please check your machine is safe with no obvious damage and then press the re-set switch
Unit overheats or starts to smoke	Thermostat damaged	Switch Off immediately. Consult a qualified technician

Compliance

The WEEE logo on this product or its documentation indicates that the product must not be disposed of as household waste. To help prevent possible harm to human health and/or the environment, the product must be disposed of in an approved and environmentally safe recycling process. For further information on how to dispose of this product correctly, contact the product supplier, or the local authority responsible for waste disposal in your area.



Buffalo parts have undergone strict product testing in order to comply with regulatory standards and specifications set by international, independent, and federal authorities.

Buffalo products have been approved to carry the following symbol:



All rights reserved. No part of these instructions may be produced or transmitted in any form or by any means, electronic, mechanical, photocopying, recording or otherwise, without the prior written permission of Buffalo.

Every effort is made to ensure all details are correct at the time of going to press, however, Buffalo reserves the right to change specifications without notice.



UK	+44 (0)845 146 2887
Eire	
NL	040 – 2628080
FR	01 60 34 28 80
BE-NL	0800-29129
BE-FR	0800-29229
DE	0800 – 1860806
IT	N/A
ES	901-100 133



<http://www.buffalo-appliances.com/> 

CU473-CU474-CU475_EN_A5_v1_2023/10/20