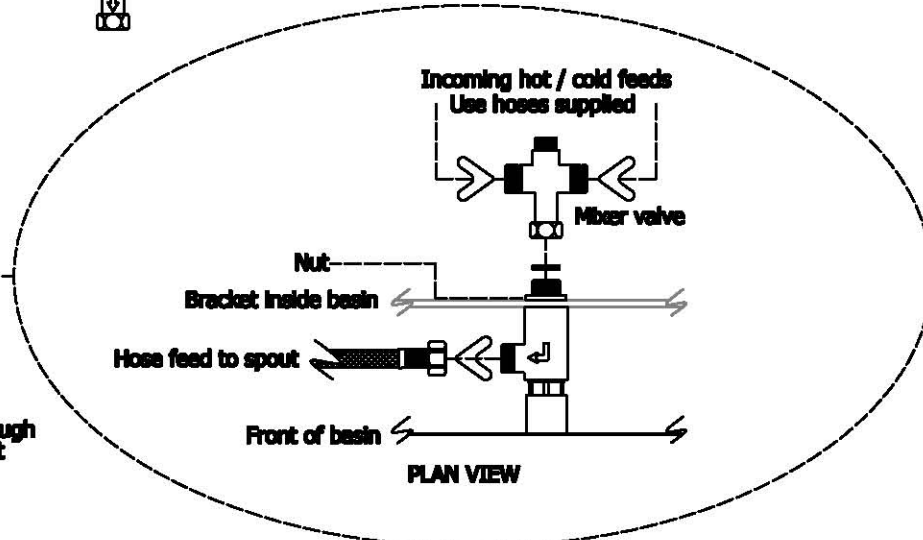
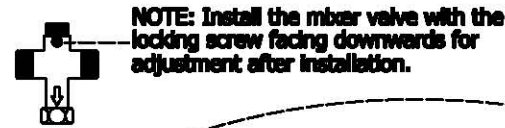
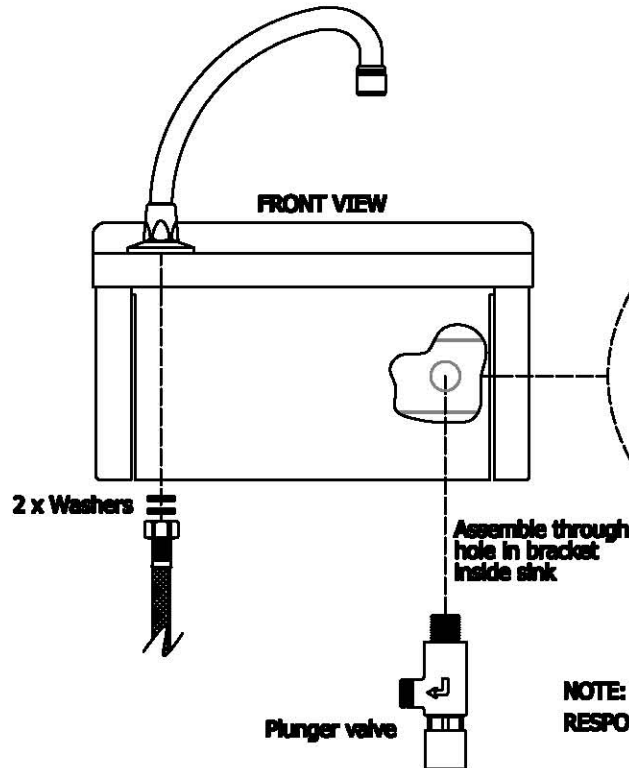
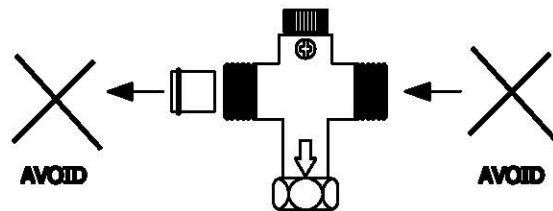


WS3 - KVS Thigh - Operated Valve & Spout Installation Instructions

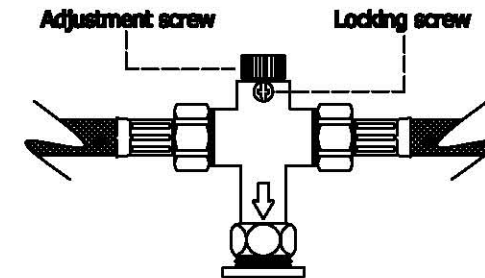
Assemble the spout and the valve parts onto the hand basin before fixing to the wall.



NOTE: THESE COMPONENTS HAVE BEEN PRE-ASSEMBLED IN ORDER TO ASSIST YOU. MECHLINE ACCEPTS NO RESPONSIBILITY FOR WATERTIGHTNESS.



Use the two flexible hoses supplied to make the hot and cold connections to the mixer valve. They are sized to ensure that the non-return cartridges remain fixed in the mixer valve body



After installation turn the adjustment screw until the desired water temperature delivery to the spout is achieved. Lock off with the locking screw.

----- TOP OF WASH HAND BASIN -----

INSTALLATION TEMPLATE FOR WS3 BASIN

Mark through 4 x punched holes for wall fixings



by **MECHLINE** 



Installation, operation and maintenance of BaSiX products

Installation

BaSiX products are designed to be easy to install. When installing hand basins or wall shelves, ensure that the wall structure is sufficiently sound to support the product during use. Ensure that suitable wall fixings are used. If in any doubt, do not complete the installation.

Mechline can accept no responsibility for loss or damage caused as a result of poor installation or operator misuse such as the overloading of wall shelves, or the overflowing of hand basins. Test the strength of the installed product and advise the customer regarding the safe operation of the product(s) before leaving site.

Care and maintenance of your BaSiX product

All grades of stainless steel can stain and discolour through general use. In order to keep your BaSiX product in good condition, it should be kept as clean as possible. With proper care, your BaSiX product will give many years of service life.

Care should be taken during installation to ensure that surface contamination is avoided. The best way to do this is to leave the protective plastic film in place as long as possible during installation, and then remove it just before the product is used.

For general cleaning use soap or mild detergent and water on a sponge. Rinse with clean water and wipe dry if necessary.

For heavier stains use a mild household cleaning solution, rinse well with clean water and wipe dry if necessary.

Avoid abrasive cleaning products such as scourers.

Thank you for choosing products from the BaSiX range.

Mechline Developments Ltd

Unit 15 Carters Lane • Kiln Farm • Milton Keynes MK11 3ER • Tel: +44 (0) 1908 261511 • Fax: +44 (0) 1908 261522 • www.mechline.com