

## WAREWASHING



## Dishwashers/Glasswashers BARAID

Baraid 800-10A  
BaraidS 800S-10A  
Baraid 500-10A  
Baraid 500S-10A  
Baraid 500-13A  
Baraid 400-10A  
Baraid 400S-10A

DSN: FX-12-01 / GC-13-01 (Baraid 400/S)  
From SN: 86 66 10001 / 86 61 03001 (Baraid 400/S)

## Installation and Operation Instructions

EN

**Publisher**

HOBART GmbH  
Robert-Bosch-Str. 17  
77656 Offenburg  
Tel. +49(0)781 600 0  
Fax +49(0)781 600 23 19  
E-mail: [info@hobart.de](mailto:info@hobart.de)  
Internet: [www.hobart.de](http://www.hobart.de)

**Product disclaimer**

Installations and repairs carried out by non-authorized technicians or using non-genuine spare parts, and any technical alterations to the machine not approved by the manufacturer will invalidate the manufacturer's warranty and product liability.

HOBART reserves the right to make changes or improvements to its products without prior notice.

© HOBART GmbH, Offenburg 2013

---

## Table of Contents

<b>1</b>	<b>Notes on the documentation</b> .....	5
1.1	Application .....	5
1.2	Layout of the documentation .....	5
1.3	Representation convention .....	5
<b>2</b>	<b>Safety instructions and regulations</b> .....	7
2.1	Safety instructions and warning notices .....	7
2.2	Basic safety instructions .....	7
2.3	Property damage .....	10
<b>3</b>	<b>Product description</b> .....	11
3.1	Intended purpose .....	11
3.2	Conformity .....	11
3.3	Designation .....	11
3.4	Technical specifications .....	11
<b>4</b>	<b>Controls</b> .....	12
<b>5</b>	<b>Installation</b> .....	14
5.1	Personnel qualification .....	14
5.2	Special safety instructions .....	14
5.3	Transporting to the installation location .....	15
5.4	Removing the packaging .....	15
5.5	Installing the machine .....	15
5.6	Connecting to the power supply .....	16
5.7	Connecting the water .....	16
5.8	Connecting the drain .....	17
<b>6</b>	<b>Commissioning</b> .....	18
6.1	Personnel qualification .....	18
6.2	Setting the water hardness (optional) .....	18
6.3	Filling the salt reservoir (optional) .....	18
6.4	Filling chemical hoses .....	19
<b>7</b>	<b>Operation</b> .....	21
7.1	Personnel qualification .....	21
7.2	Special safety instructions .....	21
7.3	Notes for optimum washing result .....	21
7.4	Preparations for washing .....	22
7.5	Washing .....	23
7.6	Switch off machine .....	23
7.7	Executing daily cleaning .....	23

**Table of Contents**

---

7.8 Executing weekly cleaning ..... 24

7.9 Top up salt reservoir ..... 24

**8 Settings** ..... 25

8.1 Opening the operator menu ..... 25

8.2 Exiting the operator menu ..... 25

8.3 Making the chemical settings ..... 25

8.4 Setting the water hardness (optional) ..... 26

**9 Problems and malfunctions** ..... 27

9.1 Remediating the problem ..... 27

9.2 Malfunctions ..... 28

**10 Maintenance** ..... 29

**11 Disposal** ..... 30

# 1 Notes on the documentation

## 1.1 Application

This document contains the most important information for the installation and commissioning of the machine by qualified personnel, as well as the information required for day-to-day operation by the operator.

- ▶ Keep the operating instructions and all referenced documents in a safe and accessible place.
- ▶ If you sell the machine, pass on the installation and operating instructions.

## 1.2 Layout of the documentation

Referenced documents are all instructions that describe the installation, operation, maintenance and repair of the device, as well as additional instructions for all accessories used.

### For the operator:





- Operating instructions

### For the specialised tradesman:

- Installation instructions
- Circuit diagram
- Spare Parts Catalogue





## 1.3 Representation convention

### 1.3.1 Symbols used

Symbol	Meaning
	Warning of hazardous electrical voltage
	Beware of explosion
	Warning of risk of crushing
	Beware of hazardous substances

## Notes on the documentation

---

Symbol	Meaning
	Beware of hand injuries
	Beware of slipping
	Beware of hazard area
	Useful additional information and tips

### 1.3.2 Representation in the text

---

Representa- tion	Meaning
<b>NOTE</b>	Important information on machine operation, not a warning notice
▶	Step
↳	Outcome/result
–	Listing 1st level
•	Listing 2nd level





## 2 Safety instructions and regulations

### 2.1 Safety instructions and warning notices

- ▶ During machine operation, observe the general safety instructions and warning notices that precede each action.

#### 2.1.1 Hazard levels

The hazard level is part of the safety instructions and is denoted by the signal word. Potential consequences are differentiated by the choice of signal word.

 <b>DANGER</b>	imminent danger: <b>results in serious</b> physical injury or death
 <b>WARNING</b>	potentially hazardous situation: <b>can cause serious</b> physical injury or death
 <b>CAUTION</b>	potentially hazardous situation: <b>can cause minor</b> physical injury
 <b>NOTICE</b>	potentially harmful situation: <b>can cause damage</b> to the product or other objects

#### 2.1.2 Layout of warning notices

Warning notices are depicted with warning symbols and signal word in the corresponding safety colours.



##### Nature and source of the hazard

Explanation on the nature and source of the hazard

- ▶ Measures for averting the hazard
- ▶ additional measures for averting the hazard, where applicable

## 2.2 Basic safety instructions

### 2.2.1 Product safety

The machine conforms to state-of-the-art technology and the recognised safety regulations. Nonetheless, hazards may occur.

Operate the machine only if it is in perfect working order, and in

## Safety instructions and regulations

compliance with the operating instructions.

All modifications and alterations to the product are reserved for persons authorised by HOBART. Configuration is password-protected.

### 2.2.2 Personnel qualification

- ▶ Observe the regulations on occupational health and safety.
- ▶ Carefully read through the operating instructions before use.

Activity	User group	Qualification/training
<b>Installation</b>	Qualified personnel	Authorised electricians (qualified electricians or persons who have undergone equivalent training)
	Trainees	only under appropriate supervision and inspection
<b>Commissioning</b>	Qualified personnel	Authorised electricians (qualified electricians or persons who have undergone equivalent training)
	Trainees	only under appropriate supervision and inspection
<b>Working on the electrical system</b>	Qualified personnel	Qualified electrician
<b>Operation</b>	Laymen	Training by the operator using the operating instructions, hazard briefing
	Disabled persons	Training by the operator using the operating instructions, hazard briefing
	Children from 14 years old	Training by the operator using the operating instructions, hazard briefing, only under supervision
	Children up to 13 years old	not permitted
<b>Maintenance, repair</b>	Qualified personnel	Hobart Service or Hobart trained service technicians
	Trainees	only under appropriate supervision and inspection

### 2.2.3 Product-specific hazards

***Avoid body parts being crushed or knocked:***

- ▶ Observe the instructions on the packaging for storage, lifting or transporting.

***Avoid risk of explosion:***

- ▶ Do not install machine in a potentially-explosive location.

***Avoid electric shock:***

- ▶ Do not allow water to flow under live components.
  - Make sure the machine is correctly stored (see frost damage section 2.3).
  - Make sure that the machine does not overflow when being filled.
- ▶ Do not damage the connection cable while unpacking.



## Safety instructions and regulations

---

- ▶ Have the machine connected to the power supply by qualified personnel.
- ▶ Have additional feed tanks mounted by qualified personnel.

### ***Avoid fire risk:***

- ▶ Do not allow water to flow under live components.
  - Make sure the machine is correctly stored (see frost damage section 2.3).
  - Make sure that the machine does not overflow when being filled.
- ▶ Have the machine connected to the power supply by qualified personnel.
- ▶ Have all modifications to the machine carried out by qualified personnel.

### ***Avoid chemical burns, sensitisation of the skin, poisoning:***

- ▶ Wear protective equipment (gloves, safety goggles, protective clothing) when handling chemicals.
- ▶ Use only suitable chemicals. Observe the manufacturer's data.
- ▶ Have chemical sensor system set by authorised trained service technicians.
- ▶ Do not open the door during operation, wait for the program to finish.
- ▶ Disconnect the machine from the mains prior to cleaning.
- ▶ For cleaning, wear protective equipment (gloves, safety goggles, protective clothing) when touching parts contaminated by detergent.

### ***Avoid burns, scolds (to the hands):***

- ▶ Do not open the door during operation or the evaporation phase, wait for the program to finish.
- ▶ Disconnect the machine from the mains prior to cleaning.
- ▶ For cleaning, wear protective equipment (gloves, safety goggles, protective clothing) when touching parts contaminated by detergent.

### ***Avoid slipping:***

- ✓ Moisture can build up on the machine floor.
- ▶ Provide a floor covering that is guaranteed to be non-slip in case of moisture.

### ***Residues on the washware, hygiene regulations not maintained.***

- ▶ Hygiene regulations must be maintained and/or demonstrated in accordance with the national provisions.

## 2.2.4 Additional hazards

---

Potential hazards caused by operating resources to be used can be found in the enclosed safety datasheets. Workplaces must be

## Safety instructions and regulations

---

signed accordingly.

### 2.3 Property damage

---

#### ***Avoid frost damage:***

- ✓ Temperatures below 0°C during transport/storage cause function impairments.
- ▶ Prior to installation, store the machine at room temperature (min. 15°C) for 24h.

#### ***Avoid water damage:***

- ▶ Configuration is password-protected and only permitted by authorised service technicians. Observe documentation.
- ▶ Do not operate the machine unsupervised.

#### ***Avoid environmental hazards:***

- ▶ Dispose of the machine correctly and in accordance with environmental regulations (see section [11](#))

## 3 Product description

### 3.1 Intended purpose

The machine is an item of technical equipment intended solely for commercial dishwashing.

The machine is designed solely for cleaning crockery (porcelain, glass, ceramic, temperature-resistant plastics up to 82°C, stainless steel or similar) from the food industry.

Not for washing:

- Containers that do not come into contact with foodstuffs, such as ashtrays, candlesticks, electric appliances etc.
- Animals or textiles
- Foodstuffs intended for further consumption

### 3.2 Conformity

See separate EC Conformity Declaration.

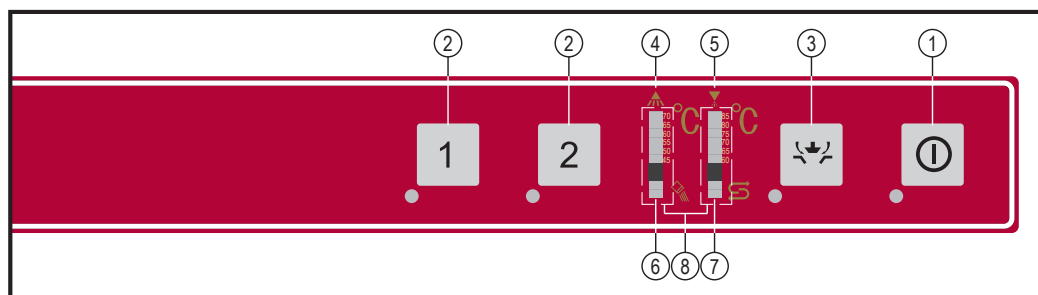
### 3.3 Designation

The rating plate is located at the rear of the machine and contains the following information: model, serial number, date of manufacture, country of manufacture, voltage, connection rating, design-state number and CE mark.

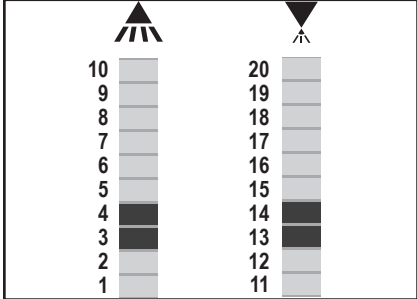
### 3.4 Technical specifications

Dimensions (H x W x D)	820 x 600 x 600 mm (Baraid 400: 700 x 460 x 590)
Water consumption per rinse cycle	2.9 l (Baraid 400: 2.5 l)
Line flow pressure	0.5 – 10 bar min. 0.8 bar with integrated softener
Cold or hot water connection	max. 60°C
Voltage	see rating plate
Total connected load	
Fuse protection	
Tank capacity	10,6 l (Baraid 400: 8 l)
Rack height	425 mm (Baraid 400: 315 mm)
Noise emission (workplace-related emission value)	62 dB (A) for undercounter machine (Baraid 400: 58 dB (A))
Weight	60 kg (Baraid 400: 50 kg)

### 4 Controls



①	ON/Escape key	<p>Pressing this key switches the machine on. LED illuminates after being pressed.</p> <ul style="list-style-type: none"> <li>– LED flashing = machine being filled and heated.</li> <li>– LED permanently lit = machine is ready for operation.</li> </ul> <p>In case of operating error or faults, the machine can be switched off immediately without the drain cycle by pressing this key. After switch off, however, the machine is not voltage free.</p>
②	Program keys	<p>Press these keys to choose between short program (1) and standard program (2). The corresponding LED illuminates.</p>
③	Drain/OFF key	<p>Pressing and holding (3 seconds) this key activates the automatic self-cleaning cycle and then switches off the machine automatically. On machines with drain pump, the tank is emptied. After switch off, however, the machine is not voltage free.</p>
④	Temperature display, washing	
⑤	Temperature display, rinsing	
⑥	Salt deficiency display	Indicates regenerating salt deficiency in the water softener (if built-in).
⑦	Regeneration display	<p>Water softener regeneration active. Program run time can extend.</p>

⑧ Setting functions display	<p>The individual LEDs are also used for various settings and special functions.</p>  <p><b>Left display:</b> LEDs 1 to 5 illuminate depending on the function selected.</p> <ul style="list-style-type: none"><li>1 = Detergent dosing time</li><li>2 = Rinse aid dosing time</li><li>3 = Hardness setting</li><li>4 = Hose fill, detergent</li><li>5 = Hose fill, rinse aid</li></ul> <p><b>Right display:</b> Indicates the set value.</p>
-----------------------------	--

## 5 Installation

### 5.1 Personnel qualification

Installation must only be carried out by qualified personnel (see section 2.2.2).

### 5.2 Special safety instructions



#### **WARNING**

##### **Risk of electric shock, fire hazard**

Water (frost damage, machine overflow) flowing over live components can cause injury from electric shock or fire.

- ▶ Do not allow water to flow under live components.
- ▶ Make sure the machine is correctly stored (see frost damage section 2.3).
- ▶ Make sure that the machine does not overflow when being filled.



#### **CAUTION**

##### **Risk of being crushed or knocked**

When being lifted or transported, the machine can overturn or fall and cause injury.

- ▶ Observe the instructions on the packaging for storage, lifting or transporting.



#### **WARNING**

##### **Risk of explosion**

Installing the machine in a potentially explosive location can cause explosion and serious injury from ejected parts.

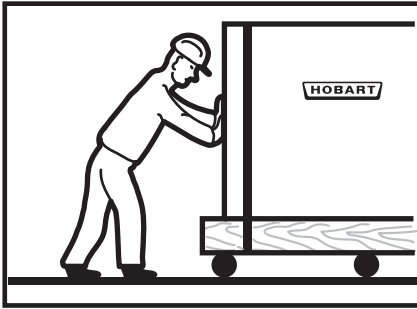
- ▶ Do not install machine in a potentially-explosive location.

#### **NOTICE**

##### **Frost damage**

Temperatures below 0°C during transport/storage cause function impairments.

- ▶ Prior to installation, store the machine at room temperature (min. 15°C) for 24h.



### 5.3 Transporting to the installation location

- ▶ Where possible transport packed on the pallet.
- ▶ Use suitable transport means (elevating truck, crane etc.).
- ▶ If using a forklift, shim the machine with wooden trusses.

### 5.4 Removing the packaging

#### CAUTION

##### Risk of electric shock, fire hazard

When the machine is unpacked, the connection cable can become damaged and cause injury from electric shock or fire.

- ▶ Do not damage the connection cable while unpacking the machine.
- ▶ Take cable measurement BGV A3.

- ▶ Remove packaging materials and accessories from the machine.
- ▶ Inspect the machine for possible transport damage.



### 5.5 Installing the machine

#### WARNING

##### Risk of electric shock, fire hazard

Water ingress can cause short circuit and mortal danger from electric shock and fire.

- ▶ Machine must be shimmed and be accessible only from the front.
- ▶ If the machine cannot be shimmed, a rear cover must also be ordered.

Wall clearance is not required.

- ▶ Align machine by turning the adjusting feet according to the spirit level.
- ▶ Distribute machine weight equally onto all feet.

#### NOTICE

##### Property damage

Vapour may escape from the dishwasher door and damage the furniture.

- ▶ Adjacent furniture has to be protected to prevent swelling.



### 5.6 Connecting to the power supply



#### WARNING

##### Risk of electric shock


Failure to connect properly to the power supply can cause mortal danger from electric shock.

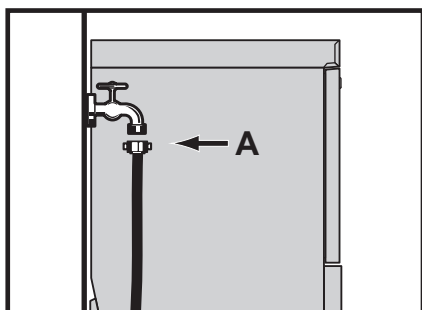
- ▶ Have the machine connected to the power supply by an authorized technician according to the local and national codes. For Australia: in accordance with AS/NZS3500.1

The power supply must be consistent with the data on the rating plate.

Modification to an alternative power supply is possible as per the variants on the circuit diagram. Connection diagrams are located adjacent to the connection terminals.

- ▶ Fuse protection and cable cross section shall be executed accordingly.
- ▶ The supply cord must be connected via a cut-out device (main switch or accessible plug device).

**NOTE: In accordance with EN 60 335 (VDE 0700), the device must be connected to equipotential bonding. The connection screw () is located beside the cable inlet.**



### 5.7 Connecting the water

**NOTE: The machine must be operated with potable water.**

- ▶ Connect to warm water, if possible (max. 60°C).

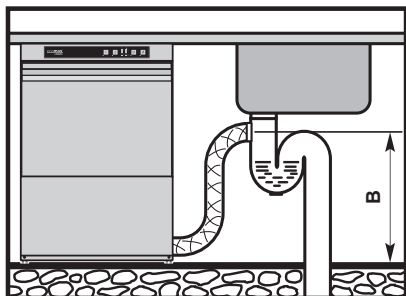
Water hardness:

- Machines without softener: max. 1 °d = 0.18 mmol/l.
- Machines with softener: max. 30 °d = 5.3 mmol/l.

Line flow pressure:

- Machines without softener: 0.5 – 10 bar
- Machines with softener: 0.8 – 10 bar
- If the line flow pressure is above 10 bar: provide pressure reducing valve.
- ▶ Connect the union nut “A” (3/4”) of the water supply hose to the site shut off valve.
- ▶ Do not kink or cut the water supply hose.
- ▶ Any required extension must be executed using a suitable pressure hose, e.g. 324088-1.





## 5.8 Connecting the drain

The connection between machine and site drain “**B**” must not exceed the max. height of 0,75 m (Baraid 400: 0,6 m).

- ▶ Do not kink or lay the drain hose loose on the ground.

## 6 Commissioning

### 6.1 Personnel qualification

Commissioning must only be carried out by qualified personnel (see section 2.2.2).

### 6.2 Setting the water hardness (optional)

Machines with integrated softener have a water hardness setting.

**Note: The softener must be set to the existing water hardness (ask at the local water works).**

- ▶ Set hardness range according to 8.4.

### 6.3 Filling the salt reservoir (optional)

#### NOTICE

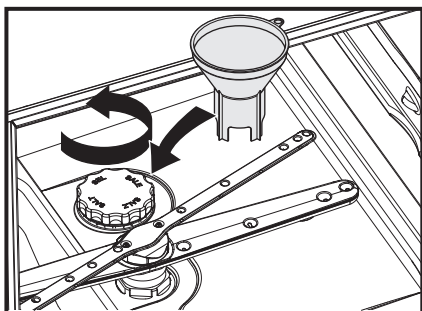
##### Property damage

Accidentally filling the salt reservoir with detergent will damage the water softener.

- ▶ Do not fill the salt reservoir with detergent.



**Unlike the regular salt fill, additional water has to be added during the commissioning procedure.**



- ▶ Open the door.
- ▶ Unscrew the salt reservoir lid and add 1.5 kg of granular (2-8 mm) regenerating salt (do not use salt tablets).
- ▶ Fill up the reservoir with potable water (only at commissioning).
- ▶ Make sure the lid seal is free of dirt and salt.
- ▶ Screw lid back on and tighten.

**NOTICE**
**Property damage**

Salt residues on the tank floor cause corrosion damage.

- ▶ Remove salt residues by hand.
- ▶ On completion of the commissioning procedure, start a wash cycle to remove all traces of salt if necessary.

## 6.4 Filling chemical hoses



We recommend the use of HOBART Hyline detergent and rinse aid.


**CAUTION**
**Chemical burns, sensitisation of the skin, poisoning**

The use of unsuitable chemicals can cause injury.

- ▶ Use only commercial detergent and rinse aid.
- ▶ Observe the manufacturer's application and safety instructions.


**WARNING**
**Chemical burns, sensitisation of the skin, poisoning**

Filling the chemical container or chemical hoses with detergent or rinse aid for the first time incorrectly can cause serious injury.

- ▶ Wear protective equipment (gloves, safety goggles, protective clothing) when handling chemicals.

### 6.4.1 Provisioning external chemical canisters

**Preparing the detergent:**

- ✓ Suction height of dosing pump: max. 1.5 m.
- ▶ Place suction hose **without** colour marking at the suction valve at the bottom of the external reservoir.

**Preparing the rinse aid:**

- ✓ Suction height of dosing pump: max. 1.5 m.
- ▶ Place suction hose with **blue** marking at the suction valve at the bottom of the external reservoir.

### 6.4.2 Filling the intake hoses

**NOTE: Possible only when the machine is switched off.**

- ▶ Open the door.
- ▶ Press the two PROGRAM keys ② at the same time.

- ↳ Key LEDs illuminate.
- ↳ In the display ⑧, LEDs 1 and 11-20 illuminate (depending on basic setting).
- ▶ Press PROGRAM key “1” repeatedly until LED 3 illuminates in the display ⑧.
- ▶ Close the door.
- ▶ Press PROGRAM key “1” again.
  - ↳ Display ⑧ LED 4 illuminates.

***Filling the detergent hose:***

- ▶ Press PROGRAM key “2” and hold down until the intake hose is visibly filled.
  - ↳ The hose is being filled.
  - ↳ Running light display ⑧ LEDs 15–18.

Releasing the key interrupts the filling process.

***Filling the rinse aid hose:***

- ▶ Press PROGRAM key “1” again.
  - ↳ Display ⑧ LED 5 illuminates.
- ▶ Press PROGRAM key “2” and hold down until the intake hose is visibly filled.
  - ↳ The hose is being filled.
  - ↳ Running light display ⑧ LEDs 15–18.

Releasing the key interrupts the filling process.

***Aborting the hose filling process:***

- ▶ Open the door or do not press any key for 30 seconds.

## 7 Operation

### 7.1 Personnel qualification

The machine must be operated by instructed personnel (see section 2.2.2).

### 7.2 Special safety instructions



#### CAUTION

##### **Chemical burns, sensitisation of the skin, poisoning**

If the door is opened during operation, washing water can spurt out and cause injury.

- ▶ Do not open the door during operation, wait for the program to finish.



#### WARNING

##### **Slipping**

Moisture can build up on the machine floor and cause slipping.

- ▶ Provide a floor covering that is guaranteed to be non-slip in case of moisture.

### 7.3 Notes for optimum washing result

The rinse result is significantly affected by the water quality. If the mineral content is high, the minerals dissolved become visible on the glasses in the form of spots and streaks during the drying process.



**Authorised HOBART service personnel can determine the content of minerals by measuring the electrical conductivity. Values of less than 80 µS/cm are non-critical for rinsing glasses and cutlery. If the values are higher, we recommend the use of a HOBART HYDROLINE desalination cartridge or a reverse osmosis system.**

If you have any questions, please contact your authorised HOBART service partner.



**We recommend the use of special HOBART glass racks. HOBART racks hold the glasses in slightly inclined positions – this improves the rinse efficiency.**

To avoid unpleasant smelling glasses, only chlorine-free detergent

should be used for washing the glasses.

Before washing new glasses the first time with a commercial glass washer, intensive basic cleaning is mandatory to reduce the greasy film which is on most glasses for protection during production. We recommend this basic clean is carried out by hand (wear gloves) with a higher detergent concentration (minimum 10 g/l) in a sink using a brush.

## 7.4 Preparations for washing

### 7.4.1 Preparing the machine

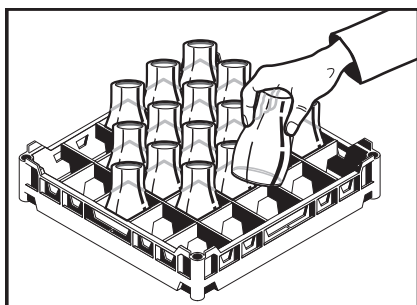
- ▶ Check correct position of wash/rinse arms and strainers.
- ▶ Open site shut-off valve.
- ▶ Turn on main switch or insert the plug.
- ▶ Check level of detergent and rinse aid containers.
- ▶ Close the door.
- ▶ Press the ON/OFF key .
  - ↳ Machine is switched on.
  - ↳ The tank is filled.

During the filling and heating processes, the key LED flashes. This process can take several minutes.

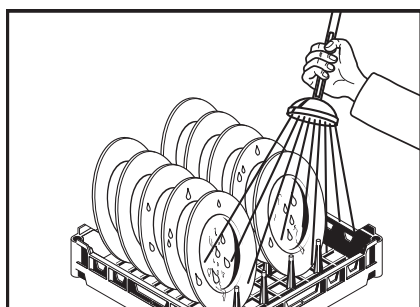
As soon as the LED is permanently lit, the machine is ready for operation.

### 7.4.2 Preparing the washware

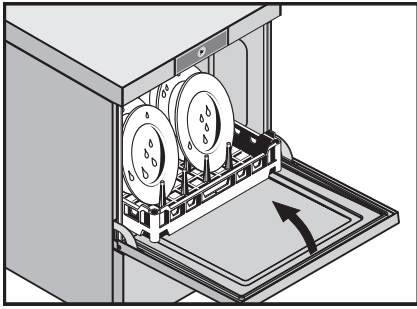
- ▶ Place washware face down in the rack.



- ▶ Remove any food debris.
- ▶ Rinse off washware.



## 7.5 Washing



- ▶ Slide rack into the machine and close the door.

- ▶ Start either program 1 or 2 via the respective key.

Key "1" = short program

Key "2" = standard program

↳ While the program is running, the program key LED flashes.

↳ As soon as the LED is permanently lit, the rinsing process is complete.

- ▶ Open the door and remove the rack.
- ▶ Allow the washware enough time to dry.

## 7.6 Switch off machine

- ▶ Close the door.
- ▶ Press the DRAIN key ③ for three seconds.
  - ↳ During evacuation, the DRAIN key LED illuminates.



**During the drain cycle, the machine interior is cleaned automatically. On machines with drain pump, the tank is emptied. At the end of the program, the machine switches off automatically. Then remove any food debris.**

- ✓ When the machine has been switched off:
  - ▶ Turn off main switch or remove the plug.
  - ▶ Close on-site shut-off valve.

## 7.7 Executing daily cleaning

### NOTICE

#### Property damage

The use of unsuitable agents can cause corrosion damage.

- ▶ Do not use any chloric, acidic or metal-containing additives to clean the machine.
- ▶ Do not use metal brushes.

- ▶ Open the door.
- ▶ Remove sieves and clean. **Make sure that food debris does not enter pump intake!**
- ▶ Clean machine interior.
- ▶ Replace sieves.
- ▶ Leave the door open for ventilation.

## 7.8 Executing weekly cleaning

---

- ▶ Push and hold the clip fastener on the wash and rinse arms. Remove the wash and rinse arms and clean.
- ▶ Reinsert wash and rinse arms.

## 7.9 Top up salt reservoir

---

- ✓ The salt deficiency display © flashes during operation.
- ▶ Top up salt reservoir, see [6.3](#).
  - ↳ The display takes a few minutes to extinguish.



## 8 Settings

The machine can be operated as soon as the commissioning procedure is complete.

The following settings can be individually set as required using the operator menu.

### 8.1 Opening the operator menu

**NOTE: Possible only when the machine is switched off.**

- ▶ Open the door.
- ▶ Press the two PROGRAM keys ② at the same time.
  - ↳ Key LEDs illuminate.
  - ↳ In the display ⑧, LEDs 1 and 11-20 illuminate (depending on basic setting).

### 8.2 Exiting the operator menu

- ▶ Open the door and close it again, or do not press any key for 30 seconds!
  - ↳ The display switches off.
  - ↳ The configured settings will be saved.

### 8.3 Making the chemical settings

 **CAUTION**

**Chemical burns, sensitisation of the skin, poisoning**

The use of unsuitable chemicals can cause injury.

- ▶ Use only commercial detergent and rinse aid.
- ▶ Observe the manufacturer's application and safety instructions.



Setting	Selection
Detergent dosing	One LED = approx. 3.5 s ≈ 1 g/l Factory setting: LED 11-13 = 10.5 s ≈ 3 g/l Possible range: 0–10 g/l
Rinse aid dosing	One LED = approx. 2.5 s ≈ 0.1 g/l Factory setting: LED 11-13 = 7.5 s ≈ 0.3 g/l Possible range: 0–1.0 g/l

### ***Making the settings:***

- ▶ Open the operator menu, see section 8.1.
  - ↳ Key LEDs illuminate.
  - ↳ In the display Ⓢ, LEDs 1 (left) and 11-20 (right) illuminate.
  - ↳ The right display shows the set value for the cleaner dosing time.

### ***Setting the detergent dosing quantity***

- ▶ Press PROGRAM key “2” until the desired value is displayed.

### ***Setting the rinse aid dosing quantity***

- ▶ Press PROGRAM key “1” again.
  - ↳ In the display Ⓢ, LEDs 1 and 2 (left) and 11-20 (right) illuminate.
  - ↳ The right display shows the set value of the rinse aid dosing time.
- ▶ Press PROGRAM key “2” until the desired value is displayed.

## 8.4 Setting the water hardness (optional)

With optional softener only.

**Note: The softener must be set to the existing water hardness (ask at the local water works).**

LED “on”	Hardness range	Water hardness
11	H01	up to 7°dH
11 and 12	H02	8 to 14°dH
11 to 13	H03	15 to 21°dH
11 to 14	H04	22 to 30°dH

### ***Making the settings:***

- ▶ Open the operator menu, see section 8.1.
  - ↳ Key LEDs illuminate.
  - ↳ In the display Ⓢ, LEDs 1 (left) and 11-20 (right) illuminate.
- ▶ Press program key “1” again.
  - ↳ In the display Ⓢ, LEDs 1 and 2 (left) and 11-20 (right) illuminate.
- ▶ Press program key “1” again.
  - ↳ In the display Ⓢ, LEDs 1 to 3 (left) and 11-20 (right) illuminate.
  - ↳ The right display indicates the set water hardness value.
- ▶ Press PROGRAM key “2” until the desired value is displayed.

## 9 Problems and malfunctions

### 9.1 Remediating the problem

#### 9.1.1 Poor wash result

Nature of the problem	Possible cause	Remedy
Washware not clean.	Wash arms stiff (you should be able to turn them easily by hand).	Remove wash arms and clean them thoroughly.  Also check water outlet from machine to wash arms is clear.
	Wash arm nozzles are clogged (visual check).	Remove wash arms, remove cleaning caps and rinse wash arms thoroughly until all contamination is removed.  Replace cleaning caps.
	Rinse nozzles clogged (usually by lime deposit).	Remove rinse arms and decalcify them in separate container.  Check site softener system for function.
	Regeneration concentration is too low or too high.	Check detergent concentration setting.
	Coarse strainer clogged.	Remove, empty and clean strainer.
	Wrong program selected for heavily soiled washware.	Select program with longer wash cycle.
Washware dries poorly.	Rinse aid dosing too low.	Increase concentration (see operating instructions).
	Washware still greasy.	Detergent concentration too low: increase (see operating instructions).  Check if detergent is appropriate. If not, choose a stronger one.  Drain contaminated water and refill machine. Clear washware more thoroughly beforehand.
	Rack is not suitable for type of dishes (sloping).	Use appropriate racks to create a sloping position which allows water to drain away from cavities.
	Washware remains in the machine too long at the end of rinse cycle.	Remove washware as soon as cycle is completed to enable it to dry.

## Problems and malfunctions

Nature of the problem	Possible cause	Remedy
Streaks and stains on washware.	Rinse aid concentration too high (stripe or bubble formation).	Reduce concentration (see operating instructions).
	Hard water or high mineral content.	Check water quality.  Every local water works holds data on the composition of the water they supply and will provide these on request.  Reference values: Ideal hard water value: 0 - 3 °d (total hardness). Ideal mineral content value: for glasses, max. conductivity 100 µS/cm, for dishes, still viable to max. 400 µS/cm.
	Rack is not suitable for type of dishes (sloping).	Use appropriate racks to create a sloping position which allows water to drain away from cavities.
	Inadequate rinse aid dosing causes stains.	Increase rinse aid dosing (see operating instructions).
	Machines with integrated softener: use of wrong salt (e.g. tablets).	Do not use salt tablets.

### 9.1.2 Other problems

Nature of the problem	Potential causes	Remedy
Glasses are totally or partially cloudy.	Surface of glasses is rough and porous, this is called glass corrosion.	Use new glasses, this is not caused by a malfunction on the machine.
Glass/dish breakage.	Use of unsuitable dish or glass racks.	Use suitable racks.

## 9.2 Malfunctions

Nature of the problem	Potential causes	Remedy
Machine switches off suddenly during operation.	Machine coupled to a maximum system or locked against other current consumers.	Have machine connected separately (electrician!).
	A site fuse has tripped.	Check site fuses.
	Temperature sensor/pressure transmitter, boiler or tank defective.	Contact your Service Partner.
All 4 key LEDs flash.	Controller faulty	Contact your Service Partner.

## 10 Maintenance

---



In order to maintain the warranty, as well as a permanently safe, efficient, and trouble-free operation of the machine(s), the required maintenance must be carried out by authorized service technicians.

We therefore recommend the conclusion of an inspection and maintenance contract, which guarantees qualified support by specially trained service technicians according to a time schedule based on the operating conditions.

## Disposal

---

### 11 Disposal

---



The machine operator is responsible for disposing of the machine and its operating materials correctly and in accordance with environmental regulations. Observe the national and local legal provisions and regulations.



**HOBART GmbH**

Robert-Bosch-Str. 17  
77656 Offenburg  
Deutschland  
Tel.: +49 (0)781.600-0  
Fax: +49 (0)781.600-23 19  
E-Mail: [info@hobart.de](mailto:info@hobart.de)  
Internet: [www.hobart.de](http://www.hobart.de)

**Hobart UK.**

Southgate Way,  
Orton Southgate,  
Peterborough  
PE2 6GN  
United Kingdom  
Tel.: +44 (0)844 888 7777  
Republic of Ireland: +353 (0)1246 0248  
Fax: +44 (0)1733 361 347  
E-mail: [sales@hobartuk.com](mailto:sales@hobartuk.com)  
Internet: [www.hobartuk.com](http://www.hobartuk.com)

**Hobart Nederland BV**

Pompmolenlaan 12  
3447 GK Woerden  
Telefoon +31 (0)348 462626  
Fax: +31 (0)348 430117  
E-mail: [info@hobartnederland.nl](mailto:info@hobartnederland.nl)  
Internet: [www.hobartnederland.nl](http://www.hobartnederland.nl)

**Hobart Norge**

Gamle Drammenvei 120  
N-1363 Høvik  
Tlf.: +47-67109800  
E-post: [post@hobart.no](mailto:post@hobart.no)  
Hjemmeside: [www.hobart.no](http://www.hobart.no)