



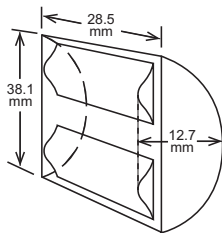
HOSHIZAKI

KM-55B

Crescent EDGE Ice Make (Self Contained)

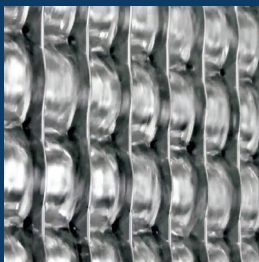


Production Capacity	Up to 53 kg/24h*
Storage Bin Capacity	Up to 23 kg
Outside Dimensions W x D x H	605 x 617 x 842 mm
Electrical Supply	220-240V, 50 Hz 220-240V, 60 Hz
Electrical Capacity	50 Hz: 0,288 kW 60 Hz: 0,434 kW
Weight Gross / Net	58/46 kg
Condenser	Air-Cooled
Refrigerant	R134a - CO ₂ eq:800 kg
Type of Ice	Crescent EDGE
Air Filter	Removable air filter



*Air Temperature 10°C / Water Temperature 10°C. Based on 50 Hz air cooled model.

Double sided ice making system with stainless steel for better longevity and hygiene



Versatile usage for drinks, display, bottle cooling and more



Audible alert when the machine is in need of service with the EverCheck™ control board



Subject to technical alterations

Hoshizaki Europe B.V.
Headquarters Export EMEA
Burgemeester Stramanweg 101
1101 AA Amsterdam
The Netherlands

sales@hoshizaki.nl
Tel. +31 (0)20 6918499

Please visit our website for further information:
www.hoshizaki-europe.com



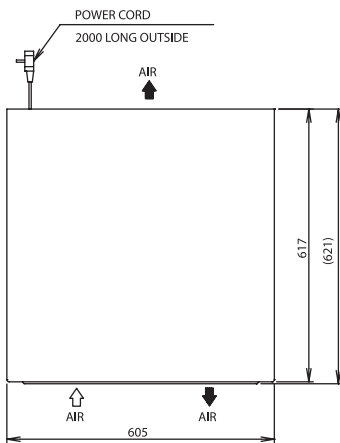


HOSHIZAKI

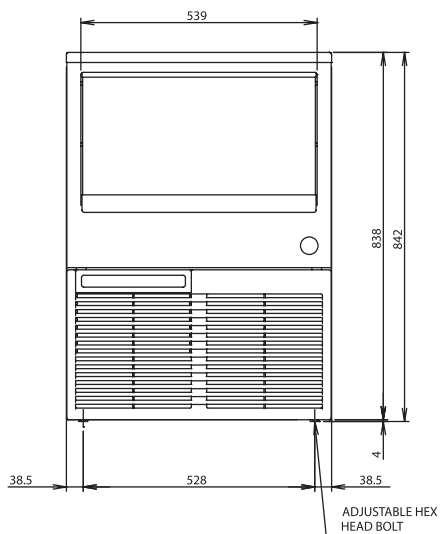
KM-55B

Technical Drawings

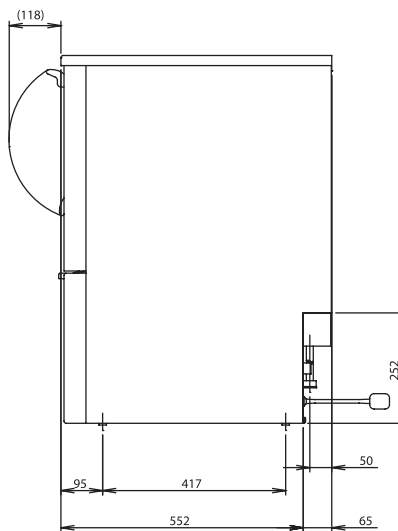
Top View



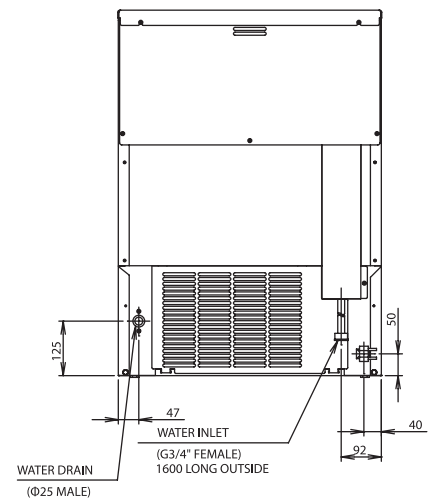
Front View



Side View



Rear View



Specifications: mm
Subject to technical alterations

Hoshizaki Europe B.V.
Headquarters Export EMEA
Burgemeester Stramanweg 101
1101 AA Amsterdam
The Netherlands

sales@hoshizaki.nl
Tel. +31 (0)20 6918499

Please visit our website for further information:
www.hoshizaki-europe.com

