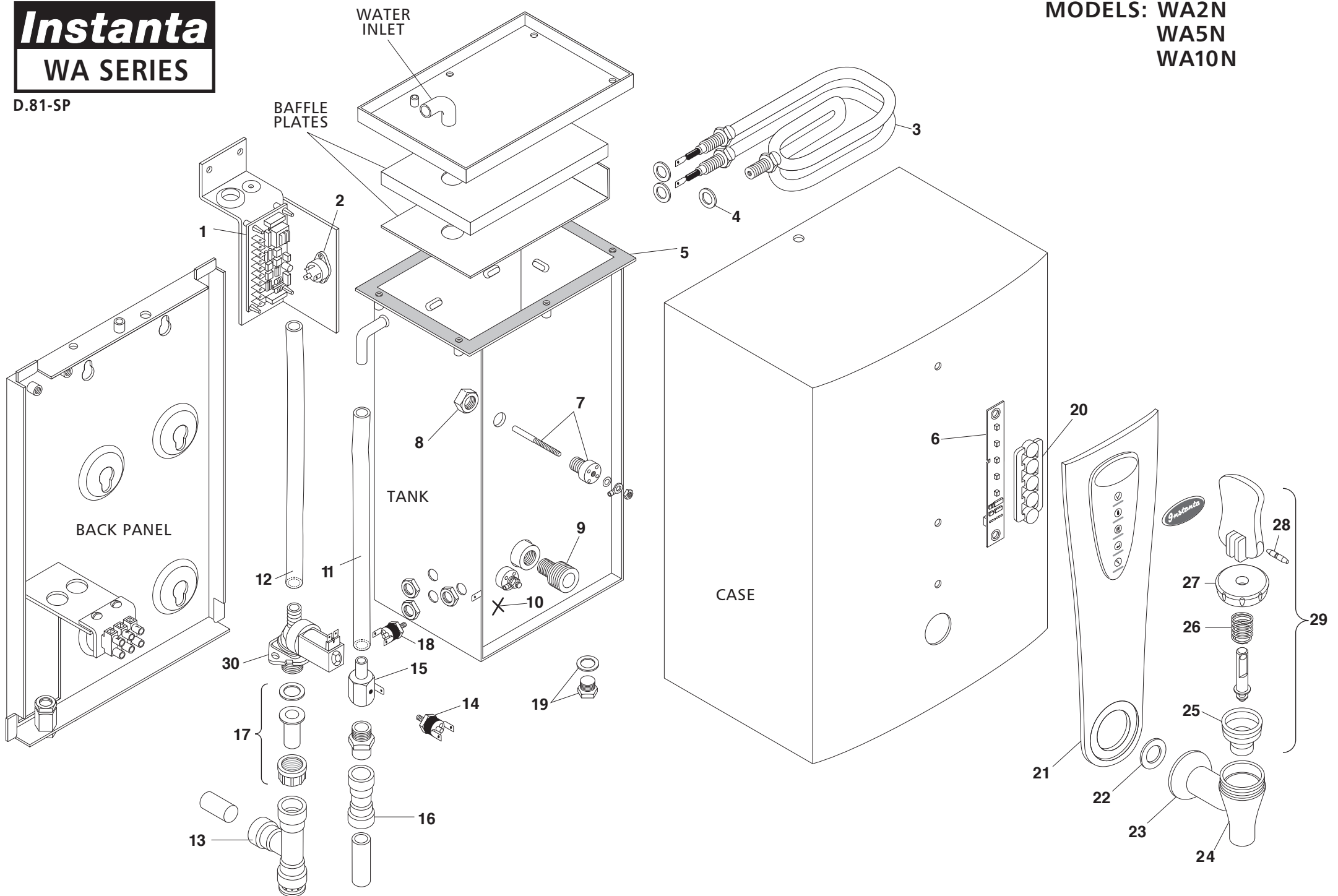


# Instanta

## WA SERIES

D.81-SP

MODELS: WA2N  
WA5N  
WA10N



**WA-N Series Wall-Mount Auto-Fill Water Boiler (D.81-SP)**

Drawing No	Description	Part No	Price (£)
1	Main Control Circuit Board	XE150B	95.41
2	Triac	XE851	15.08
3	Element	XEN175 (WA5 & 10) XEN120 (WA2N)	69.08 46.27
4	Element Washer (silicone rubber)	XEN100/W	1.31
5	Tank Gasket	WEN2G (WA2N) WEN5G/N (WA5N) WEN10G (WA10N)	15.50 17.63 20.95
6	LED PCB	XE882	18.51
7	Probe Assembly	PRB1/A	16.25
8	Hex Nut	T514/P	1.92
9	Brass tank adaptor	XTP1019/HS	6.33
10	Thermistor	XE853	12.99
11	Overflow tube	SR9	10.54
12	Water feed pipe	ACC309/S	8.70
13	John Guest 15mm Push-fit "T" coupling	WMB15/T	6.57
14	Over-boil safety cut-out (set @ 90°C)	XETR7	8.70
14	Dual-pole safety cut-out (from Jan 2014 – check serial number) (WA2N – 2WA01476, WA5N – 5WA04010, WA10N – 10WA01377)	XETR6	10.95
15	Brass 1/4"bsp to 15mm push-fit	SRF15	6.67
16	John Guest 15mm straight push-fit	WMB15/S	3.33
17	3/4"BSP nut, washer & brass tail push-fit	WMB34/A	8.69
18	Boil-dry safety cut-out (set @ 120°C)	XETR5	8.70
19	Brass Tank Drain	WBA247/C	4.83
19	Fibre Washer	WBA501	1.07
20	LED Diffuser Bar	WMB320/LP	3.95
21	Plastic front fascia	WMB320	19.95
22	Tap washer-seal	XWSH2	1.45
23	Grey plastic tap collar	XEN304	5.69
24	Complete draw-off tap c/w tap extrn's	WTP500	101.45
25	Silicone seat-cup tap washer	TP1001/L	8.29
26	Tap Spring	TP1007/L	5.72
27	Tap bonnet	HSTP100	14.64
28	Bent tap pin	TP1030	5.43
29	Upper tap handle assembly complete	XTP1050/A	34.00
30	Cold water inlet solenoid valve	SOL12	25.48