



solo per professionisti

Authorized Distributor:
FOODSERVICE EQUIPMENT MARKETING
 10 CARRON PLACE-KELVIN IND.ESTATE G75 0YL GLASGOW()
 TEL./FAX. 0044-1355 244111 / 0044-1355 241471
 E-mail: dohertyj@fem.co.uk



Sirman Slicers , model Mirra 300:

- Anodized cast aluminium alloy.
- Great distance between blade and motor for easy cleaning.
- Ventilated motor.
- Forged, hardened large thickness blades.
- Carriage running on self-lubricating bushes and lapped pins.
- Stainless steel screws and slice deflector.
- Strong thickness gauge support.
- Cast-in sharpener assembly.
- Compact dimensions and great cutting capacity.
- CE professional with device for releasing the carriage.
- Teflon coated or toothed blades are available on demand.
- 25° blade inclination.



Enclosed and sealed belt pulley standard

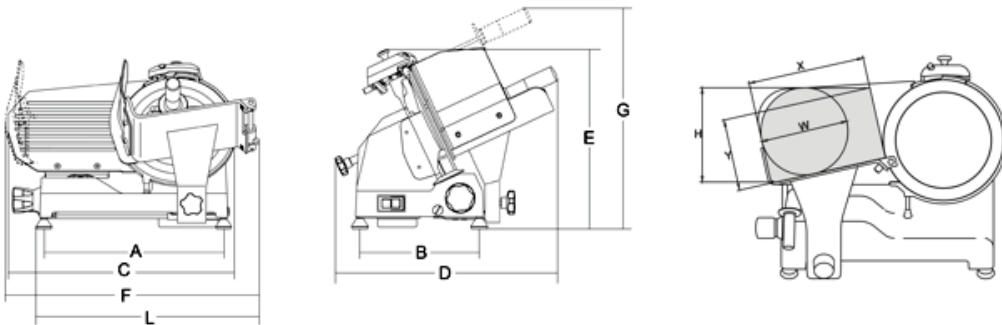


More space between blade and body machine



Device for releasing the carriage

Data sheet



Technical data

Model	Mirra 300
Blade	mm 300 - inch. 12
Motor	watt 210 / Hp 0,29
Cut thickness	mm 13
Run of carriage	mm 285
Hopper	mm 250x275
A	mm 435
B	mm 295
C	mm 600
D	mm 610
E	mm 420
F	mm 640
G	mm 510
L	mm 535
X	mm 250
Y	mm 185
H	mm 225
W	mm 210
Net weight	kg 20,5
Shipping	mm 800x600x520
Gross weight	kg 23,5
HS-CODE	84385000