

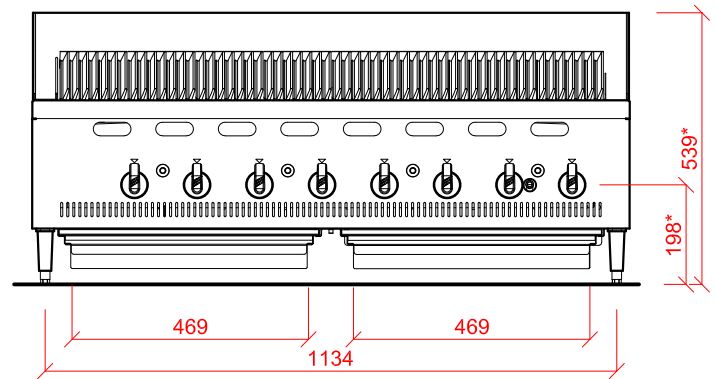
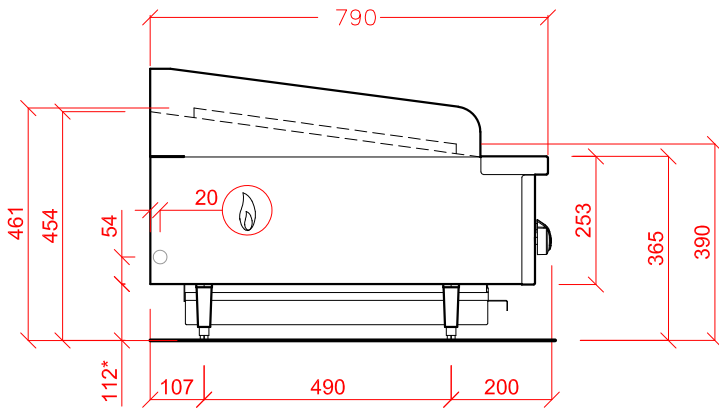
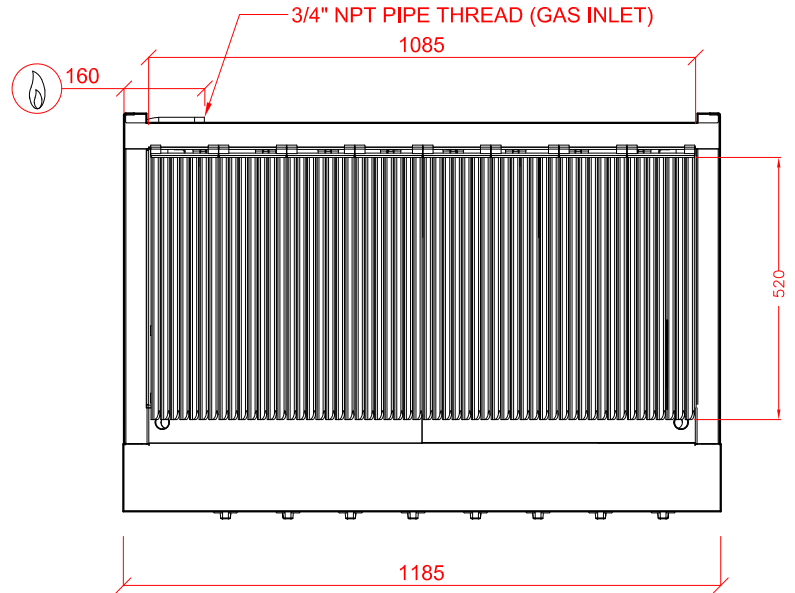
COOKING EQUIPMENT
CHARBROILER RANGE



HOBART UK,
 SOUTHGATE WAY,
 ORTON SOUTHGATE,
 PETERBOROUGH.
 PE2 6GN
 0844 888 7777
 www.hobartuk.com

Charbroiler Range - Nat. Gas

BCB1200-1



Device Number

Description

Gas

Notes

BCB1200-1

GAS CHARBROILER -
 (Nat. Gas).
 (WITH PIEZO IGNITION).

29.6kW /
 (101,025BTU/H)

22mm CONNECTION, 20m BAR

SPECIAL NOTE:
 INSTALLATION MUST COMPLY
 WITH CURRENT GAS SAFETY
 REGULATIONS AND BS 6173
 UNIT WEIGHT - 170kg