

Winterhalter PT-L

Rush hour in the kitchen. The Winterhalter PT is at the heart of it all. Racks with dirty dishes are loaded onto the inlet table. The wash cycle starts. The clean dishes are removed on the other side. Everything is perfectly coordinated. No compromises. The PT Series makes this possible: designed to meet the highest demands and streamlined for maximum economy. An all-rounder for a wide range of wash items. Simple, efficient, fast. And totally reliable. Available in three machine sizes. A real workhorse.



WASHING PERFORMANCE

- Two S-shaped wash fields (at the top and the bottom) with special jet geometry: easily removeable (clip System), flow optimisation for area-wide distribution of the water
- VarioPower for highest cleaning power with variable pressure adjustment
- Individual standard options for the standard programmes (wash time, temperature, pressure, detergent / rinse aid dosing)
- Quadruple filtration system (consists of four components: strainer, filter cylinder, filter bottom, mediamat) and clouding sensor for continuously clean wash water
- Rinse aid dosing device for fast drying and brilliant shine
- Additional programmes (intensive, silence, ECO and short programme), tank water exchange programme and soaking programme for time and labour effort
- **Optional:**
 - Detergent dosing device for best washing result with minimal use of detergent
 - Integrated softener for reduction of limescale deposits in the machine

HYGIENE

- Deep-drawn hygiene tank and hygiene tank heater for convenient cleaning and perfect hygiene
- Thermostop to guarantee washing with the correct rinse water temperature
- Acoustic and visual message if one of the canisters is empty
- Menu-driven self-cleaning programme
- Hygiene logbook and display of operating data for documentation
- Detergent sensor for reliable monitoring of the dosage
- A0-30, A0-60, HighTemp and NSF of special requirements

ECONOMIC EFFICIENCY

- EnergyLight: waste water heat recovery system to reduce energy costs
- Active energy management for optimal use of the available energy
- Note on saving energy and stand-by mode to protect unnecessary loss of energy
- CONNECTED WASH: connection via WLAN is possible for more safety and efficiency*
- **Optional:**
 - EnergyPlus: exhaust air heat recovery to reduce steam and energy costs**
 - ClimatePlus: heat pump for maximal reduction of steam and energy costs**
 - Driven rinse system to reduce rinse water volume
 - Interface certified according to DIN 18875 for connection to external energy management

USABILITY

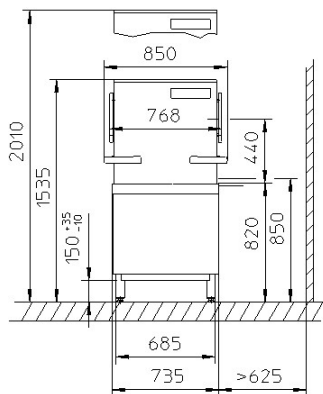
- Smart touch display with robust glass surface and single-button operation
- Three simple operating levels (user, chef and service technician) and video-enhanced recommendations
- Shows the tank and rinse water temperature to check the hygiene safety
- Detailed error display with error code and text
- Timer for automatic start up and close down
- Hood start: washing programme starts by closing the hood
- Drain pump for automatic drain of the machine at the end of operation
- Basic cleaning and descaling programme
- **Optional:**
 - Automatic hood: automatic opening of the hood, closing of the hood by pressing a button
 - Increased boiler heating for shorter heat-up time

* Not available in all markets

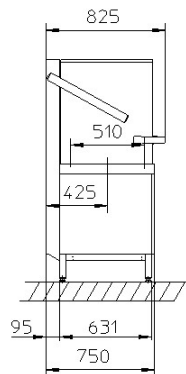
**Only with cold water connection

Winterhalter PT-L

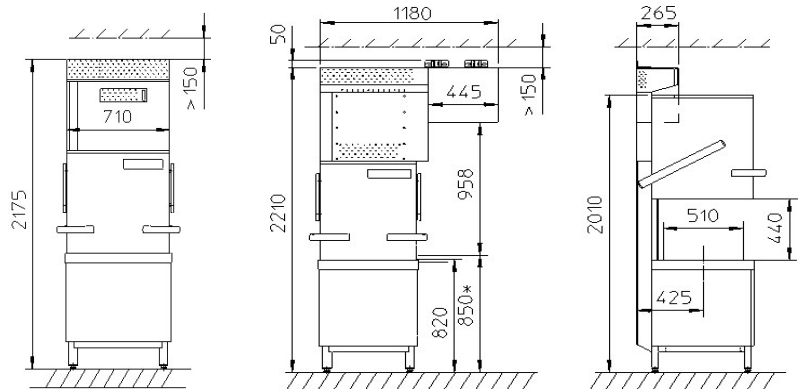
PT-L Standard, Cool



PT-L EnergyPlus



PT-L ClimatePlus



Dimensions

Rack dimensions: 500 x 500 mm
 Wall spacer ClimatePlus: 0 – 100 mm
 Drinking water connection: G ¾"
 Waste water connection: 23,6 mm

Wash cycle¹

Dishwasher: 50 – 164 sec.
 Glasswasher: 47 – 164 sec.
 Bistro warewasher: 55 – 124 sec.
 Cutlery washer: 171 – 327 sec.

Maximum theoretical power

(Short programme / P1 / P2 / P3)
 Dishwasher: 72 / 45 / 32 / 22 (racks/h)
 Glasswasher: 77 / 22 / 32 / 49 (racks/h)
 Bistro warewasher: 66 / 40 / 32 / 29 (racks/h)
 Cutlery washer: 21 / 11 (racks/h)

Rinse water volume² (depending on the selected programme)

Glasswasher, dishwasher and bistro warewasher⁽³⁾: from 2,4 (2,0) l per rack
 Cutlery washer⁽³⁾: from 3,8 (3,4) l per rack
 Glasswasher Cool⁽³⁾: from 3,8 (3,4) l per rack

Thermal radiation⁴ per machine (depending on the selected programme and variant)

Sensitive / latent (EnergyPlus)
 Dishes / Glass / Bistro: 0,8 / 0,3 (0,6 / 0,2) kW
 Cutlery: 0,7 / 0,2 (0,6 / 0,1) kW

Cerificates

CB, WRAS, Hygiene Certificate according to DIN SPEC 10534

Electrical values

Voltage	Fuse protection	Total connected load with	
		6,4 kW boiler heating element	10,8 kW boiler heating element
380 V / 3 N~ / 50 – 60 Hz	16 A	7,1 kW ⁵	8,3 kW
	16 A	7,9 kW / Cool: 8,1 kW ⁵	9,1 kW
	25 A	10,2 kW ⁵	13,2 kW
400 V / 3 N~ / 50 – 60 Hz	32 A	Cool: 11,5 kW ⁵	14,7 kW
	16 A / 20 A	8,4 kW ⁵	9,7 kW
415 V / 3 N~ / 50 – 60 Hz	25 A	10,9 kW ⁵	11,5 kW
	32 A	–	15,7 kW
200 V / 3 N~ / 50 – 60 Hz	25 A	6,6 kW	7,1 kW
	32 A	8,0 kW	9,0 kW
230 V / 3 N~ / 50 – 60 Hz	25 A	7,8 kW ⁵	–
	32 A	10,1 kW ⁵	–
230 V / 1 N~ / 50 – 60 Hz	32 A	6,9 kW	–
	25 A	5,1 kW	–
240 V / 1 N~ / 50 – 60 Hz	32 A	7,0 kW	–
	40 A	9,0 kW	–
	50 A	10,9 kW	–

General values

Weight standard⁵ (net / gross): 142 / 158 kg
 Weight EnergyPlus⁶ (net / gross): 163 / 187 kg
 Weight ClimatePlus⁷ (net / gross): 220 / 296 kg
 Tank capacity: 35 l
 Circulating pump (programme dependent): 280 – 370 l/min
 Noise emission (programme dependent): < 62 dB(A)
 Noise emission ClimatePlus: < 70 dB(A)
 Splash guard: IPX5

Water connection

Minimum flow pressure: 1,0 bar
 Minimum flow pressure EnergyPlus / ClimatePlus: 1,5 bar
 Flow rate: min. 4 l/min
 Flow rate EnergyPlus / ClimatePlus: min. 4 l/min
 Water inlet temperature: max. 60 °C
 Water inlet temp EnergyPlus / ClimatePlus / Cool: max. 20 °C

Steam release

Dishwasher / bistro warewasher: 14,4 m³/h
 Glasswasher: 14,4 m³/h
 Cutlery washer: 5,0 m³/h
 Relative humidity: 100 %
 Rel. humidity EnergyPlus / ClimatePlus: 75 %
 Temperature (dishes / glass / bistro): 60 °C
 Temperature (cutlery): 69 °C
 Temperature EnergyPlus / ClimatePlus: 35 %

¹ With EnergyPlus, wash cycle is extended by 30 seconds.

² Non-binding information. The actual rinse water consumption can vary depending on the building conditions.

³ Driven rinse system

⁴ ClimatePlus: No indication of residual heat as there is hardly any steam at the end of the wash cycle.

⁵ In combination with automatic hood: 146 / 162 kg

⁶ In combination with automatic hood: 167 / 191 kg

⁷ In combination with automatic hood: 224 / 300 kg

⁸ This configuration is available with the ClimatePlus heat pump option, except for 60 Hz networks.