

FS-A2/3/4/5

AMBIENT CUPBOARD WITH PLAIN TOP AND LED ILLUMINATED GANTRY

Flexi-Serve mobile ambient cupboard with plain top and LED illuminated gantry. Available in 4 size options, the stainless steel top provides a generous work or display area.

Can be used as a base unit for accessories such as plate dispensers and soup kettles.

Use as a single servery or combine with other Flexi-Serve modules to create your perfect counter layout.



Model Specification	FS-A2	FS-A3	FS-A4	FS-A5
Dimensions (w x d x h) mm	860x700x900	1160x700x900	1495x700x900	1830x700x900
Temperature Range (°C)	N/A	N/A	N/A	N/A
Total Power KW)	0.01	0.02	0.02	0.03
Plug Type	13 Amp	13 Amp	13 Amp	13 Amp
Weight Packed (kg)	96	136	150.5	191.5
Weight Unpacked (kg)	86	108	128.5	169.5
Dimensions incl. Gantry & Trayslide	860x983x1440	1160x983x1440	1495x983x1440	1830x983x1440

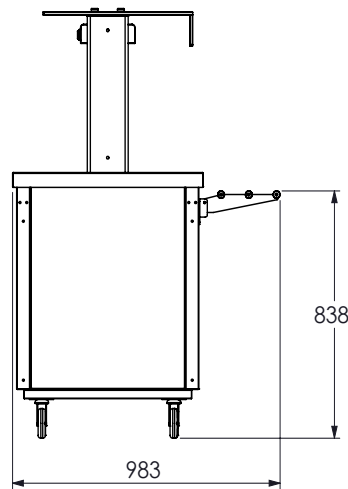
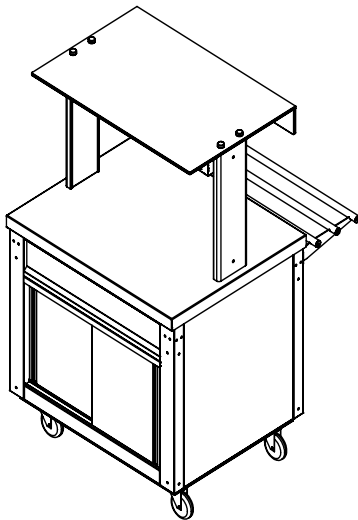
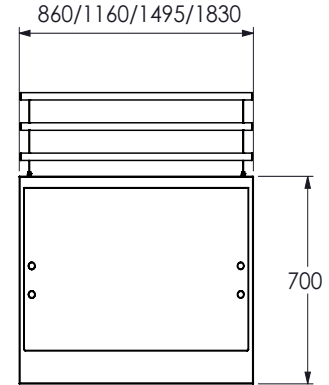
FEATURES

- Stainless steel plain top provides large work or display area
- Ambient cupboard with rodded shelves provides generous storage and is GN compatible
- Removable cupboard shelves and supports makes cleaning easier, shelves fit in a dishwasher
- Removable and interchangeable fascia panels
- Adjustable cupboard shelf positions offers increased flexibility and capacity when required
- Narrow 700mm width fits easily through doorways
- 4 locking castors makes it easy to move for cleaning or storage
- Supplied with tubular tray slide as standard

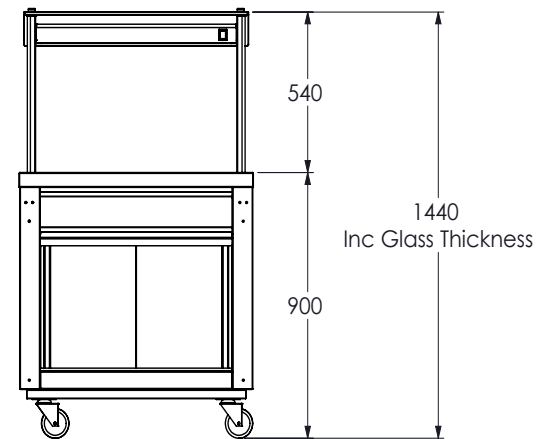
AMBIENT CUPBOARD WITH PLAIN TOP AND LED ILLUMINATED GANTRY

FS-A2 LINE DRAWING

Dimensions in mm



757 With tray slide in the down position



AVAILABLE ACCESSORIES

- Island glass or Assisted glass at an additional cost