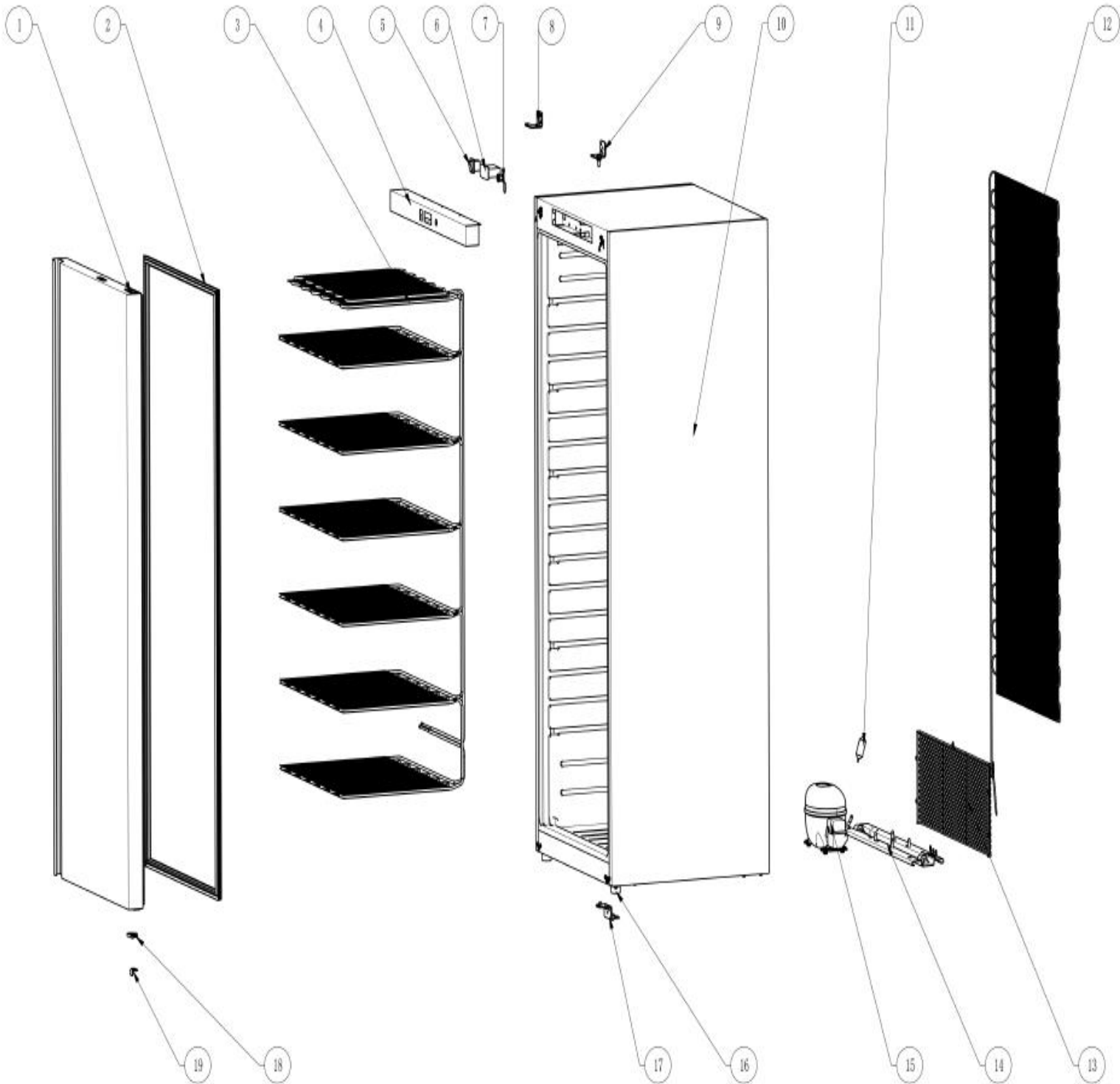


# LW/LS40

Exploded parts diagram







Part Number	No.	Description	Qty
V2-DOOR40SS	1	Door (SS)	1
V2-DOOR40W	1	Door (White)	1
V2-GASKET40	2	Door Gasket	1
***	3	Evaporator	1
V2-PANEL40S	4	Front Panel (SS)	1
V2-PANEL40	4	Front Panel (White)	1
V2-MAINSWITCH	5	Main Switch	1
V2-CONTROLLER	6	Controller	1
V2-LOCK	7	Lock	1
***	8	Top Hinge (Left Bracket)	1
V2-HINGE01	9	Top Hinge Right	1
***	10	Cabinet	1
R4-DRIER20	11	Drier	1
V2-COND40L	12	Condenser	1
***	13	Rear Grille	1
***	14	Compressor Board	1
V2-COMP40L	15	Compressor	1
V2-FOOT	16	Adjustable Foot	2
V2-HINGE02	17	Bottom Hinge Right	1
V2-DOOROPEN	18	Door opening Stop	1
V2-DOORCLOSE	19	Door Closing Stop	1

\*\*\* Please contact Spares for assistance\*\*\*