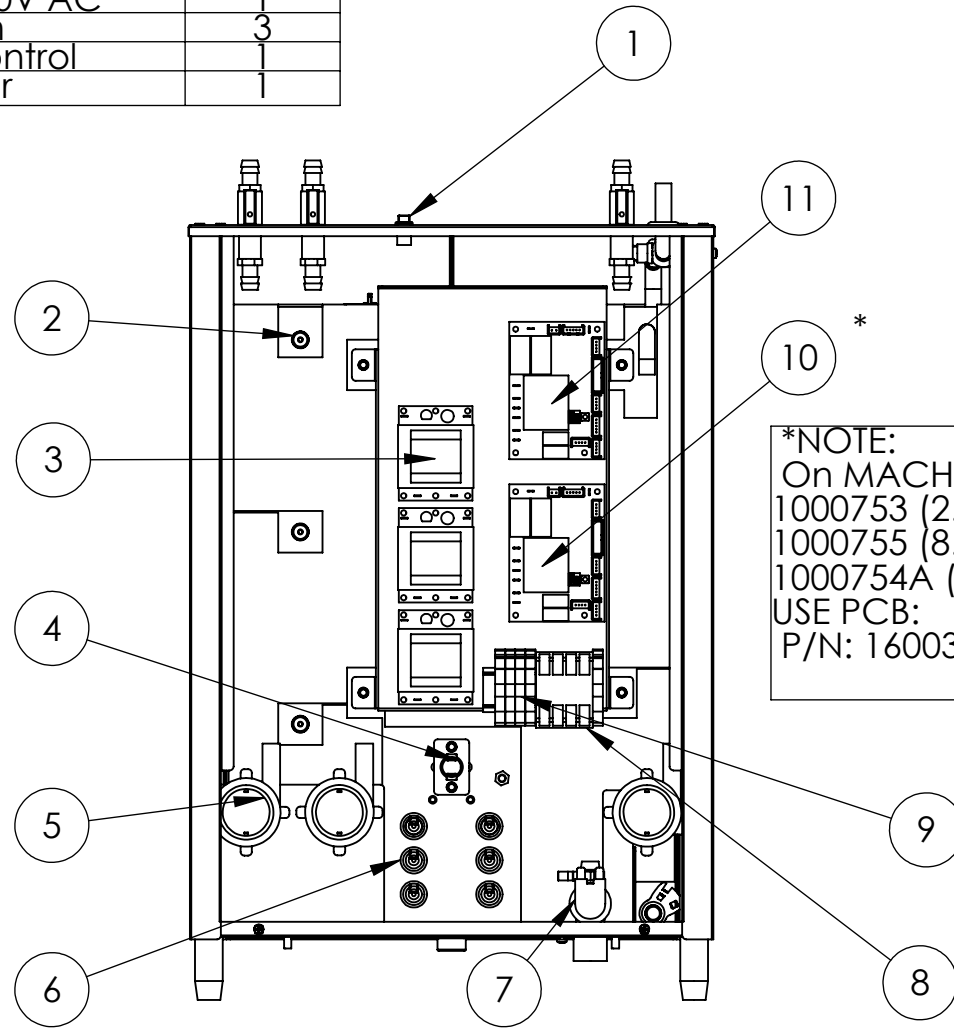


ITEM NO.	PART NUMBER	DESCRIPTION	Default/QTY.
1	1501216	SWITCH POWER ON/OFF	1
2	2301463	PROBE COMPLETE ASSEMBLY 40mm	3
3	1600366	24V DC PUMP SUPPLY	3
4	1502087	THERMAL SWITCH 130 DEG	1
5	1501542	PUMP MULLER 24V DC	3
6	1500985	ELEMENT 2.8kW 230V	3
7	1502190	VALVE INLET SOLENOID 240V 3/4"	1
8	1500840	CONTACTOR B&J 240V AC	1
9	1502000	TERMINAL 6mm	3
10	1600345	P.C.B. Ecoboiler Control	1
11	1600358	PCB Pump timer	1



***NOTE:**
 On MACHINES
 1000753 (2.8kW), 1000754 (5.6kW),
 1000755 (8.4kW), 1000753A (2.8kW),
 1000754A (5.6kW), 1000755A (8.4kW)
 USE PCB:
 P/N: 1600354 P.C.B Eco Slave

Includes range:

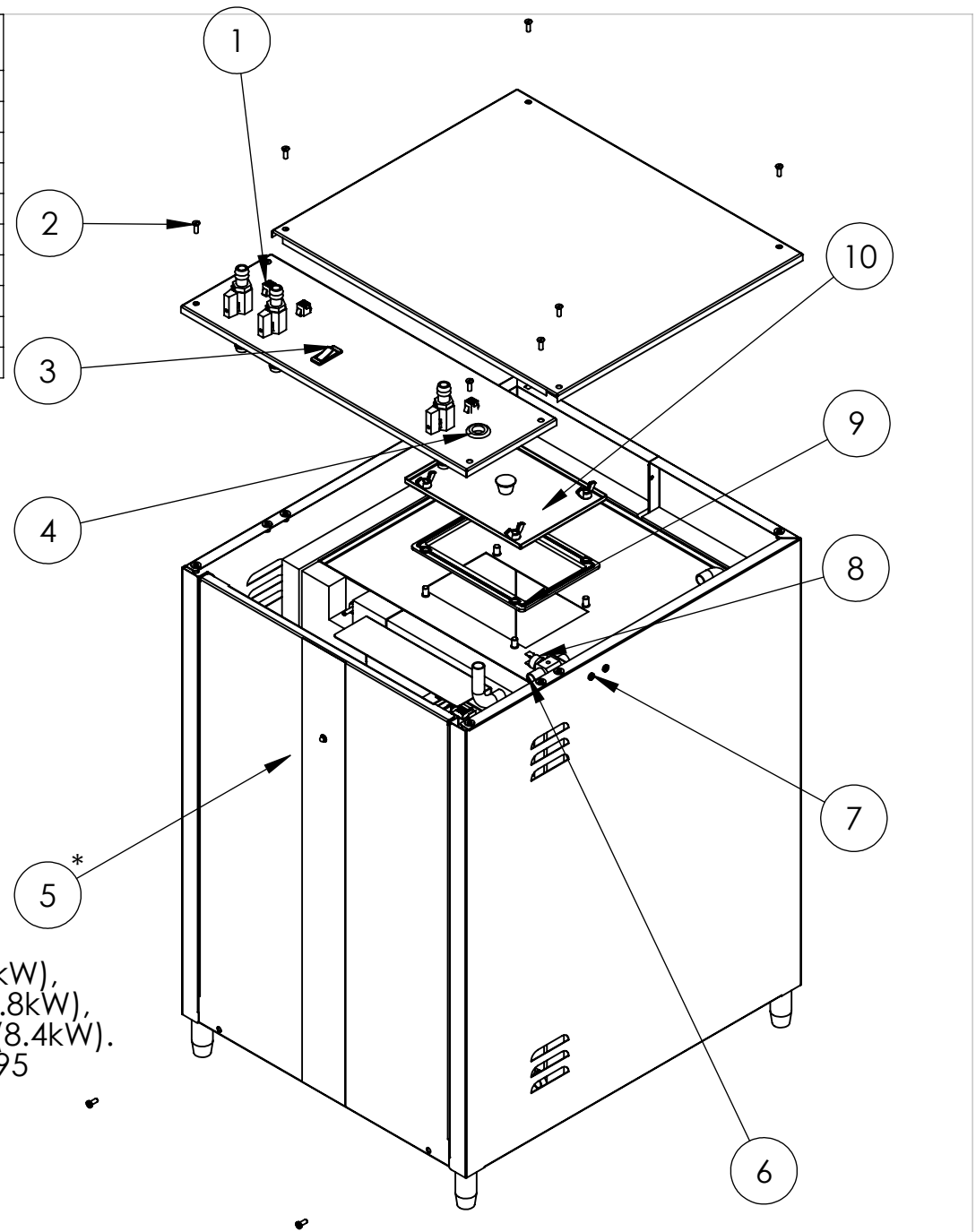
- 1000743 (2.8kW),
- 1000744 (5.6kW),
- 1000745 (8.4kW),
- 1000753 (2.8kW),
- 1000754 (5.6kW),
- 1000755 (8.4kW),
- 1000743A (2.8kW),
- 1000744A (5.6kW),
- 1000745A (8.4kW),
- 1000753A (2.8kW),
- 1000754A (5.6kW),
- 1000755A (8.4kW).



UNLESS OTHERWISE SPECIFIED: DIMENSIONS ARE IN MILLIMETERS
 TOLERANCES: LINEAR: +/-0.2mm

DESCRIPTION:	Internal Exploded UC45	DRAWN BY	FMc	31-08-11
DWG NO.:	UC45-021A	APPROVED BY	NMCL	31-08-11
MATERIAL:	N/A	REVISION	a	CO: 575
				SCALE:1:5

ITEM NO.	PART NUMBER	DESCRIPTION	Default/ QTY.
1	1400611	Connector mini fit 4 way socket	3
2	1401763	Screw M4 x 12mm C/Sunk S/S Slot	8
3	1501216	SWITCH POWER ON/OFF	1
4	1800350	Grommet 19mm X 13mm Hole Size	2
5	2300395	SERVICE PANEL UC45 ECOBOILER	1
6	1502089	Thermal Switch Mount Brass	1
7	1401760	Screw M4 X 10mm Pozi Pan S/S	10
8	1502088	Thermal Switch 90deg, M4 Stud Mount	1
9	1800306	GASKET INNER ECOBOILER	1
10	2300384	Lid Inner Ecoboiler	1



Includes range:

- 1000743 (2.8kW),
- 1000744 (5.6kW),
- 1000745 (8.4kW)
- 1000753 (2.8kW),
- 1000754 (5.6kW),
- 1000755 (8.4kW),
- 1000743A (2.8kW),
- 1000744A (5.6kW),
- 1000745A (8.4kW)
- 1000753A (2.8kW),
- 1000754A (5.6kW),
- 1000755A (8.4kW).

* On machines:
 1000753 (2.8kW), 1000754 (5.6kW),
 1000755 (8.4kW), 1000753A (2.8kW),
 1000754A (5.6kW), 1000755A (8.4kW).
 Use 2300396 instead of 2300395



UNLESS OTHERWISE SPECIFIED: DIMENSIONS ARE IN MILLIMETERS
 TOLERANCES: LINEAR: +/-0.2mm

DESCRIPTION:	External exploded UC45	DRAWN BY	FMc	30-09-11
DWG NO.:	UC45-020A	APPROVED BY	NMCL	30-09-11
MATERIAL:	N/A	REVISION	a	CO: 575
				SCALE: 1:7