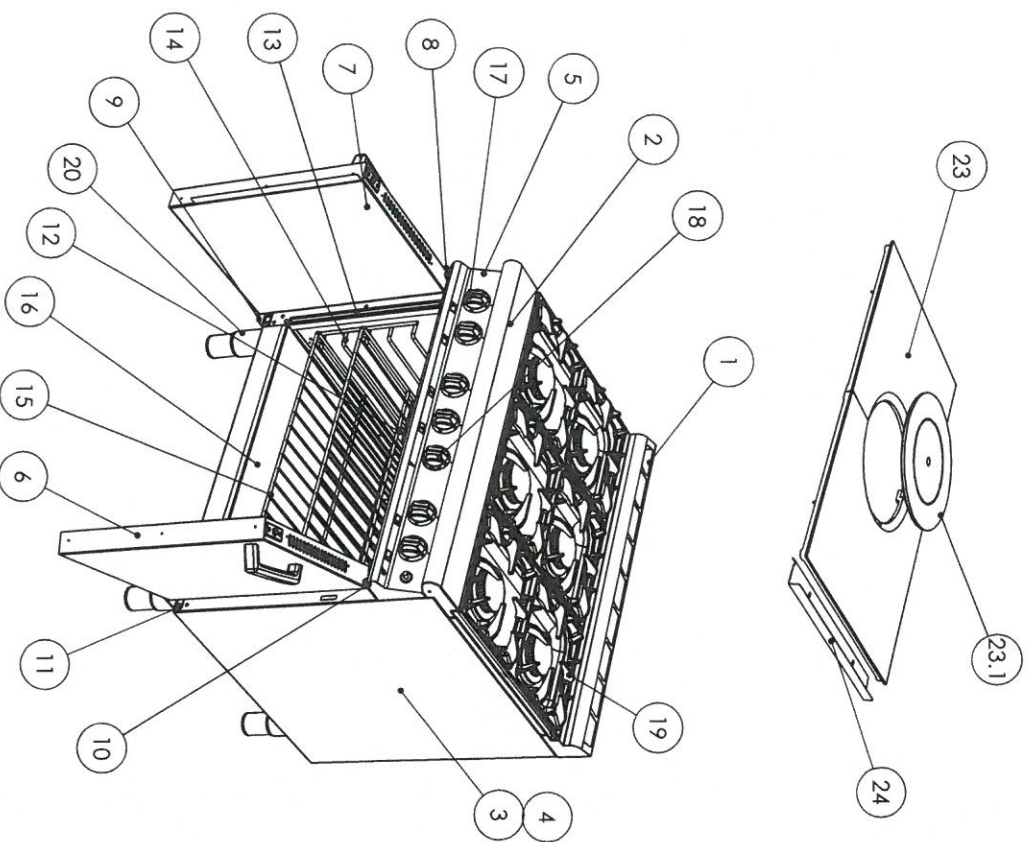


DOMINATOR PLUS



ITEM	DESCRIPTION	G3101 SPARES No	G3101 OTC SPARES No	G3117 SPARES No	G3107 SPARES No
1	REAR HOB RAIL	535290017	535290017	535290017	535290017
2	FRONT HOB RAIL	535290018	535290018	535290018	535290018
3	RH OUTER SIDE PANEL	535200001	535200001	535200001	535200001
4	LH OUTER SIDE PANEL	535200000	535200000	535200000	535200000
5	CONTROL PANEL	535290019	535300001	535300000	535310009
6	RH DOOR ASSEMBLY (GLASS DOOR FOR OTC)	535290022	535300002	535290020	535290020
6.1	DOOR HANDLE	535290022	535290022	535290022	535290022
6.2	DOOR CATCH	535480054	535480054	535480054	535480054
6.3	DOOR HINGE BUSH	535480077	535480077	535480077	535480077
7	LH DOOR ASSEMBLY (GLASS DOOR FOR OTC)	535290021	535300003	535290021	535290021
7.1	DOOR HANDLE	535290022	535290022	535290022	535290022
7.2	DOOR CATCH	535480054	535480054	535480054	535480054
7.2	DOOR HINGE BUSH	535480077	535480077	535480077	535480077
8	TOP DOOR HINGE - LH	535200006	535200006	535200006	535200006
9	BOTTOM DOOR HINGE - LH	535200007	535200007	535200007	535200007
10	TOP DOOR HINGE - RH	535200008	535200008	535200008	535200008
11	BOTTOM DOOR HINGE - RH	535200009	535200009	535200009	535200009
12	DOOR CATCH KEEPER	535200013	535200013	535200013	535200013
13	DOOR SEAL	535200005	535210001	535200005	535200005
14	OVEN SHELF HANGER	535200012	535200012	535200012	535200012
15	OVEN SHELF	535290023	535290023	535290023	535290023
16	OVEN BASE TRAY	535290024	535210002	535290024	535290024
17	O/T - SOLID TOP CONTROL KNOB	535290025	535290025	N/A	535310010
18	OVEN CONTROL KNOB	535300004	535300004	535290026	535290026
19	PAN SUPPORT	535290027	535290027	N/A	N/A
20	ADJUSTABLE FOOT	535290028	535290028	535290028	535290028
21	REAR FIXED CASTOR (NOT SHOWN)	534103055	534103055	534103055	534103055
22	FRONT SWIVEL CASTOR (NOT SHOWN)	530964350	530964350	530964350	530964350
23	SOLID TOP CASTING COMPLETE	N/A	N/A	N/A	535400170
23.1	HOB SIDE DRIP SHED	N/A	N/A	N/A	535410018
24	GP OVEN WORKTOP PANEL (NOT SHOWN)	N/A	N/A	535470002	535410018
25					N/A

Issue

Alteration

Date

Product

Document Reference

A

Initial Issue

09/08/11

G3101/G3101 OTC

G3117/G3107

AD48639

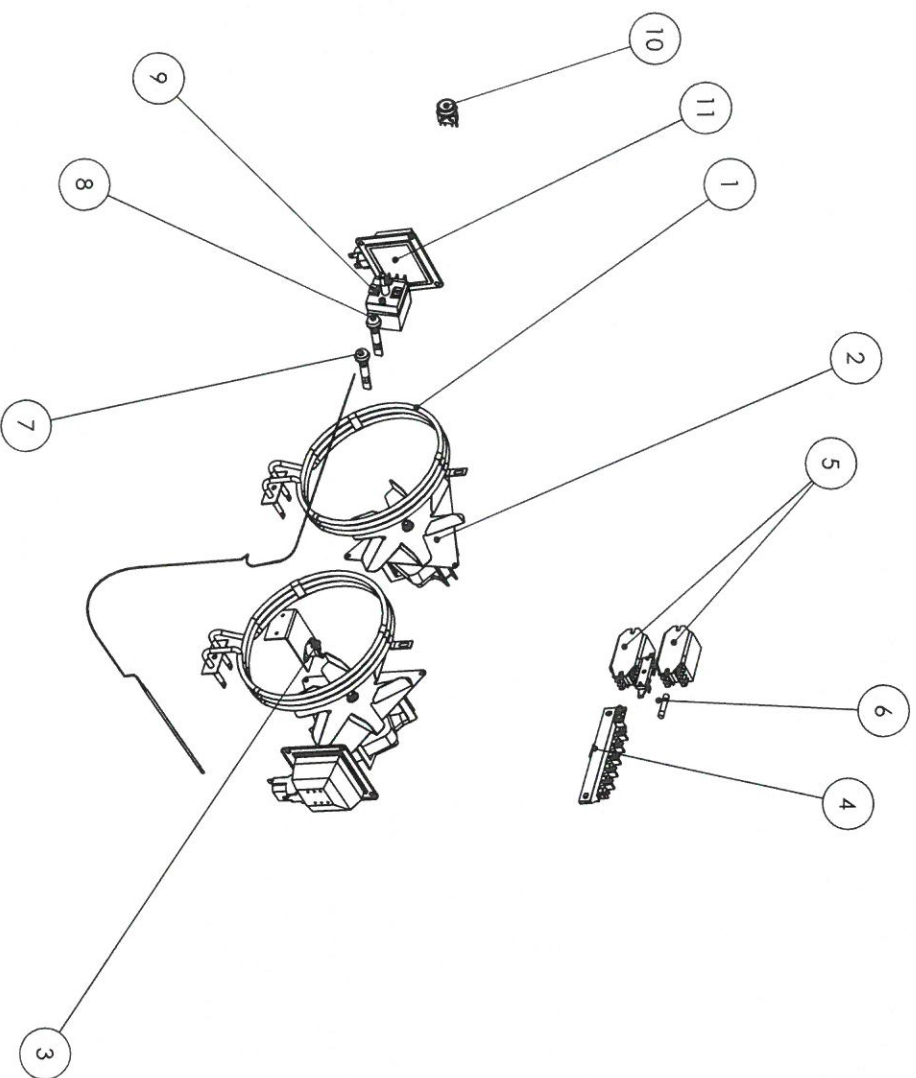
Falcon



www.falconfoodservice.com

DOMINATOR PLUS

ITEM	DESCRIPTION	SPARES No
1	OVEN ELEMENT	535420009
2	OVEN FAN	535420010
3	OVEN SAFETY THERMOSTAT	535420015
4	INCOMING TERMINAL BLOCK	731000006
5	OPERATING / SAFETY RELAY	734243005
6	FUSE 2A	734243006
7	RED NEON	535420008
8	AMBER NEON	535420007
9	THERMOSTAT C/W FAN SWITCH	535420006
10	LIGHT SWITCH	734243004
11	OVEN LAMP	734243007



Issue	Alteration	Date	Product	Document Reference
A	Initial Issue	09/08/11	G3101 OTC	AA48640