

Popular and EcoChill Bottle Coolers

from **autonumis**

A range of premium, high performance, low energy, Bottle Coolers for busy pubs and bars

- Generous internal capacity – holds three layers of premium beers
- Big capacity compressor for fast pull down times
- Built in evaporator fan for even bottle temperature distribution
- Adjustable digital thermostat for accurate temperature control
- Reverse ducted condenser fan for enhanced refrigeration life and dust control
- Foam injected carcass for great thermal insulation and cabinet strength
- Clean and green – CFC-free and ozone friendly
- Fully illuminated (LED) maximised display area – looks great in busy bars



Available options:

- Single, 3 foot double or maxi-double sized cabinets
- Swing or sliding door models
- Doors and cabinet both available in stainless steel



Save energy with the EcoChill range

Incorporating low energy technology to save up to **30% more energy** than coolers of a similar performance



Popular and EcoChill Bottle Coolers

from **autonumis**

Additional features

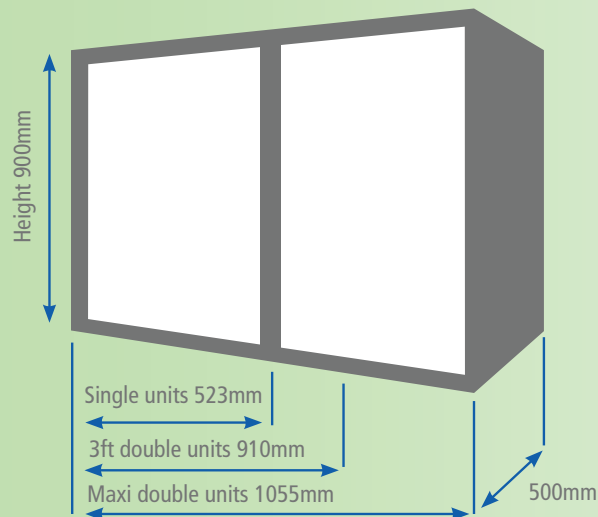
- Fully adjustable shelving with black finish as standard
- Interior of cabinet finished in light reflective aluminium
- Convert the cabinet to a wine fridge using wine racks available as spares
- Illumination can be switched off independently from cooling to save power

Capacities

The following shows the minimum capacities that we would expect to be able to achieve from our bottle coolers:

MODEL TYPE	330ml BOTTLES	330ml CANS
Single door integral	87	144
3ft. double door integral	174	288
Maxi double door integral	240	320

Actual dimensions



Space required

Height:		925mm
Depth:		500mm
Width:	sliding doors	520mm
	single door	525mm
	3ft double door	915mm
	maxi double door	1060mm

NB: Height (above) includes space for air circulation



Q 06134

