

Silverlink 600 Counter Top Pasta Boilers

Key Features

- Type: Electric
- Counter top
- Thermostatic temperature control
- Front mounted control knobs
- Hinged element(s) with safety cut-out
- Drainage tap(s) to front
- Supplied with lid(s)



PB33

Construction

- Body: stainless steel grade 430
- Tank: stainless steel grade 304
- Element: stainless steel Inconel 800
- Baskets: stainless steel grade 316

Available Options

- Choice of power ratings, sizes and single or twin tank models

Available Accessories

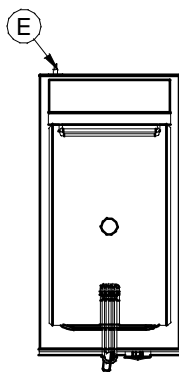
- Single, half and quarter sizes baskets (see table overleaf)

Specifications

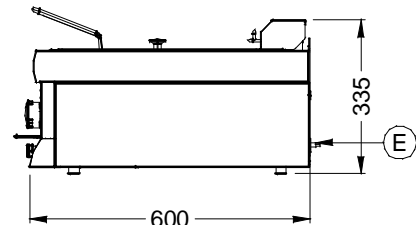
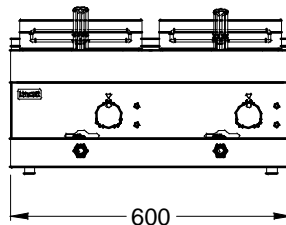
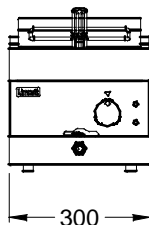
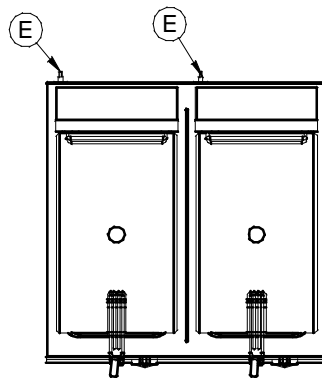
Model	PB33	PB66
External height (mm)	335	335
External width (mm)	300	600
External depth (mm)	600	600
No of tanks	1	2
Water capacity (litres)	11	2 x 11
Net weight unpacked (kg)	13	24
Gross weight packed (kg)	17	30
Shipping volume (m ³)	0.145	0.255
Total electrical power rating (kW)	3.0	2 X 3.0
Electrical supply 1N~+E 230V 50-60Hz Current Rating (A)	13	2 X 13
Electrical supply 3N~+E 400V 50-60Hz Current Rating (A)	N/A	N/A

Baskets	BA112	BA114	BA115 (RH) & BA116 (LH)
Dimensions (mm) H x W x D	99.5 x 202 x 310	99.5 x 101 x 310	99.5 x 101 x 155
No Required PB33	1	2	2 of each
No Required PB66	2	4	4 of each

PB33



PB66



Lincat Limited, Whisby Road,
Lincoln LN6 3QZ,
United Kingdom

UK Sales Tel: 01522 875500 UK Spares Tel: 01522 875510 UK General Tel: 01522 875555
UK Fax: 01522 875530 International Sales Tel: +44 1522 503250 International Fax: +44 1522 875530
Website: www.lincat.co.uk UK Sales e-mail: sales@lincat.co.uk International Sales e-mail: export@lincat.co.uk



Document ref:
S-LINKPASTA
Issue date: Jul-10