



Project Distribution Ltd  
Unit 1 Sun Street, Stoke on Trent ST1 4JW  
Tel:01782 280289 Fax: 01782 215955  
www.prodis.co.uk sales@project-distribution.co.uk

Project

Location

Item#

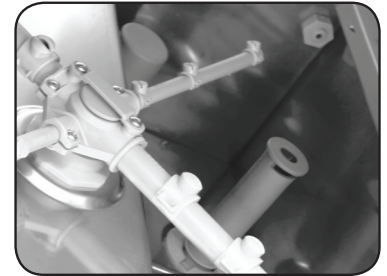
QTY

Model:  
JET50DP

Dishwasher Under Counter  
500mm basket, automatic drain pump

### General Information

The Prodis JET50DP 500mm basket automatic drain pump dishwasher with automatic rinseaid and detergent injectors, fixed wash and rinse thermostats and a 4 minute wash cycle.



### Key Features

- 4 minute wash cycle
- Upper wash/rinse assembly
- 13amp for easy installation
- Timed rinseaid pump
- Timed detergent pump
- Wash and rinse tank elements
- 60°C fixed wash tank thermostat
- 80°C fixed rinse tank thermostat
- Compact design
- Simple operation
- Adjustable feet
- Stainless steel wash pump filter

### Construction

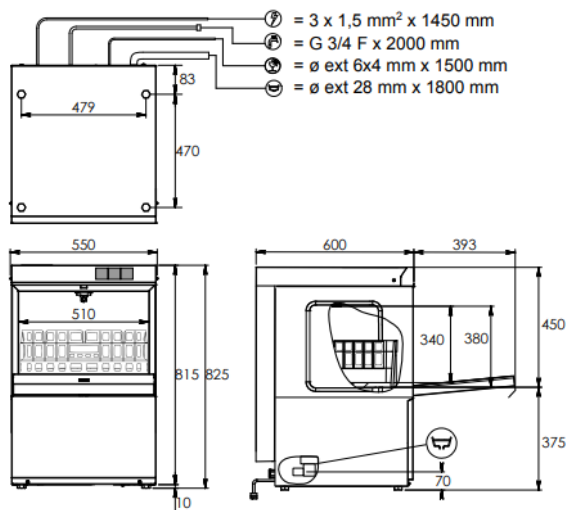
- 304 stainless steel exterior
- 304 stainless steel interior
- Double skinned door

### Available Options

- Manual water softener
- Rinse boost pump
- Multifit stand
- Double check valve

## Technical Data

Model	JET50DP
External Dimensions	Width = 550 Depth = 600 Height = 825
Wash Cycle	4 minute
Basket size	500 x 500mm
Internal clearance / Maximum loading height	340mm
Automatic rinseaid injector	✓
Automatic detergent injector	✓
Wash tank temperature	60°C
Rinse tank temperature	80°C
Rinse tank heating element	2500w
Wash tank heating element	500w
Total power supply	2800w
Wash pump capacity	120 litres per minute
Wash tank capacity	12 litres
Rinse tank capacity	3 litres
Water inlet	3/4 BSP
Drain outlet	28mm
Drain system	Drain pump
Weight	44kg



Approvals

Available At

Document #

