



# DISHWASHER X-100B 220/60/3 (WITH DRAIN PUMP)

2.5 kW wash tank and 7.5 kW boiler

P/N 1302227



WARE WASHING  
PASS-THROUGH DISHWASHERS

## SALES DESCRIPTION

Commercial pass-through dishwasher with a max. loading height of up to 400 mm and 3 wash cycles with thermal cycle delay option included. A stainless steel, top of tank filter system is also included as standard.

- ✓ Sturdy and reliable.
- ✓ Maximum productivity thanks to shorter cycles.
- ✓ Stainless steel, sturdy and resistant washing arms. Don't get damaged because of chemical corrosion.
- ✓ Tank capacity above average: it takes more time to saturate the water of debris.
- ✓ 1.2 Hp wash pump: optimal washing results.
- ✓ 7.5 kW boiler: short recovery time.
- ✓ Full optional list.

## FEATURES AND BENEFITS

- ✓ A hood type dishwasher for both straight in line and corner situations -suitable for washing trays, as well as all types of plates, cups, glasses and cutlery.
- ✓ Professional washing with double system of rotating wash and rinse arms top and bottom.
- ✓ Hood operated, auto cycle star. 3 wash cycles.
- ✓ Manufactured from catering grade AISI 304 2B stainless steel and incorporating top quality components.
- ✓ The inside of the machine features rounded corners, the elimination of angles avoiding the accumulation of dirt.
- ✓ Removable stainless steel rack holders ensure even distribution of wash water without dead zones. Precision positioned water jets guarantee optimum washing result for even the most stubbornly stained glasses. Easy to assemble, boltless rinse spray arms.
- ✓ A double filter system provides effective wash pump protection that is easily removed (for maintenance and cleaning) and replaced, without tools.
- ✓ Completely rounded, stainless steel wire rack support and guide.
- ✓ A magnetic micro-switch stops the wash cycle, in the event of the hood being raised prematurely.
- ✓ Standard features include adjustable feet for levelling.
- ✓ A stainless steel, top of tank filter system is also included as standard.
- ✓ Rinse aid dosing equipment.
- ✓ Adjustable washing tank and boiler temperature and security in the boiler.
- ✓ Thermal cycle delay option, guaranteeing a minimum final rinse temperature of 85°C for each and every rinse cycle.
- ✓ Sammic ware washers are designed for easy and fast on-site maintenance.
- ✓ 100% tested.

## INCLUDES

- ✓ Rinse aid pump.
- ✓ Drain pump and non-return valve.
- ✓ 1 open basket.
- ✓ 1 mixed basket.
- ✓ 1 cutlery basket.



[www.sammic.co.uk](http://www.sammic.co.uk)

Food Service Equipment Manufacturer

Unit 2, Trevanah Road  
Troon Industrial Park  
LE4 9LS - Leicester

[uksales@sammic.com](mailto:uksales@sammic.com)  
Tel.: +44 0116 246 1900



Project

Date

Item

Qty

Approved

product sheet  
updated 07/05/2018



# DISHWASHER X-100B 220/60/3 (WITH DRAIN PUMP)

2.5 kW wash tank and 7.5 kW boiler



P/N 1302227

## SPECIFICATIONS

Basket dimensions: 500 mm x 500 mm

Maximum glass height: 400 mm

Cycles: 3

Cycle duration: 60 " / 120 " / 180 "

Production baskets/hour: 60 / 30 / 20

✓ Boiler capacity: 10 l

✓ Wash tank capacity: 40 l

✓ Water consumption/cycle: 3.5 l

✓

✓ **Electrical supply:** 220 V / 60 Hz / 3 ~  
([v:004\_intensidad1] - 24.7 A - 16.8 A)

✓ Plug: -

### Loading

✓ Pump: 880 W / 1.2 Hp

✓ Tank: 2500 W

✓

✓ Boiler: 7500 W

✓ Total loading: 8380 W

✓

### External dimensions (WxDxH)

✓ Width: 640 mm

✓ Depth: 756 mm

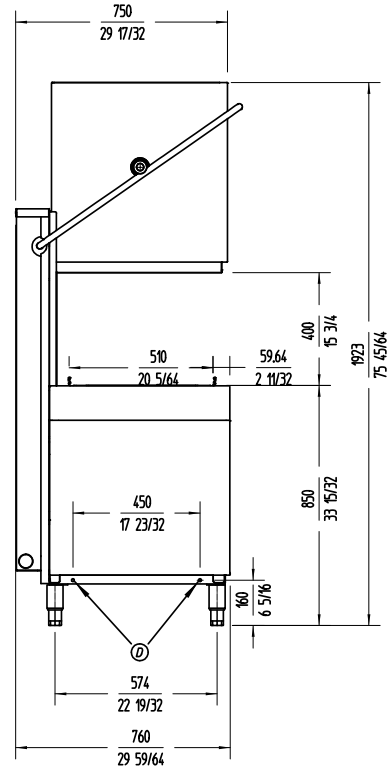
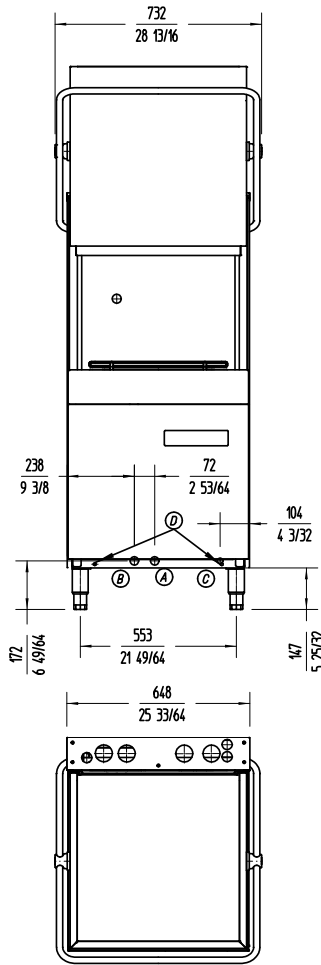
✓ Height: 1920 mm / 1468 mm

Net weight: 111,8 Kg

### Crated dimensions

760 x 860 x 1470 mm

Gross weight: 123.5 Kg.



## ACCESSORIES

- Filters for dishwashers
- Dosing equipments
- Tables for dishwashers P/X/S (pass-through model)
- Manual water softeners
- Automatic water softeners
- 500 x 500 mm. baskets
- Inserts, supplements & similar
- High Feet Kit
- Booster pump kit

WARE WASHING  
PASS-THROUGH DISHWASHERS



[www.sammic.co.uk](http://www.sammic.co.uk)

Food Service Equipment Manufacturer

Unit 2, Trevanah Road  
Troon Industrial Park  
LE4 9LS - Leicester

[uksales@sammic.com](mailto:uksales@sammic.com)  
Tel.: +44 0116 246 1900



Project

Date

Item

Qty

Approved

product sheet  
updated 07/05/2018