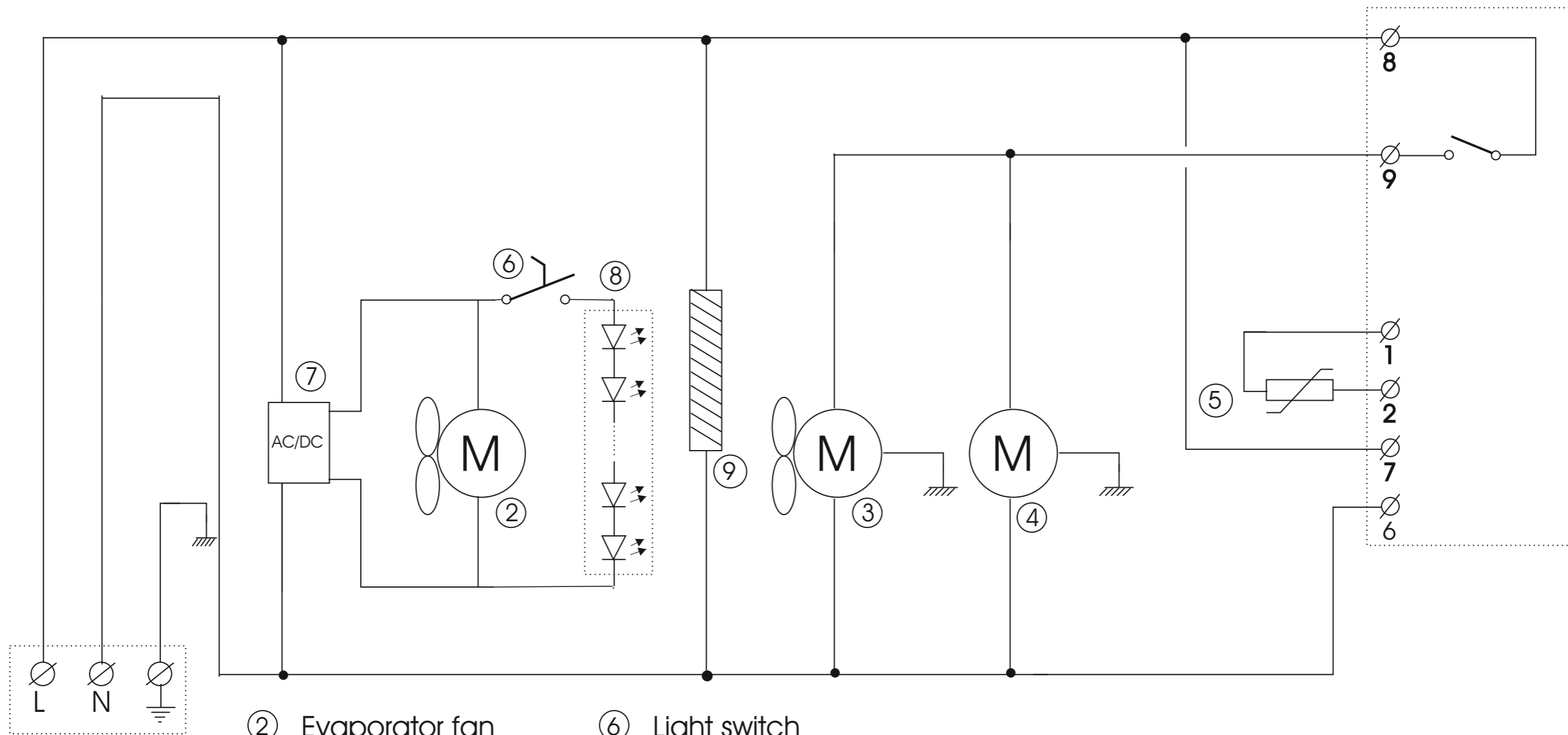



XR02CX



- ② Evaporator fan
- ③ Condenser fan
- ④ Compressor
- ⑤ Cabinet probe
- ⑥ Light switch
- ⑦ LED Power supply
- ⑧ LED strip
- ⑨ Frame heater

TEFCOLD 	Date: 170623
Model: BA20HI	Rev. no.: 01
Electrical diagram	Rev. by: rfj
Drawing no.:	