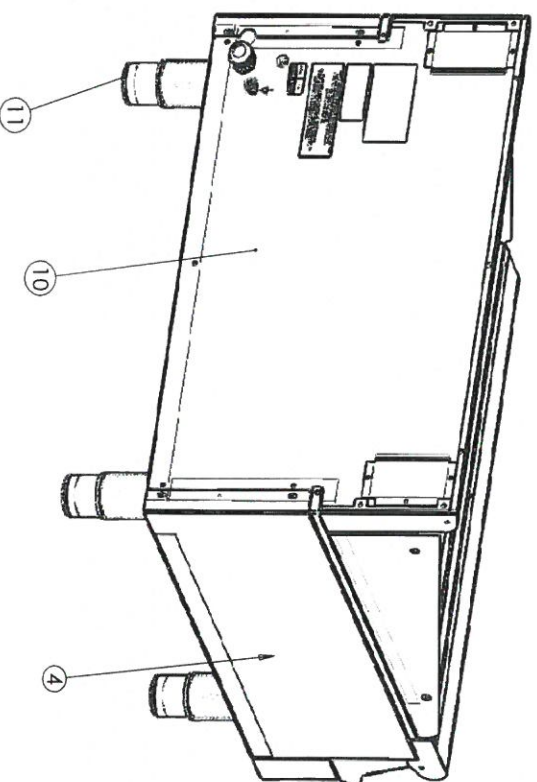
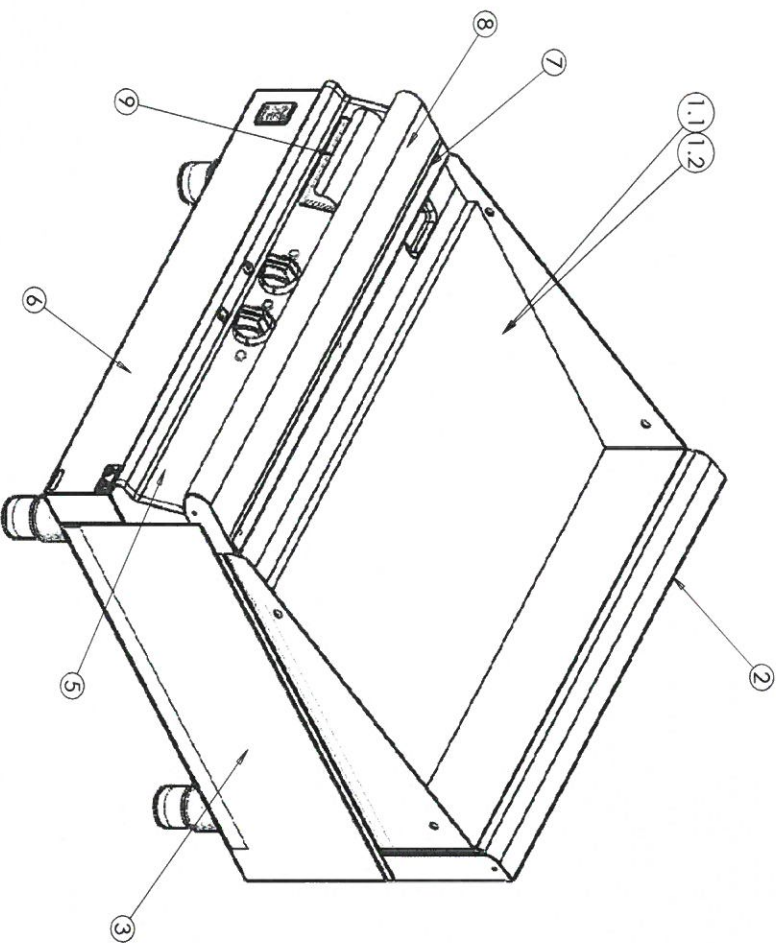


# DOMINATOR PLUS

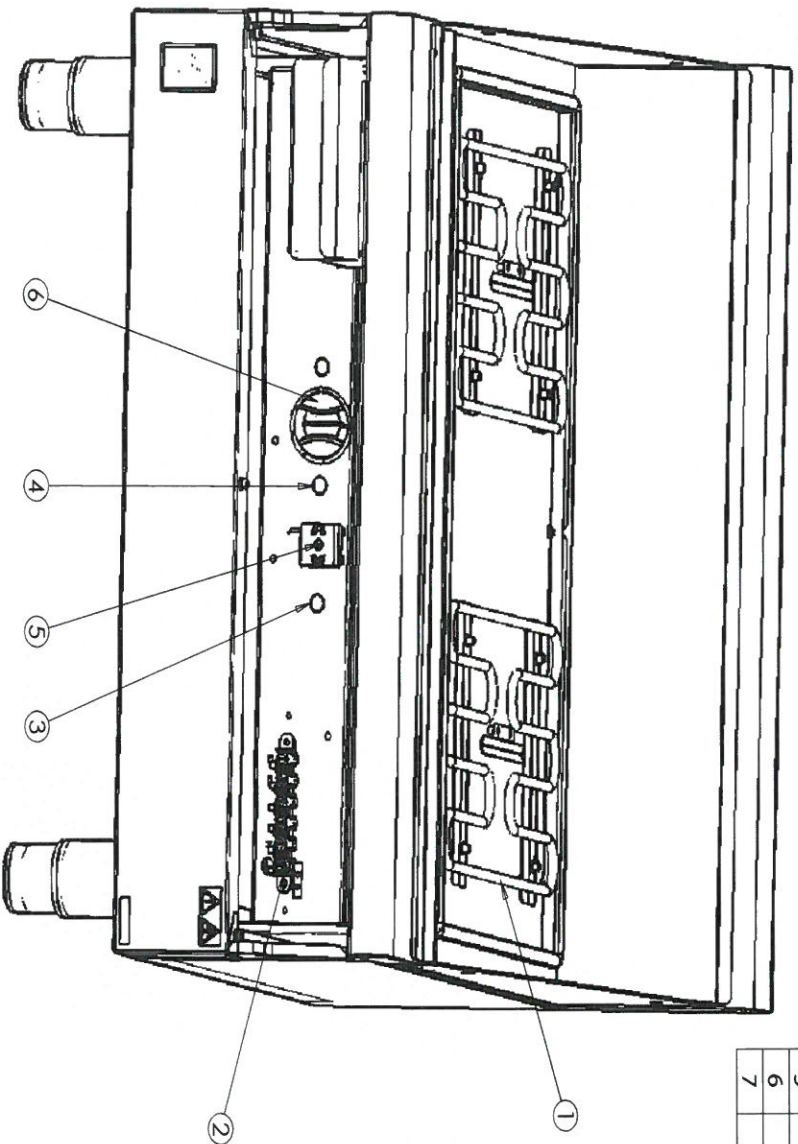
ITEM	DESCRIPTION	SPARES No
1.1	GRIDDLE PLATE SMOOTH	735910000
1.2	GRIDDLE PLATE HALF RIBBED (NOT SHOWN)	735910001
2	FLUE	735910002
3	SIDE PANEL R/H	535150009
4	SIDE PANEL L/H	535150008
5	CONTROL PANEL	735910003
6	FACIA PANEL	735910004
7	CAPPING CHANNEL	735910005
8	HOB	735910006
9	FAT JUG ASSEMBLY	535150012
10	REAR PANEL	735910007
11	ADJUSTABLE FEET	535150013



Issue	Alteration	Date	Product	Document Reference
A	Initial Issue	29/08/13	E3481/E3481R	AD50300

# DOMINATOR PLUS

ITEM	DESCRIPTION	SPARES No
1	ELEMENT	539113100
2	TERMINAL BLOCK	731000006
3	AMBER NEON	731740440
4	RED NEON	730962010
5	OPERATING STAT	539113110
6	CONTROL KNOB	735850003
7		



GRIDDLE PLATE, CONTROL PANEL AND KNOB  
HIDDEN TO SHOW SPARE PARTS

Issue	Alteration	Date	Product	Document Reference
A	Initial Issue	12/12/13	E3841/E3841R	AD50301

