

# G350 Undercounter Glasswasher

Technical Specifications



**CLASSEQ**  
Warewashing Made Simple.

# G350

Our smallest front loading commercial glasswasher with two simple button controls for effortless, consistently clean results. The perfect glasswasher for where space is limited.

The G350 is an easy to operate glass washer with a 350 x 350mm basket that holds 12 pint-sized glasses and with its two minute wash cycles, this machine is capable of cleaning up to 360 glasses per hour.

With a digital LED display, intuitive colour coded lighting and universally recognised symbols, this machine is incredibly easy to use, plus features performance enhancing customisations through its advanced settings modes. Additionally, its clever software constantly monitors wash cycles, temperatures, chemical usage and any errors giving valuable data which is used to improve operational efficiencies.

The G350 comes as standard with a gravity drain, which is suitable in instances where the machine is above the waste outlet. The optional drain pump (G350P) is essential where the drainage is either higher than the machines waste outlet, or has to be pumped to a stand pipe.



## Drain Pump

Our G350 is also available with an Optional Drain Pump. Model code: G350P.

# Warewashing made simple:



## Locally manufactured

Our machines are Made in Britain (Staffordshire) meaning shorter lead times on delivery, parts and support.



## 2 Minute Cycle Time

The G350 2 minute cycle allows for maximum output without compromising wash quality.



## User Friendly

We've maximised our user experience through, two simple button controls.



## Advanced Customer Features

Adjust rinse aid and detergent settings and priming of chemical pumps.



## Colour Coded Display

Amber flashing - Machine heating  
Blue - Machine in cycle  
Green - Machine ready



## Operational Monitoring

Our machine constantly monitors heating and water usage to improve the efficiency.

# Machine Features:

1 350mm x 350mm basket	2 Built-in chemical pumps	3 Energy saving standby mode	4 Removable basket guides
5 Dual wash filter system	6 Temperature interlock - guarantees hot rinse	7 Assisted self-clean	8 Noise reducing double skinned door

## Hydraulic specifications

Water supply connection	G3/4" (3/4" BSP)
Minimum allowed supply water pressure	2.0 bar
Required water flow rate	11 L/min
Minimum incoming water temperature	4°C
Maximum incoming water temperature	55°C
Gravity drain height (from machine base)	40 mm
(Optional) Pumped drain height (from machine base)	420 mm
Drain size	Ø40 mm

## Electrical specifications

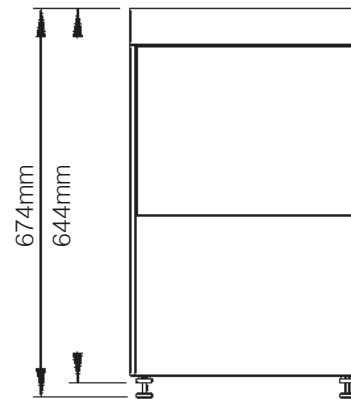
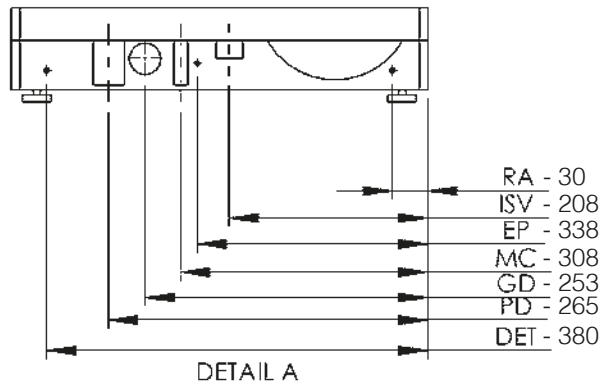
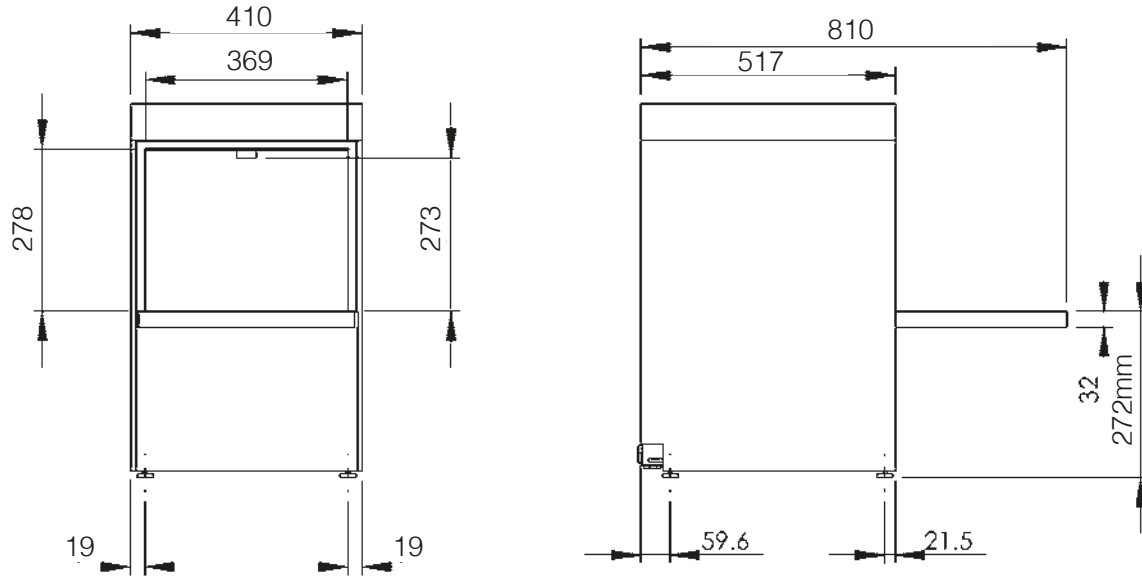
Amps required	13A (1 phase)
Operating voltage - Standard	220-240V / 1N~ / 50Hz
Total connected load	2.85kW

## Performance

Wash tank element	2.00kW
Rinse tank element	2.60kW
Wash tank capacity	5.75 litres
Rinse tank capacity	6.5 litres
Rinse water consumption at 3 bar	3.00 L/cycle
Theoretical maximum racks/hours	30
Wash tank temperature	55°C
Rinse tank temperature	70°C
Wash pump power	0.25 kW
Rinse pump power	N/A

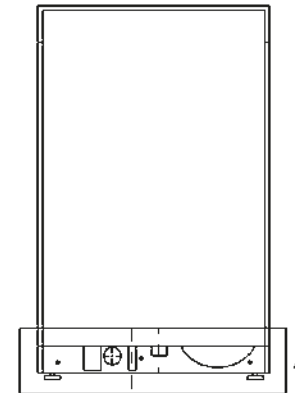
**Please Note:** G350P Specification as above.

# Mechanical Specifications



## Additional Info:

Wash water temperature	55°C
Glass washer rinse temperature	70°C
Noise level	Under 70dB
Empty weight	32kg
Fully Loaded weight	43.5kg
Packed weight	40.3kg



## Dimensions (mm):

410 (W) x 644 (H) (674 max) x 517 (D)

Description	Symbol	Radius from machine (m)
Rinse aid tube	RA	3
Inlet solenoid value	ISV	1.8
Mains electrical cable	EC	1.3
Gravity waste water outlet	GD	1.5
Pumped waste water outlet	PD	1.5
Equipotential bonding stud	EP	-
Detergent tube	DET	3

Please Note: All dimensions in mm

## Contact:

Tel: +44 (0)844 225 9250  
Email: sales@classeq.co.uk

Classeq Ltd, Roebuck Way,  
Knowlhill, Milton Keynes MK5 8WH

www.classeq.co.uk

**CLASSEQ**  
Warewashing Made Simple.