

Model:
 FISK25C

Fresh fish display
 Refrigerated deck



Key Features

Construction

Available Options

- Inbuilt 19mm drain outlet
- Perforated front decoration
- Angled display deck
- Refrigerated display deck
- Static refrigeration
- Manual defrost
- Digital temperature control
- R290 refrigerant

- AISI 316 stainless steel construction
- High density polyurethane insulation
- Stainless steel base legs

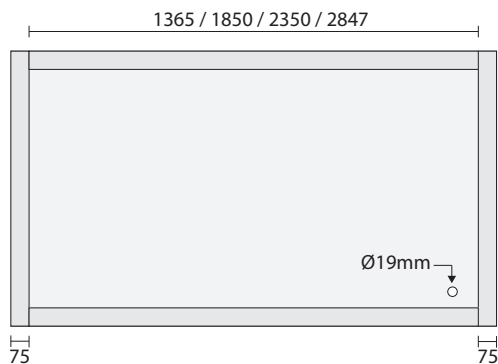
- Acrylic frontal protection
- Scale support
- Multiplexing kit
- Multiplexing decorative panel

Important - Refrigerated Fisk displays must be used in conjunction with flaked ice. The refrigerated deck is designed to prolong the life of your flaked ice bed only.

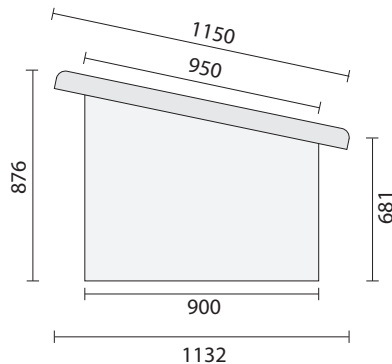
Technical Data

Model	FISK25C
External Dimensions	Width = 2500 Depth = 1150 Height = 876/681
Style	Refrigerated
Deck Dimensions	Width = 2350 Depth = 950
Display Deck Size	2.23m ²
Flaked Ice Requirement*	205kg
Construction	AISI316 Stainless Steel
Refrigerant	R290

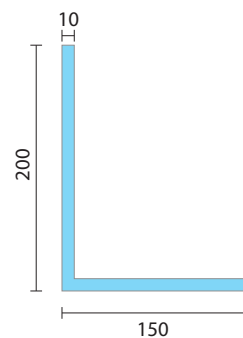
Top View



Side View



Frontal Protection



*flaked ice requirement calculated at a depth of 18cm

Approvals	Available At	Document #
 		