



HOSHIZAKI

Premier K 2 A DL DR C U 2-Section Refrigerated Counter



PRODUCT SERIES: PREMIER
ITEM NUMBER: 211000012210
COUNTRY OF ORIGIN: TÜRKIYE

Hoshizaki Premier K 2 A DL DR C U is a 2-section 1/1 GN refrigerated counter with two doors and a flat worktop. It has a net usable volume of 192 ltr. The body height is 750 mm, shelf width is 325 mm.

- Fan assisted cooling
- Completely front vented
- Unit can be fully integrated. Due to front venting design, no air flow is required to the underneath, sides or back of unit
- Automatic defrost with re-evaporation of defrost water
- Heavy duty cabinet and compressor compartment construction
- Climate class 5 cooling system enduring up to +40°C ambient temperature
- Exterior and interior of stainless steel AISI 304
- A compact slide out refrigeration unit for maintenance and service
- Removable condenser filter for cleaning or replacement
- Compartmentalized cooling unit that is available as one unit
- Reversible doors
- Anti-tilt shelves
- Removable magnetic door gaskets with triple insulation area
- Pan-shaped inside base with rounded corners to catch fluids
- IP 2X water protection
- Matching design identity as the Premier cabinets



1 / 1 GN

ACCESSORIES INCLUDED

3 grey shelves per section

OPTIONAL ACCESSORIES

- Set of legs 125-200mm
- Set of legs 130-180mm
- Set of castors 125mm
- Set of castors 150mm
- Set of castors 200mm
- Castor Extension Kit (extends height of castors by 50 mm)
- Stainless shelf, 325 x 530mm
- Grey shelf, 325 x 530mm
- Shelf supports, 2 of
- Door section
- Drawer section with 2 x 1/2 drawers
- Drawer section with 3 x 1/3 drawers
- Flat worktop
- Flat worktop with 50mm splashback
- Flat worktop with 100mm splashback

WARRANTY PERIOD
5 Years on Parts & Labour

EXTERIOR
Stainless steel AISI 304

INTERIOR
Stainless steel AISI 304

Refrigerant: R600a / Refrigerant (kg): 0.07 / CO2 equivalent (kg): 0.21

CERTIFICATIONS



Energy consumption (kWh/Year)	Energy efficiency class	Energy efficiency class standard	Energy Efficiency Index EEI
317	A+	ISO 22041-2019	13.9



HOSHIZAKI

Premier K 2 A DL DR C U

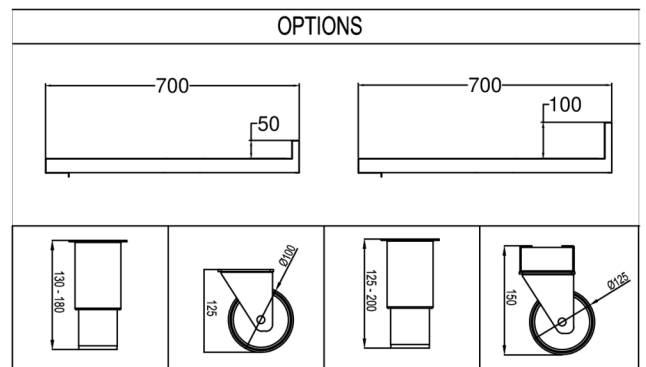
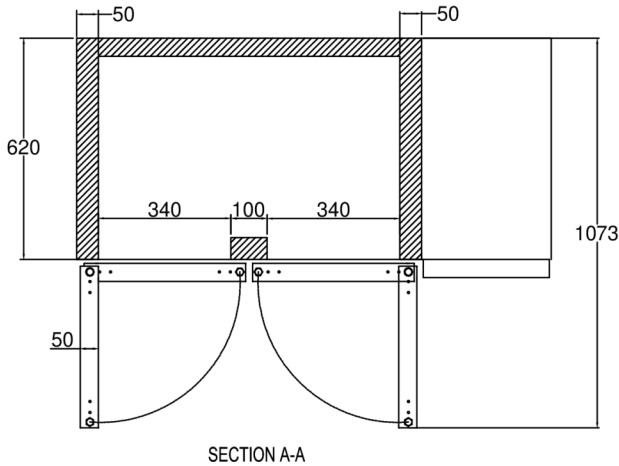
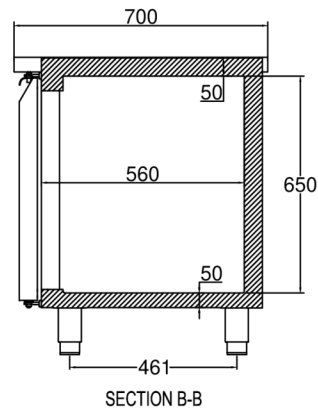
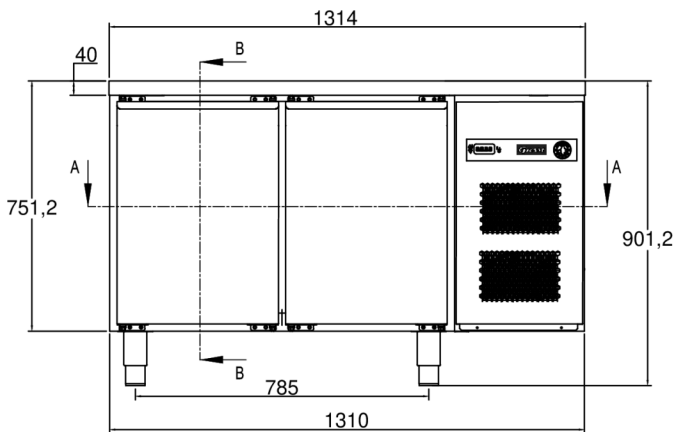
TECHNICAL SPECIFICATIONS

Temperature range	Tray size (mm)	Volume, gross (ltr.)	Net usable volume (ltr.)	Power supply	Connection load (Watt)	Ref. capacity at -10°C (Watt)	Insulation (mm)	Climate class	Sound level - dB(A)
+2/+12°C	1/1 GN	301	192	230V, 50 Hz	115	206	60 (polyurethane)	5 (max. ambient 40°C w/ 40% RH)	43

SHIPPING SPECIFICATIONS

Dimensions W x D x H (mm)	Net weight (kg)	Dimensions packed W x D x H (mm)	Weight, packed (kg)	Volume packed (m3)
1314 x 700 x 903 (including castors)	98	1340 x 730 x 1103	110	1.08

Disclaimer: Every effort has been made to ensure that the information contained in this spec sheet is accurate at the time of publishing. Hoshizaki Europe BV assumes no responsibility or liability for typographical errors or omissions or for any misinterpretation of the information within the publication and reserves the right to change without notice.



Hoshizaki Belgium
Hoshizaki Denmark
Hoshizaki Deutschland
Hoshizaki France
Hoshizaki Iberia
Hoshizaki Italia
Hoshizaki Middle East

info@hoshizaki.be
info@hoshizaki.dk
vertrieb@hoshizaki.de
info@hoshizaki.fr
info@hoshizaki.es
commerciale@hoshizaki.it
sales.ex@hoshizaki-europe.com

Hoshizaki Netherlands info@hoshizaki.nl
Hoshizaki Norge salg@hoshizaki.no
Hoshizaki Sverige orderSE@hoshizaki.dk
Hoshizaki UK uksales@hoshizaki.uk
Export countries sales.ex@hoshizaki-europe.com
Other countries sales.ex@hoshizaki-europe.com

www.hoshizaki.uk