

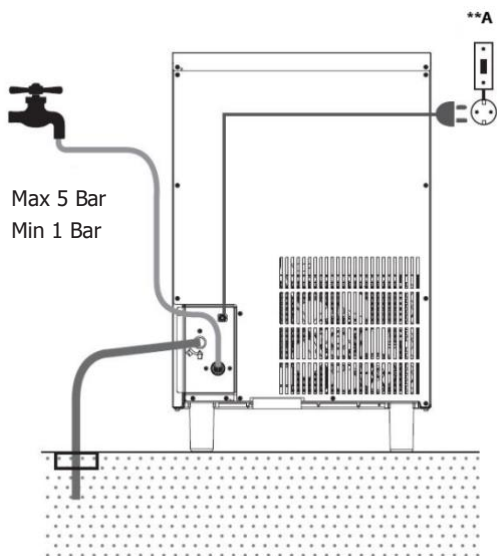


Ice Maker Instruction Manual

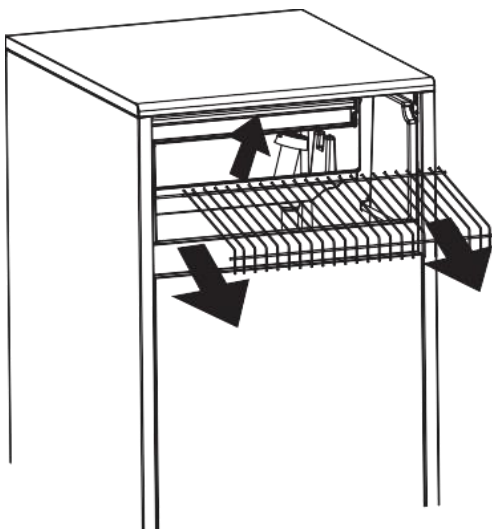


**MODEL:
UA026 / UA027 / UA028 / UA029**

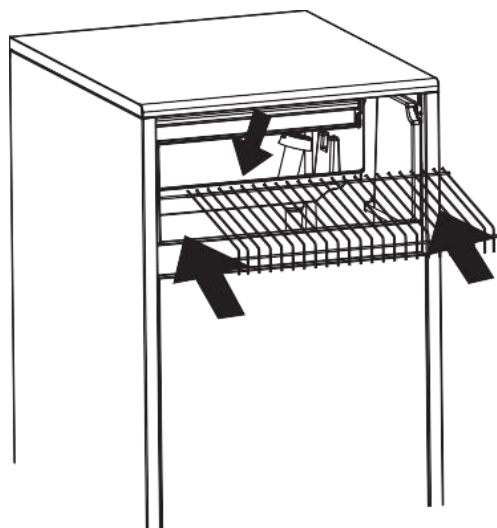
01



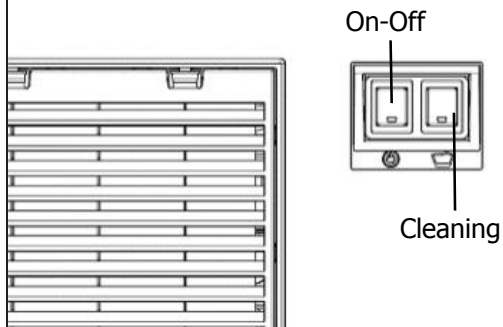
02



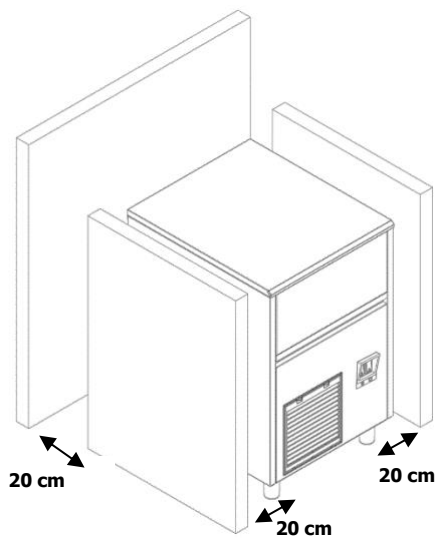
03



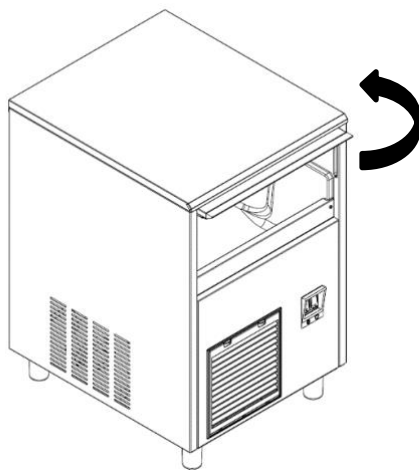
04



05



06



Safety Instructions

When using electrical appliances, basic safety precautions should be followed to reduce the risk of fire, electric shock, and injury to persons or property. Read all instructions before using the appliance.

- Position on a flat, stable surface.
- A service agent/qualified technician should carry out installation and any repairs if required. Do not remove any components or service panels on this product.
- Consult Local and National Standards to comply with the following:
 - Health and Safety at Work Legislation
 - BS EN Codes of Practice
 - Fire Precautions
 - IEE Wiring Regulations
 - Building Regulations
- DO NOT immerse in water, or use steam/jet washers to clean the unit.
- DO NOT cover the appliance when it is operating.
- Always carry, store and handle the appliance in a vertical position.
- Never tilt the appliance more than 45° from the vertical.
- ONLY use drinking or potable water when making ice cubes.
- Ensure the water pressure of the connected water supply is between 100kPa - 500kPa (14.5-72.5psi).
- Water temperature should be between 10°C and 30°C.
- For indoor use only.
- Replace any unused water in the tank at least once every 24 hours.
- Keep all packaging away from children. Dispose of the packaging in accordance with the regulations of local authorities.

- This appliance can be used by children aged from 8 years and above and persons with reduced physical, sensory or mental capabilities or lack of experience and knowledge if they have been given supervision or instruction concerning use of the appliance in a safe way and understand the hazards involved.
- Children shall not play with the appliance.
- Cleaning and user maintenance shall not be made by children without supervision.
- If the power cord is damaged, it must be replaced by a POLAR agent or a recommended qualified technician in order to avoid a hazard
- POLAR recommend that this appliance should be periodically tested (at least annually) by a Competent Person. Testing should include, but not be limited to: Visual Inspection, Polarity Test, Earth Continuity, Insulation Continuity and Functional Testing.
- When positioning the appliance, ensure the supply cord is not trapped or damaged.
- **WARNING:** Do not locate multiple portable socket outlets or portable power supplies at the rear of the appliance.
- Do not run the power cord under carpeting or other heat insulators. Do not cover the cord. Keep cord away from high traffic areas, and do not submerge in water.
- Do not clean your ice maker with flammable fluids. The fumes can create a fire hazard or explosion.

- We do not recommend the use of an extension cord, as it may overheat and lead to a risk of fire. Unplug the ice maker before cleaning, making any repairs or servicing.
- POLAR recommend that this product is connected to a circuit protected by an appropriate RCD (Residual Current Device).

Warning: Risk of Fire flammable materials



- Refrigerant R600a / R290, is natural gas with high environmental compatibility, but also combustible. When transporting and installing, ensure that no parts of refrigerating circuit are damaged. Refrigerant leaked from the refrigerating pipes could ignite. If leaking is detected, to avoid any potential source of ignition (spark, naked flames, etc.), please open window or door, and keep good ventilation.
- Do not store explosive substances such as aerosol cans with a flammable propellant in this appliance.

Warning: Keep all ventilation openings clear of obstruction. Unit should not be boxed in without adequate ventilation.

- Warning: Do not use mechanical devices or other means to accelerate the defrosting process, other than those recommended by the manufacturer.
- Warning: Do not damage the refrigerant circuit.
- Warning: Do not use electrical appliances inside the food storage compartments of the appliance.

Introduction

Please take a few moments to carefully read through this manual. Correct maintenance and operation of this machine will provide the best possible performance from your POLAR product.

The ice maker is designed to make ice cubes and should not be used as storage to preserve foods, drinks, etc.

Pack Contents

The following is included:

- Ice Maker
- Ice scoop
- Inlet/Outlet hoses
- Sealing washers
- Instruction manual

POLAR prides itself on quality and service, ensuring that at the time of packaging the contents are supplied fully functional and free of damage. Should you find any damage as a result of transit, please contact your POLAR dealer immediately.

Note: Only use the hoses supplied with the appliance. Other hoses are not suitable and should not be used.

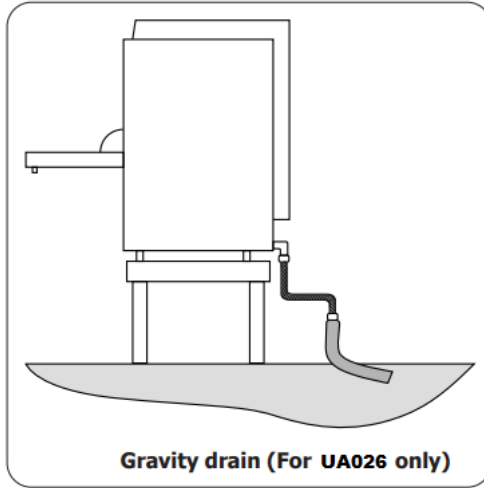
Installation

Note: If the unit has not been stored or moved in an upright position, let it stand upright for approximately 12 hours before operation. If in doubt allow to stand.

1. Remove the appliance from the packaging and remove the protective film from all surfaces.
2. Remove the Scoop, Inlet/Outlet hoses and Sealing Washers from the ice bin.
3. To optimize performance and longevity, ensure a minimum clearance of 20cm is maintained between the unit and walls and other objects, with a minimum 20cm clearance on the top. NEVER LOCATE NEXT TO A HEAT SOURCE. (See Figure-5).
4. Do not place objects in front of the ventilation filter of your ice maker that might prevent air circulation into your product.
5. Do not place your product outdoors. This product is designed to be used indoors.
6. If necessary, adjust the screw legs of the ice maker to make it level. The efficiency of the ice maker can be reduced if the appliance is unevenly located.
7. Connect one end of the corrugated outlet hose to the water outlet on the rear of the ice maker.
8. Attach the other end of the hose to a plumbed in stand waste pipe or container suitable for collecting waste water.

Installing the Drain - for UA026 only:

- **Please note: this model drains via gravity - no drain pump supplied. An optional drain pump is required if installing this unit lower than the drain standpipe.**
- **Ensure the end of the drainage pipe is situated lower than the Water Outlet valve for efficient drainage.**



Installing the Cold Water Feed

9. Place the sealing washers on the water inlet at the back of the ice maker and attach one end of the inlet hose.
10. Connect the other end of the inlet hose to the water supply.

Operation

Making Ice

Note: Before using for the first time (or after a period of inactivity), clean the water tank, ice basket and ice basket shelf. Use the first ice making cycle to flush out the system. Discard the water and ice created from the first cycle.

1. Make sure that the power outlet you are using for your ice-maker is live and has power.
2. Turn on the water.
3. Set the On-Off button at the front of your product to the On position. (When you set it to the On position, the power light on the button will turn on.)
4. **The product will automatically go into a delay-time mode for 5 minutes after it is turned on.**
5. At the end of the delay-time mode, the product will start getting water and making ice.
6. Your product will complete the ice-making cycle after a certain time, depending on the ambient and water temperature.

To avoid contamination of ice, please respect the following instructions:

- Opening the door for long periods can cause a significant increase of the temperature in the compartments of the appliance.
- Clean regularly surfaces that can come in contact with ice and accessible drainage systems.
- Clean water tanks if they have not been used for 48h; flush the water system connected to a water supply if water has not been drawn for 5 days.
- If the refrigerating appliance is left empty for long periods, switch off, defrost, clean, dry, and leave the door open to prevent mould developing within the appliance.

Cleaning, Care & Maintenance

- Always switch off and disconnect the power supply before cleaning.
- Warm, soapy water is recommended for cleaning. Cleaning agents may leave harmful residues. DO NOT wash the base unit, instead wipe the exterior with a damp cloth.
- Clean the water filter regularly with a small brush, particularly in hard water areas. The water filter is located just inside the water inlet at the back of the appliance.
- If the Ice Maker is to be left unused for longer than 24 hours, loosen the drain valve cap and drain the water from the tank.
- The inner removable parts and water tank should be cleaned regularly.

Cleaning Exterior of the Ice Maker

The exterior of your ice-maker is made of stainless steel. Wipe the exterior surfaces with a cotton damp cloth or a sponge and then wipe it with a dry, clean cotton cloth.

Cleaning of the Sprayer System

1. Make sure the water and electrical connections of the product are off.
2. Remove all the ice from the storage bin.
3. The power switch should be off, and the water inlet valve should be opened.
4. Remove the slide grate located inside the inner basin and then remove the level discharge plastic from its slot. (See Figure-2)
5. Place the water level drain plastic group back to its slot after discharging the water inside the pool. (See Figure-3)
6. Pour the cleaning solution into the water pool.
7. Select the 'cleaning' setting on your product, then turn the power switch to the "On" position.
WITHIN 30 SEC OF TURNING ON THE POWER, YOU MUST PRESS AND HOLD THE 'CLEANING' BUTTON FOR 9 SEC. (See Figure-4)
8. The cleaning process will continue for 10 minutes.
9. At the end of the cleaning cycle, remove all the produced ice from storage bin.

Do not turn off the product while cleaning is in progress.

After the cleaning process, discharge the water inside the inner basin. ([See figure 2](#))

Cleaning of the Ice Storage Bin

1. To clean the ice bin, first turn the power switch to the "Off" position, then disconnect the product from the main power supply.
2. Drain any ice completely from the ice bin.
3. Wipe the inside of the ice bin with cleaning solution / soapy cloth and then rinse / dry.
4. Take care not to allow any lime and/or cleaning solution residue to remain.

Notes for Descaling:

- In hard water areas lime scale can build up within the appliance after prolonged use. We suggest installing a water filter before inlet of water in case the supplied water is hard.
- To descale, always choose a suitable descaler and follow the manufacturer's instructions.
- POLAR recommend that this appliance is descaled every 2 months or more frequently in hard water areas

Shutting Off The Ice Maker

Set the power button at the front of your Ice Maker to "Off" position.

Unplug the product if you are not going to use the ice-maker for a long time.

Turn off the water.

There are some malfunction and warning signals defined for the Red light on the power button of the product as detailed in the chart below.

Function Mode	On	Off
Cleaning	3 sec	1 sec
Fault	2 sec	2 sec
Ice Bin Full	1 sec	1 sec

Technical Specifications

Note: Due to our continuing program of research and development, the specifications herein may be subject to change without notice.

Model	Voltage	Power	Current	Bin Storage	Max Ice Making Capacity *	Refrigerant	Dimensions H x W x D mm	Weight
UA026	230v 50hz	300w	2A	4kg	22kg	R290	590x355x435	22kg
UA027	230v 50hz	400w	2.4A	16kg	33kg	R290	690x500x580	33kg
UA028	230v 50hz	550w	3.8 A	28kg	47kg	R290	800x400x580	47kg
UA029	230v 50hz	1100w	5.5A	60kg	85kg	R290	822x738x600	85kg

* Indicates the 24hr ice making capacity of the product at 20°C Ambient and 10°C water inlet temperature.

Troubleshooting

A qualified technician should carry out repairs if required.

Malfunction	Probable Reason	Solution
Ice Maker does not work	Power button is Off	Set the power button to the "On" position
	The power connection is faulty	Get the power connection checked by a qualified electrician
	The Ice Maker is in protection mode	Check the place selection instructions of the ice maker. Ice Maker does not receive adequate amount of air
	No power in the outlet	Check the fuse connected to the outlet
The compressor stops shortly after it starts working	Ambient temperature is very high	Check the place selection instructions of the ice maker. Ice Maker does not receive adequate amount of air. Clean the ventilation filter
Ice Set is cooled but the water inside the water pool is insufficient	Grid voltage is low	Get the power connection checked by a qualified electrician
	Water valve is faulty	Call POLAR agent or qualified technician
	Water supply pressure is low	Make sure that the water supply pressure is greater than 1 Bar
	Water level drain plastic group seeps	Place the water level plastic group to its slot tightly
Ices are not transparent	Water nozzle is blocked	Water nozzle sprayer should be checked. The blocked nozzles should be cleaned.
	Water pool is dirty	Clean the Ice Maker by following the cleaning instructions
	Pressure of the water pump is low	Call POLAR agent or qualified technician.
	The water is blurry / dirty / chlorinated	Use a water filter
Ices are much smaller than they should be.	Water is insufficient	Place the water level plastic group to its slot tightly.
	Cooling system is faulty	Check the water main connection for the water leakage. Call POLAR agent or qualified technician
Ices are much bigger than they should be.	Time setting is incorrect	Call POLAR agent or qualified technician
	Sensor is faulty	Call POLAR agent or qualified technician
The quantity of the ice is insufficient	Gas leakage in the defrost solenoid	Call POLAR agent or qualified technician
	Water valve is faulty	Call POLAR agent or qualified technician
Device does not stop when the ice bin is full	Sensor is faulty	Call POLAR agent or qualified technician

Electrical Wiring

POLAR appliances are supplied with a 3 pin BS1363 plug and lead.

The plug is to be connected to a suitable mains socket.

POLAR appliances are wired as follows:

- Live wire (coloured brown) to terminal marked L
- Neutral wire (coloured blue) to terminal marked N
- Earth wire (coloured green/yellow) to terminal marked E



This appliance must be earthed.

If in doubt consult a qualified electrician.

Electrical isolation points must be kept clear of any obstructions.

In the event of any emergency disconnection being required they must be readily accessible

Disposal

EU regulations require refrigeration product to be disposed of by specialist companies who remove or recycle all gasses, metal and plastic components.

Consult your local waste collection authority regarding disposal of your appliance. Local authorities are not obliged to dispose of commercial refrigeration equipment but may be able to offer advice on how to dispose of the equipment locally. Alternatively call the POLAR helpline for details of national disposal companies within the EU.

Compliance

The WEEE logo on this product or its documentation indicates that the product must not be disposed of as household waste. To help prevent possible harm to human health and/or the environment, the product must be disposed of in an approved and environmentally safe recycling process. For further information on how to dispose of this product correctly, contact the product supplier, or the local authority responsible for waste disposal in your area.



POLAR parts have undergone strict product testing in order to comply with regulatory standards and specifications set by international, independent, and federal authorities.



POLAR products have been approved to carry the following symbol

All rights reserved. No part of these instructions may be produced or transmitted in any form or by any means, electronic, mechanical, photocopying, recording or otherwise, without the prior written permission of POLAR. Every effort is made to ensure all details are correct at the time of going to press, however, POLAR reserve the right to change specifications without notice.

DECLARATION OF CONFORMITY

• Conformanceverklaring • Déclaration de conformité • Konformitätserklärung • Dichiarazione di conformità •
• Declaración de conformidad

Equipment Type • Uitrustingstype • Type d'équipement • Gerätetyp • Tipo di apparecchiatura • Tipo de equipo		Model • Modèle • Modell • Modello • Modelo	
Ice Maker 21Kg/24hr Ice Maker 33Kg/24hr	Ice Maker 47Kg/24hr Ice Maker 85Kg/24hr	UA026 (& -E) UA027 (& -E)	UA028 (& -E) UA029 (& -E)
Application of Territory Legislation & Council Directives(s) Toepassing van Europese Richtlijn(en) • Application de la/des directive(s) du Conseil • Anwendbare EU-Richtlinie(n) • Applicazione delle Direttive • Aplicación de la(s) directiva(s) del consejo	Machinery Directive 2006/42/EC Supply of Machinery (Safety) Regulations 2008 (BS) EN 60335-1:2012 +A11:2014 +A13:2017 +A1:2019 +A14:2019 + A2:2019 (BS) EN 60335-2-89:2022 +A1:2022 (BS) EN 62233:2008 Electro-Magnetic Compatibility (EMC) Directive 2014/30/EU - recast of 2004/108/EC Electromagnetic Compatibility Regulations 2016 (S.I. 2016/1091) (BS) EN IEC 55014-1:2021 (BS) EN IEC 55014-2:2021 (BS) EN IEC 61000-3-2:2019 +A1:2021 (BS) EN 61000-3-3: 2013 +A1:2019 +A2:2021 Restriction of Hazardous Substances Directive (RoHS) 2015/863 amending Annex II to Directive 2011/65/EU Restriction of the Use of Certain Hazardous Substances in Electrical and Electronic Equipment Regulations 2012 (S.I. 2012/3032)		
Producer Name • Naam fabrikant • Nom du producteur • Name des Herstellers • Nome del produttore • Nombre del fabricante		Polar	

I, the undersigned, hereby declare that the equipment specified above conforms to the above Territory Legislation, Directive(s) and Standard(s).

Ik, de ondergetekende, verklaar hierbij dat de hierboven gespecificeerde uitrusting goedgekeurd is volgens de bovenstaande Richtlijn(en) en Standaard(en).

Je soussigné, confirme la conformité de l'équipement cité dans la présente à la / aux Directive(s) et Norme(s) ci-dessus

Ich, der/die Unterzeichnende, erkläre hiermit, dass das oben angegebene Gerät der/den oben angeführten Richtlinie(n) und Norm(en) entspricht.

Il sottoscritto dichiara che l'apparecchiatura di sopra specificata è conforme alle Direttive e agli Standard sopra riportati.

El abajo firmante declara por la presente que el equipo arriba especificado está en conformidad con la(s) directiva(s) y estándar(es) arriba mencionadas.

Date • Data • Date • Datum • Data •

Fecha • Data

Signature • Handtekening • Signature •
Unterschrift Firma • Firma

Full Name • Volledige naam • Nom et
prénom • Vollständiger Name • Nome
completo • Nombre completo

Position • Functie • Fonction • Position •
Qualifica • Posición

Producer Address • Adres fabrikant •
Adresse du producteur • Anschrift des
Herstellers • Indirizzo del produttore •
Dirección del fabricante

22 nd May 2023	
DocuSigned by: <i>Ashley Hooper</i> B39382C9FD9C478...	DocuSigned by: <i>Eoghan Donnellan</i> D352874F7FAB460...
Ashley Hooper	Eoghan Donnellan
Technical & Quality Manager	Commercial Manager/ Importer
Fourth Way, Avonmouth, Bristol, BS11 8TB United Kingdom	Unit 9003, Blarney Business Park, Blarney, Co. Cork Ireland





UK	+44 (0)845 146 2887
Eire	

POLAR



<http://www.polar-refrigerator.com/>



UA026 to UA029_EN_A5_v1_2023/07/24