



CG4/N - Silverlink 600 Natural Gas Counter-top Chargrill - W 450 mm - 16.4 kW

Create that distinctive chargrilled flavour and branded appearance without the need for messy lava rocks with the Silverlink 600 Gas Chargrill.

- ✓ Uses radians which replaces the need for using messy lava rocks
- ✓ Twin zones for maximum flexibility
- ✓ The variable heat control and heat retaining cooking grids produce the clean, sharp chargrilled marks
- ✓ Splashguard to protect surrounding surfaces from splashes
- ✓ Removable branding bars to allow for easy cleaning and access
- ✓ Drip draw to collect all the cooking liquids to reduce cleaning times

Specifications

Summary

Range Name	Silverlink 600
Power Type	Gas
Gas Type	Natural Gas
Unit Type	Counter-top
Available in UK Only	No
UK Warranty	2 Years Parts and Labour Warranty
Export Warranty	Contact your local dealer
GTIN Code	5056105104520

Power and Performance

BTU per Hour	55,956
Total Power kW	16.4
Cooking Area (Width x Depth) mm	375 x 440
Temperature Control	Mechanical

Key Specifications

Number of Heat Zones	2
-----------------------------	---

Weights and Dimensions

Unit Height (External) mm	414
Unit Width (External) mm	450
Unit Depth (External) mm	652
Net Weight Kg	27

Supply Connections

Requires Installation	Yes
Requires Electrical Supply	No
Gas Connection BSP	1/2"
Gas Consumption at full rate Natural m³ per Hour	1.56
Gas Pressure Natural mbar	20.0
Total heat input at full rate Natural kW	14.3
Total heat input at full rate Natural BTU per hour	48,800

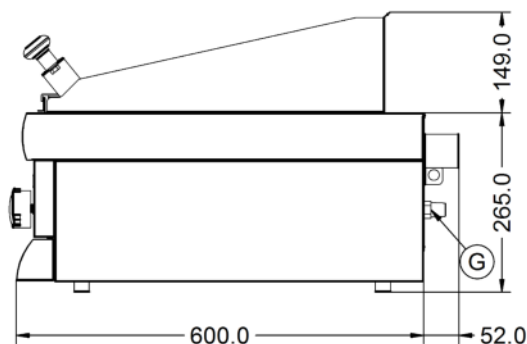
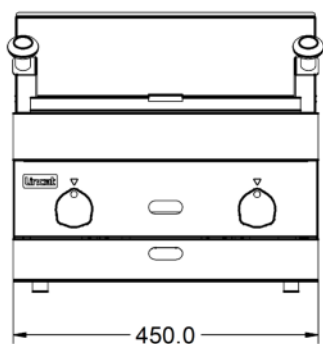
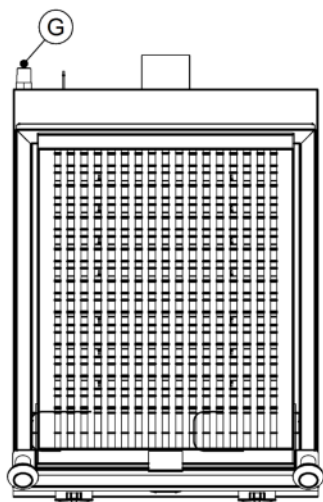
Shipping

Packed Weight Kg	35.5
Packed Height cm	63.5
Packed Width cm	70
Packed Depth cm	55

Available Accessories

CH01	CATERFLEX HOSE 1/2*1 METRE
CH02	CATERFLEX HOSE 1/2*1.5 METRE
CN4	Silverlink 600 Free-standing Ambient Open-Top Pedestal without Doors - W 450 mm
SLS4	Silverlink 600 Free-standing Floor Stand - for units W 450 mm

Technical Picture



Lincat Limited

Whisby Road,
Lincoln, LN6 3QZ,
United Kingdom

Company No: 2175448

A member company of



Customer Care

Tel: +44 1522 875500
Email: care@lincat.co.uk

Export Customers

Tel: +44 1522 503250
Email: export@lincat.co.uk

Opening Hours

Monday – Friday:
8.30am – 5pm