



VACUUM SEALER SU-416

Tabletop model. 16 m³/h. 420 mm.



FEATURES AND BENEFITS

- ✓ Powered by Busch.
- ✓ Vacuum controlled by sensor.
- ✓ Vacuum PLUS.
- ✓ LCD colour screen: all information at a glance.
- ✓ Backlit touch keyboard.
- ✓ Programmable: 25-programme memory. Blocking option.
- ✓ "Pause" button.
- ✓ Phased vacuum programme.
- ✓ Detection of the evaporation of liquids.
- ✓ Double seal.
- ✓ Cordless sealing bar.
- ✓ Progressive decompression.
- ✓ Vac-Norm ready with Automatic decompression.
- ✓ Stainless steel body and chamber. Deep-drawn chamber.
- ✓ Damped transparent lid of high durability polycarbonate.
- ✓ Dry-oil programme for drying the pump.
- ✓ Working hours counter for oil changes.
- ✓ Safety system with protection against vacuum failure.

INCLUDES

- ✓ BUSCH pump.
- ✓ Sensor Controls.
- ✓ 25 programmable settings.
- ✓ Vacuum PLUS: up to 10 seconds of extra vacuum pull.
- ✓ Soft air function.
- ✓ Clear methacrylate lid.
- ✓ "PAUSE" function.
- ✓ Liquid detection system.
- ✓ Dry oil cycle.
- ✓ NSF Approved.
- ✓ Filling plate.



SALES DESCRIPTION

- 420 mm. sealing bar.
- 16 m³/h Busch vacuum pump.
- Vacuum controlled by sensor.



SAMMIC, S.L.
Basiglio, 1 - 20720 ASK011TA
www.sammic.com



www.sammic.co.uk
Food Service Equipment Manufacturer
 Unit 2, Trevanah Road
 Troon Industrial Park
 LE4 9LS - Leicester
 uksales@sammic.com
 Tel.: +44 0116 246 1900



Project	Date
Item	Qty
Approved	

FOOD PRESERVATION AND SOUS-VIDE
VACUUM PACKING MACHINES - "SENSOR ULTRA" LINE

product sheet
updated 06/03/2018



VACUUM SEALER SU-416

Tabletop model. 16 m³/h. 420 mm.



SPECIFICATIONS

Pump capacity: 16 m³/h

Bar length: 420 mm

Total loading: -- W

Vacuum pressure (maximum): 2 mbar

Internal dimensions

✓ Width: 430 mm

✓ Depth: 415 mm

✓ Height: 180 mm

External dimensions (WxDxH)

✓ Width: 484 mm

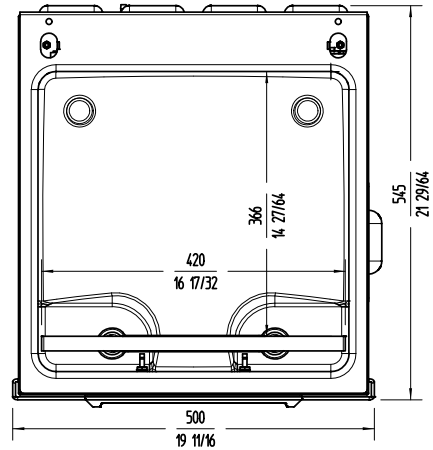
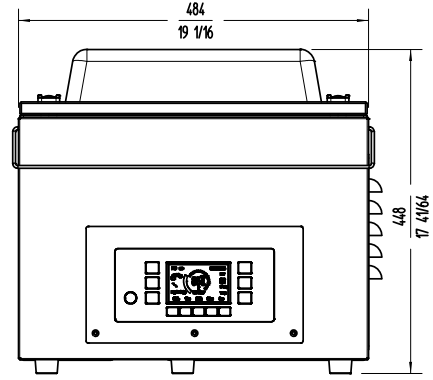
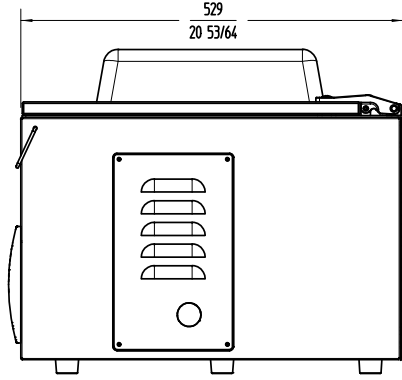
✓ Depth: 529 mm

✓ Height: 448 mm

Net weight: 65 Kg

Noise level (1m.): 75 dB(A)

Background noise: 32 dB(A)



AVAILABLE MODELS

1140760 Vacuum packing machine SU-416 230/50-60/1

* Ask for special versions availability

ACCESSORIES

- Bag cutting kits
- Filling plates
- Liquid insert plates
- Vac-norm external vacuum kits
- Vac-norm containers
- Smooth bags for vacuum packing
- Trolley for vacuum packing machines
- CG2 Desktop printer for SU vacuum packing machines *
- Thermal labels for CG2 printer

FOOD PRESERVATION AND SOUS-VIDE
VACUUM PACKING MACHINES - "SENSOR ULTRA" LINE



www.sammic.co.uk

Food Service Equipment Manufacturer

Unit 2, Trevanah Road
Troon Industrial Park
LE4 9LS - Leicester

uksales@sammic.com
Tel.: +44 0116 246 1900



Project

Date

Item

Qty

Approved

product sheet
updated 06/03/2018