



C0100/FS - Lincat Convector Floor Stand for C0133M/C0133T Convection Ovens - with 4 Runners - W 610 mm

This Convector floor stand is designed to support 610mm wide Convector ovens.

- ✔ Suitable for C0113M; C0113T models
- ✔ Robust stainless steel design
- ✔ Shelf design to accommodate GN2/3 and 460 x 330 baking sheets and gastronorms
- ✔ 4 shelves provide handy storage for baking sheets and gastronorms with or without product
- ✔ Easy clean removable shelves
- ✔ Perforated design to promote air flow and prevent condensation build up
- ✔ Supplied with castors to aid cleaning (2 with brakes)
- ✔ Shelf spacing 117mm
- ✔ Locating rings to secure the Convector oven in place
- ✔ Self assembly

Specifications

Summary

Brand	Lincat
Range	Convector
Unit Type	Free-standing
Available in UK Only	No
UK Warranty	2 Years Parts and Labour Warranty
Export Warranty	Contact your local dealer
GTIN	5056105118404

Key Specifications

Number of Shelves included	4
Number of Shelf Positions	4

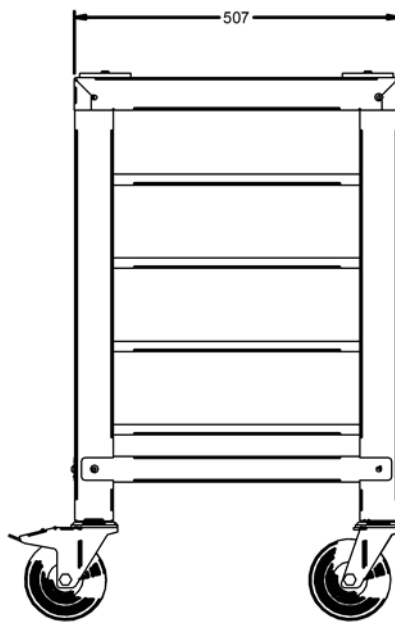
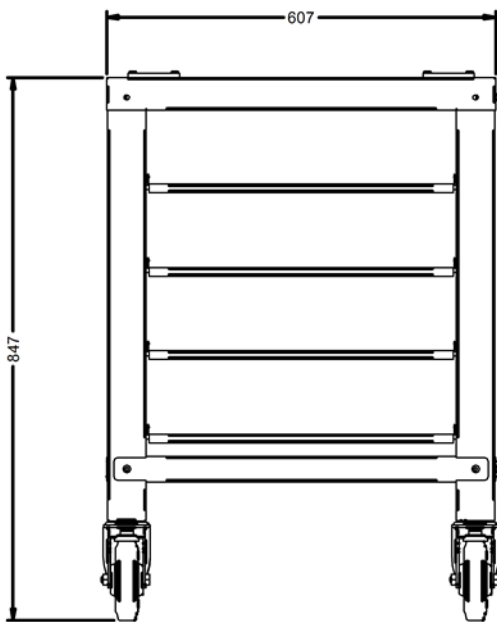
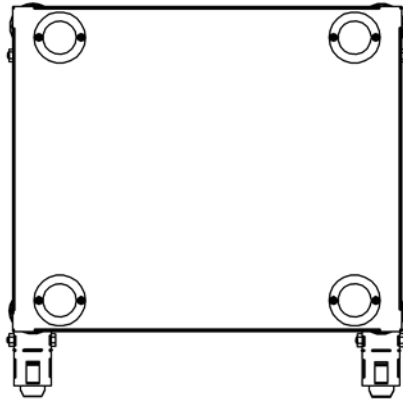
Weights and Dimensions

Unit Height (External) mm	847
Unit Width (External) mm	607
Unit Depth (External) mm	507
Shelf Dimensions Width mm	477
Shelf Dimensions Depth mm	482
Net Weight Kg	0

Shipping

Packed Weight Kg	0
Packed Height cm	0
Packed Width cm	0
Packed Depth cm	0

Technical Picture



Lincat Limited

Whisby Road,
Lincoln, LN6 3QZ,
United Kingdom

Company No: 2175448

A member company of



Customer Care

Tel: +44 1522 875500
Email: care@lincat.co.uk

Export Customers

Tel: +44 1522 503250
Email: export@lincat.co.uk

Opening Hours

Monday – Friday:
8.30am – 5pm