



HOSHIZAKI

CF 35 SG UK CHEST FREEZER

PRODUCT SERIES: CF
ITEM NUMBER: 813939016
COUNTRY OF ORIGIN: DENMARK



Hydro Carbon Chest Freezer equipped with lift up stainless lid, handle and lock, defrost water drain complete with 2 wire baskets. It has a gross volume of 323Ltr.

- Adjustable thermostat, power indicator
- Stainless steel lid
- Lockable handle
- Protected drain to reduce blockages
- Supplied on castors as standard
- Exterior: White
- Interior: Hammered aluminium

ACCESSORIES INCLUDED

2 wire baskets

WARRANTY PERIOD

3 Years on Parts & Labour

EXTERIOR

White Finish

INTERIOR

Hammered aluminium

Refrigerant type: R600a

Energy consumption	Energy efficiency class
482 kWh	C

CERTIFICATIONS





HOSHIZAKI

CF 35 SG UK

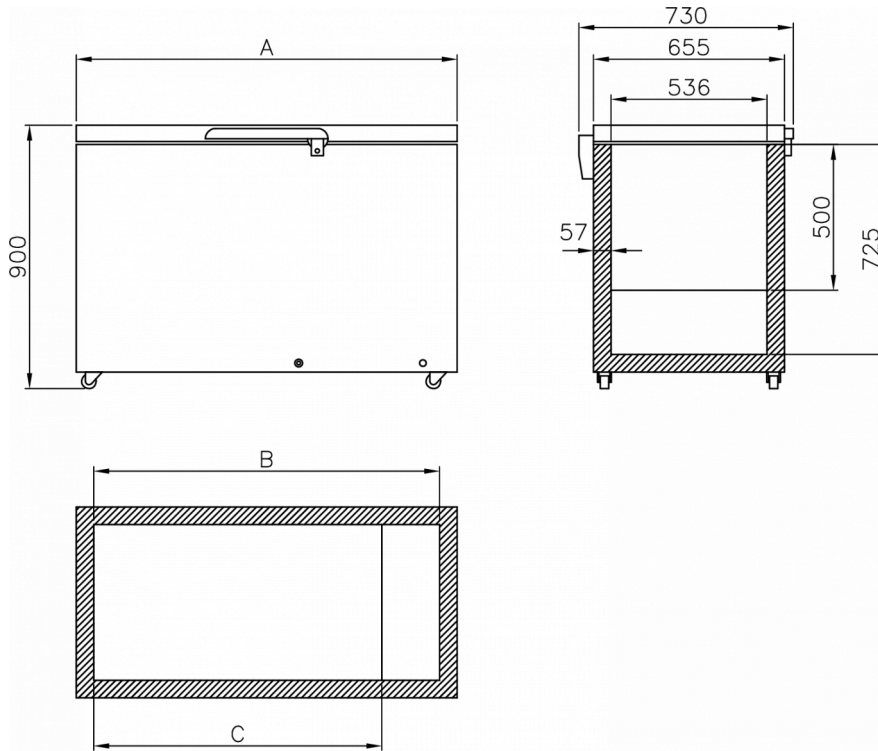
TECHNICAL SPECIFICATIONS

Temperature range	Volume, gross	Net usable volume	Power supply	Connection load	Sound level
-22/-14°C	323 l	279 l	230V, 50 Hz	102 kW	49 dB(A)

SHIPPING SPECIFICATIONS

Width (packed)	Depth (packed)	Height (packed)	Volume (packed)	Width	Depth	Height	Net weight
1,350 mm	760 mm	940 mm	0.964 m ³	1,050 mm	730 mm	900 mm	54 kg

Disclaimer: Every effort has been made to ensure that the information contained in this spec sheet is accurate at the time of publishing. Hoshizaki Europe BV assumes no responsibility or liability for typographical errors or omissions or for any misinterpretation of the information within the publication and reserves the right to change without notice.



Model	A	B	C
CF 35	1050	936	736
CF 45	1300	1186	986
CF 53	1500	1386	1186
CF 61	1700	1586	1386



Hoshizaki Belgium
Hoshizaki Danmark
Hoshizaki Deutschland
Hoshizaki France
Hoshizaki Iberia
Hoshizaki Italia
Hoshizaki Middle East

info@hoshizaki.nl
info@hoshizaki.dk
vertrieb@hoshizaki.de
info@hoshizaki.fr
info@hoshizaki.es
commerciale@hoshizaki.it
sales.ex@hoshizaki-europe.com

Hoshizaki Netherlands info@hoshizaki.nl
Hoshizaki Norge salg@hoshizaki.no
Hoshizaki Sverige orderSE@hoshizaki.dk
Hoshizaki UK uksales@hoshizaki.uk
Export countries sales.ex@hoshizaki-europe.com
Other countries sales.ex@hoshizaki-europe.com

www.hoshizaki.uk