

ARCHWAY

KEBAB SLICER

AR1

**INSTALLATION
AND
USER INSTRUCTIONS**

13 Brunswick Industrial Park
Brunswick Way
London
N11 1JL
Tel: +44 (0)20 8365 0760
Fax: +44 (0)20 8365 9670

CONDITIONS OF INSTALLATION: **IMPORTANT**

This manual is part of the product and should be read thoroughly prior to use.

WARNING: THIS APPLIANCE MUST BE EARTHED.

WARNING:

- All plastic coatings **MUST** be removed prior to first use.
- Airflow vents must **NOT** be blocked.
- All regulations for fire must be complied with.
- Disconnect the mains power supply before removing any panels.

ELECTRICAL SUPPLY:

Electrical ratings are shown on the unit data plate. The wires are coloured with the following codes. In accordance with (BS 7671)

Earth Green/yellow	Neutral Blue	Live Brown
-----------------------	-----------------	---------------

If the supplied plug is damaged or is removed, a 3-pin replacement plug must be installed in the following procedure:

1. Connect the green and yellow wire to the terminal (in the plug) marked 'E' (EARTH), marked with the earth symbol or coloured green or green & yellow.
2. Connect the blue wire to the terminal marked 'N' (NEUTRAL) or coloured black.
3. Connect the brown wire to the terminal marked 'L' (LIVE) or coloured red.
4. The 3-pin plug must be fitted with a 5 Amp fuse.

Never use the plug without the fuse cover fitted and never insert a cut off plug into a 13Amp socket.

Alternative plugs must be protected with a fuse of the appropriate rating (see specification). When replacing a fuse always use a BS1362 approved type of the appropriate rating (see specification).

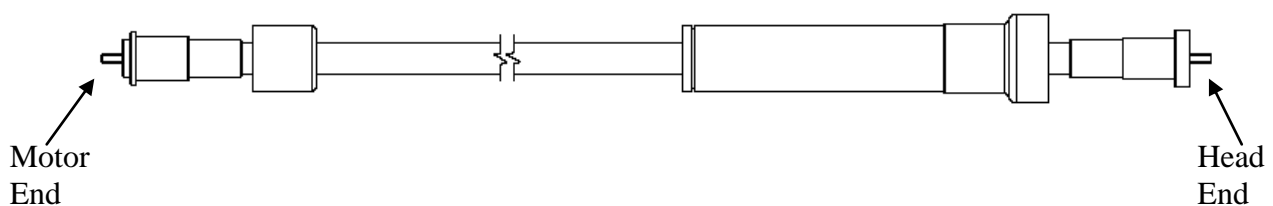
A qualified electrician must install all appliances with an electrical loading of over 3kw. In accordance with Health and Safety at Work Act, BS codes of practice, IEE regulations, building standards, fire precautions act, and local authority and building regulations etc.

SAFETY PRECAUTIONS:

- Do not use slicer or activate air foot pedal without the Thickness adjuster in position.
- Handle blade with extreme care.
- Disconnect mains power prior to cleaning or changing parts.
- Use only genuine parts supplied by Archway.
- Do not put fingers into the head whilst blade is turning.
- Do not allow unauthorised personnel to use the slicer.
- Do not allow children to use or play with the slicer.
- Replace damaged or worn parts immediately.
- Slicer head must be cleaned as described daily.
- Do not leave slicer unattended while the on/off switch is in the ON position.
- Turn off when not in use.

INSTALLATION:

- Remove plastic coating from slicer unit.
- Connect air foot pedal to air switch nozzle situated on the motor box.
- Connect flexible drive cable to motor box and to the slicer head (See below).
- Connect mains plug to slicer unit and to mains power socket.



USER INSTRUCTIONS:

- Turn on main power supply for the Unit.
- Position and tighten thickness adjuster to give the desired meat thickness.
- Turn On/Off switch On (Red Neon will illuminate).
- Use foot pedal to start blade turning to enable user to cut meat (blade will stop turning once foot pedal is released).
- Remove Slicer away from kebab grill heat to avoid flexible drive cable becoming damaged.

Caution: Slicer blade is extremely sharp and dangerous.

CLEANING INSTRUCTIONS:

- 1). Before commencing cleaning process, disconnect unit from electrical supply.
- 2). Remove head from flexible cable.
- 3). Remove thickness adjuster, blade cover and blade as described on page 5.
- 4). Clean head, thickness adjuster, blade and blade cover with a soap or detergent solution and thoroughly wipe dry after cleaning. Use a small soft brush for stubborn particles.

WARNING: Handle blade with extreme care.

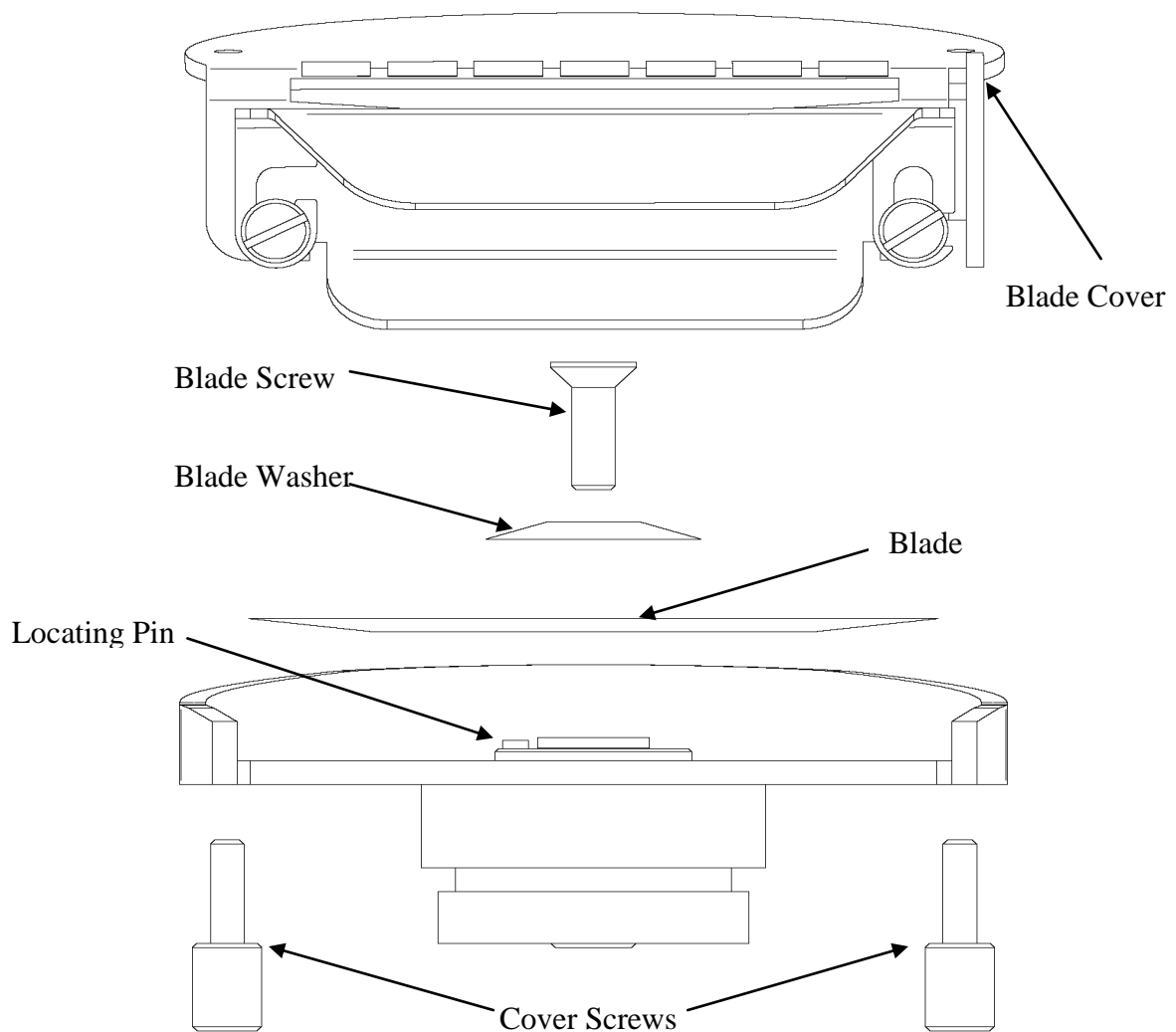
- 5). Do not use a water jet or steam hose, solvents, bleach, caustic cleaners, biological powders or coarse abrasives to clean any part of this unit.
- 6). Ensure water does not touch the electrical components.

MAINTENANCE:

GREASING INNER DRIVE CABLE:

- 1). Remove head from handle shaft.
- 2). Remove flexible outer drive cable from motor box.
- 3). Remove inner drive cable from flexible outer drive cable.
- 4). Clean inner drive cable of old grease and dirt.
- 3). Using food grade grease, apply to inner drive cable (repeat procedure at least once a month).
- 4). Reassemble in reverse order.

REPLACEMENT OF BLADE:



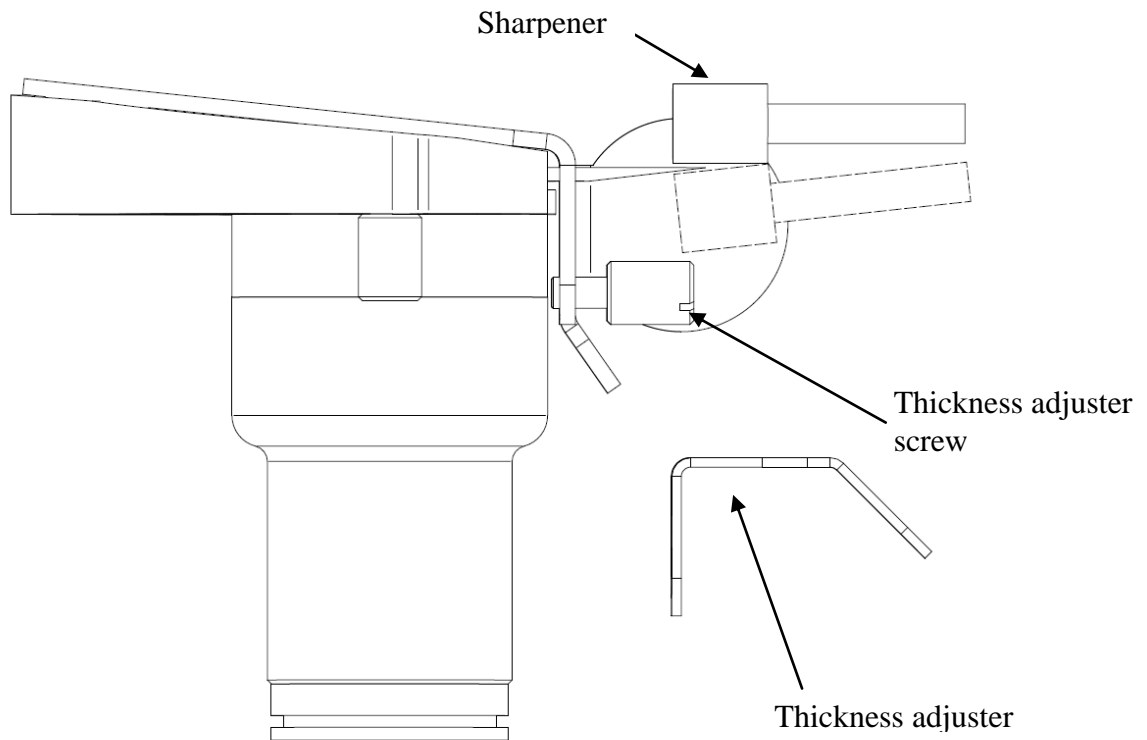
Warning: The blade must be handled with care at all times.

- 1) Disconnect mains power supply.
- 2) Remove cover screws and lift blade cover away from head.
- 3) Unscrew blade screw using correct allen key.
- 4) Remove blade and replace with new one.

Note: Ensure new blade is positioned with flat side facing up (as shown above) and blade hole is positioned over locating pin.

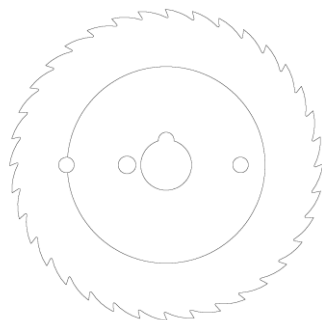
- 5) Replace blade screw and washer and then fit cover back.

SHARPENING OF BLADE:



- 1) Loosen thickness adjuster screws and remove thickness adjuster.
- 2) Using sharpener, hold against edge of blade while blade is rotating.
Warning: Always wear appropriate safety gloves whilst sharpening blade.
- 3) Repeat this for the other side of blade.
- 4) Replace thickness adjuster as required.

BLADE WITH TEETH:



Blade with teeth is required for chicken and other rough meat.
To install or replace blade use same procedure as standard blade.
Thickness adjuster gap must be fully opened when using this blade.
To sharpen this blade please contact Archway on 0208 3650760.

SPECIFICATION

Model	Width	Depth	Height	Weight	Inner Drive Cable Length	Outer Drive Cable Length	Load	Amps	Supply
AR1	160mm	245mm	215mm	7kg	1475mm	1450mm	120W	1.2A	240V

TROUBLESHOOTING

PROBLEM	CAUSE	CORRECTION
Motor not turning	<ul style="list-style-type: none"> • No power (on/off switch light off). • Faulty foot pedal. • Motor over-heated. • Faulty On/Off switch. • Faulty Motor. 	<ul style="list-style-type: none"> • Check power supply/fuse. • Replace Foot pedal. • Allow 20 minutes to cool. • Replace On/Off switch. • Replace motor.
Head Noisy	<ul style="list-style-type: none"> • Blade fitted incorrectly. • Faulty/worn out bearings. • Shaft worn or damaged. • Head damaged. 	<ul style="list-style-type: none"> • Refit blade correctly. • Replace bearings. • Replace Shaft. • Replace Head.
Flex Noisy	<ul style="list-style-type: none"> • No grease in flexible drive • Outer cover worn. • Vibration from loose parts. 	<ul style="list-style-type: none"> • Apply grease to flex. • Replace outer cover. • Check for loose parts.
Motor Noisy	<ul style="list-style-type: none"> • Damaged motor. • Vibration from loose parts. 	<ul style="list-style-type: none"> • Repair/Replace motor. • Check for loose parts.
Blade turning but not cutting	<ul style="list-style-type: none"> • Blade worn. • Blade jamming. • Guard/thickness adjuster damaged or incorrectly adjusted. • Food jammed in head. 	<ul style="list-style-type: none"> • Sharpen/replace blade. • Housing bent. • Adjust or replace guard. • Clean head.

For Technical information, spare parts or any other enquiry, please call
Archway Sheet Metal Works Ltd on 020 8365 0760

PARTS LIST			
ITEM	QTY	Part	Part No
1	1	Bridge Handle	HANDLESL
2	1	Cover	SL001
3	1	Rocker Switch	D019
4	1	Body	SL002
5	1	Air Switch Back Entry	D350
6	1	Drive Shaft Adaptor SS	SL003
7	1	Motor Flange	SL004
8	4	Motor Flange Screw	M5x12 CS Pozi ZP
9	1	Drive Shaft Motor End	SL005
10	1	Shaft Knurled Nut	SL006
11	4	Feet Insert 20Dia	FEET220
12	1	Air Foot Pedal	D006
13	1	IEC Inlet Socket	5ASKT
14	1	Handle Shaft	SL007
15	1	Bearing Circlip Dia 10mm	SL008
16	1	Bearing Circlip Dia 26mm	SL009
17	1	Bearing Housing	SL010
18	2	Bearing	SL011
19	2	Cover Screw	SL012
20	1	Bearing Shaft	SL013
21	1	Slicer Head	SL014
22	6	M3x6 Hex Hd cs Screw SS	SL015
23	1	Slicer Blade	SL016
24	1	Blade Washer	SL017
25	1	Blade Screw	SL018
26	1	Blade Cover	SL019
27	1	Thickness Adjuster	SL020
28	2	Thickness Adj Screw	SL021
29	1	Motor EMG	SL022
30	4	Motor Mount Washer	SL023
31	1	Rubber Handle	SL024
32	1	Outer Drive Cable 1450mm	SL025
33	1	Inner Drive Cable 1475mm	SL026
34	1	Drive Shaft Handle Adaptor	SL027
35	4	Motor Rubber Feet	SL028
36	2	Bridge Handle Screw	M8 x 20 Socket Hd Cap
37	4	Cover Screw	10 x 1/2" Pozi S/S Screw
38	1	Mains Cable & Plug (Not Shown)	CablePlug5A
39	4	Motor Mount Screw	M6x30 Roofing Bolt ZP
40	1	Blade Sharpener	SHAR987
41	1	Blade Screw Allen Key 3mm	3MMWRE
42	1	Blade for Chicken	SL030
43	1	Head Stand	SL031
44	2	Bridge Handle Nut	M8 Hex Nut

