



Connecta Worktable Standard Range

Assembly Instructions

Models

HEF649 – Standard Worktable 600x600x900mm

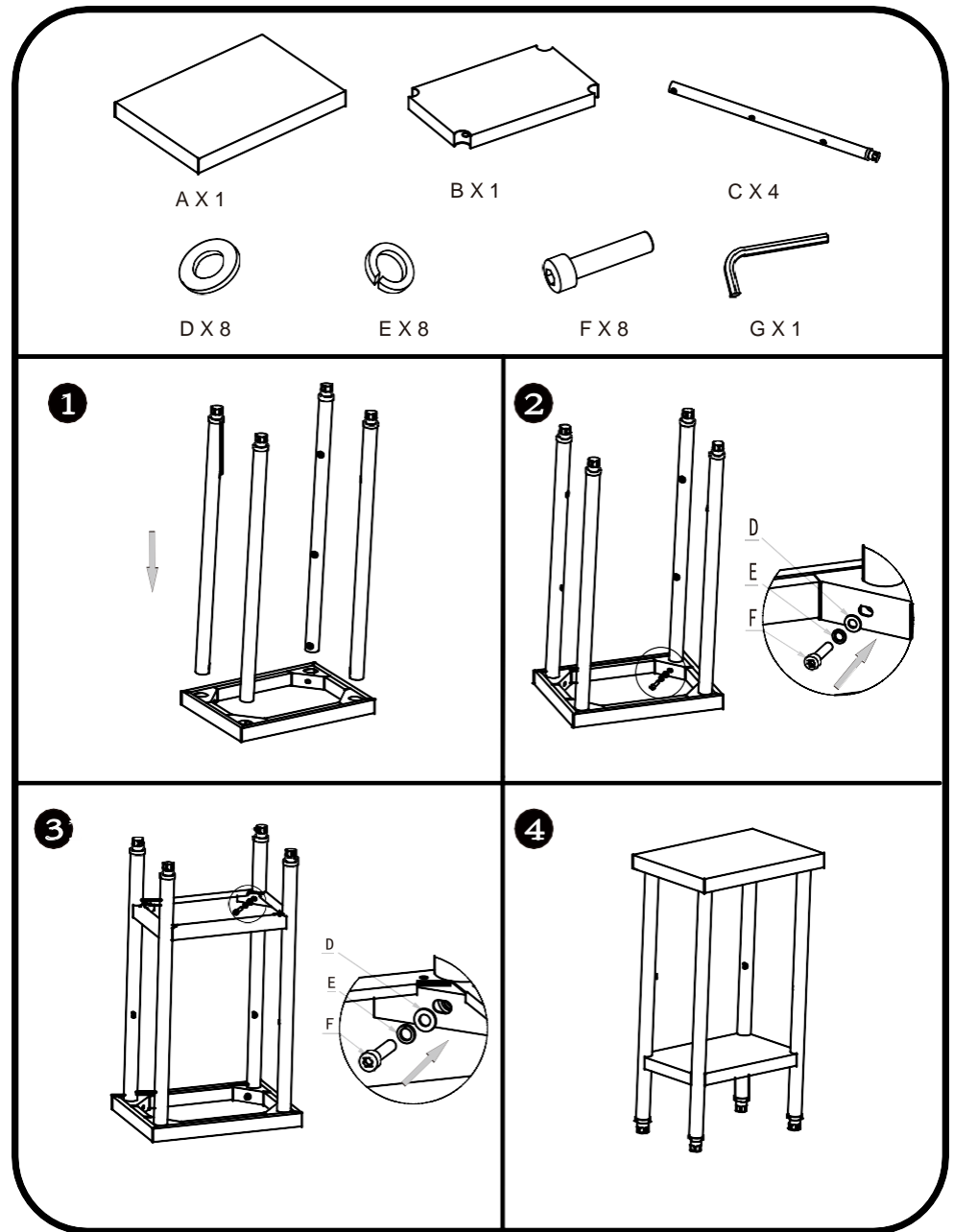
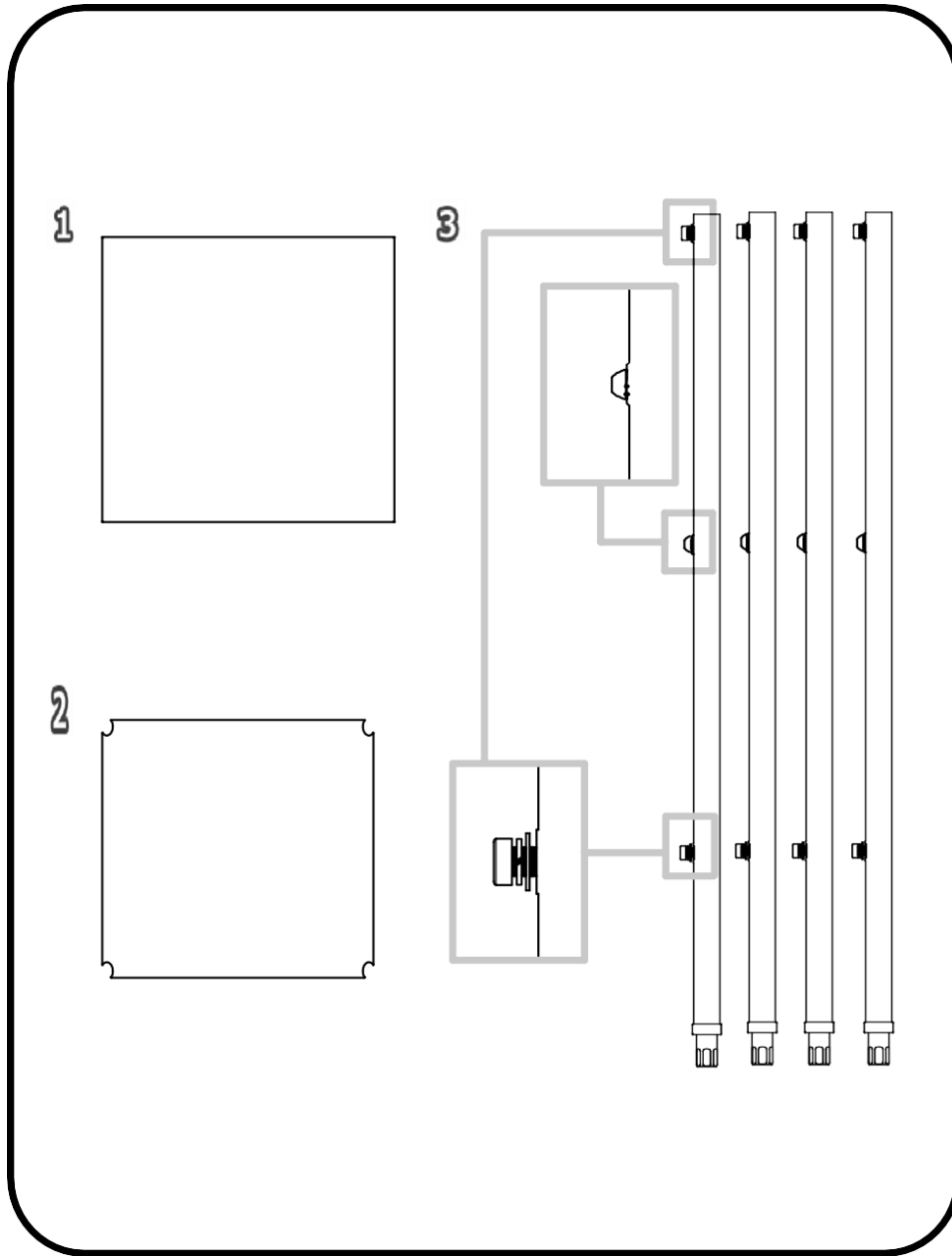
HEF650 – Standard Worktable 900x600x900mm

HEF651 – Standard Worktable 1200x600x900mm

HEF652 – Standard Worktable 1500x600x900mm

HEF653 – Standard Worktable 1800x600x900mm

Stainless Steel Work Table Instruction



Safety Tips

- Whilst all care has been taken to remove sharp edges, care must be taken when cleaning or handling the table to prevent risk of injury from exposed metal edges.
- Do not overload the table top or shelf this may cause it to bend.

Pack Contains

- 1x Stainless steel top shelf (A)
- 1x Stainless steel undershelf (B)
- 4x Stainless Steel Legs (C)
- 8x Mesons (D)
- 8x Mesons (E)
- 8 x Screws (F)
- 1x Allen key (G)

Assembly

Note: Be sure to check all packaging materials for any small parts that may have come loose during transportation

1. Remove all packaging including all protective packing material from top shelf, legs and undershelf, taking care to avoid scratching the surfaces.
2. Place the Top shelf down on the floor [A]
3. Insert the legs into the sockets situated at each corner of the top shelf, and insert the screws with mesons (D&E)

Note: Do not secure the legs to the top shelf at this stage. This makes inserting the shelf easier.

4. Position the corner sockets of the undershelf over the four legs.
5. Hold the undershelf in position and insert the screws with mesons(D&E) to loosely secure the undershelf to each leg and the legs to the top shelf.

Note: Leaving the screws loose allows for adjustments to sink shelf and legs.

6. Adjust the shelf and legs so that they are level (use a spirit level if required)
7. Tighten all the screws.
8. Stand the work table upright and remove the remaining protective film.
9. If necessary, adjust the feet to level the table.

Before using for the first time, it is recommended that the table is cleaned thoroughly with a suitable cleaning agent, remove all cleaning residues and dry thoroughly.

Cleaning & Maintenance

- Clean the table regularly using a cleaning agent suitable for use with stainless steel.
- Always remove cleaning agent residue, this can discolour the surface of the shelf.
- Never leave the shelf surface damp as this can cause discolouration.

Fitment of Castor wheels for Connecta Stainless steel worktable



X2



X2

Compatibility

Standard Worktable

Safety Tips

Whilst all care has been taken to remove sharp edges, care must be taken when cleaning or handling prevent risk of injury from exposed metal edges.

Pack Contents

- 2x Wheels W/O Brake
- 2x Wheels With Brake

Assembly

1. Carefully place the worktable upside down and take care to avoid scratching the surfaces.
2. Insert the castor wheels into four legs , then tighten all the castor wheels.