



Please click on button for parts list

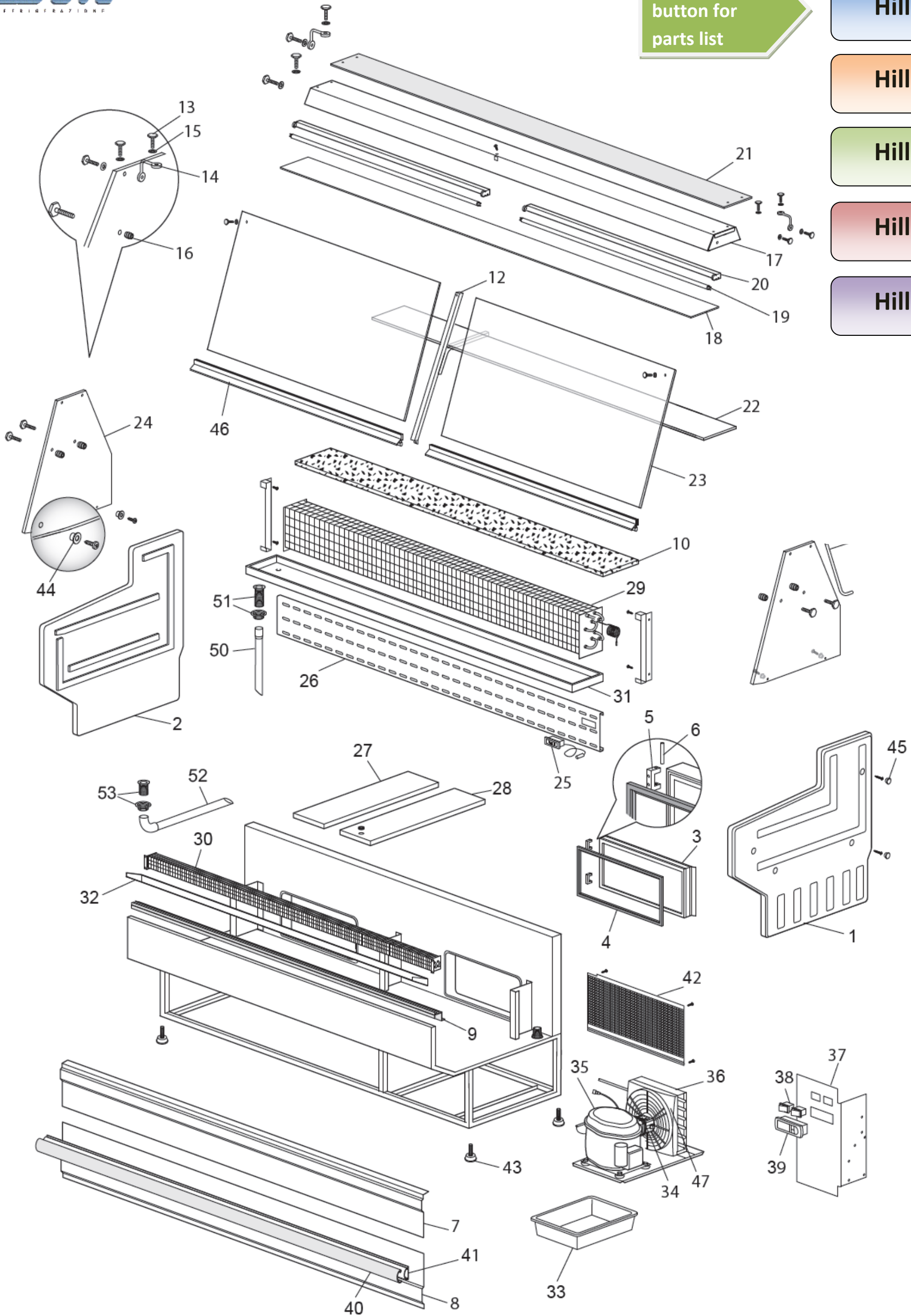
Hill 100

Hill 150

Hill 200

Hill 250

Hill 300



Exploded diagram and spare parts list Hill (straight Glass) Serve-Over Counter

Machine	Explode	Code	Description
Hill 100	<b>1</b>	R004HLBD	White Side Panel (Right)
Hill 100	1	R004HLGD	Grey Side Panel (Right)
Hill 100	1	R004HLMD	Brown Side Panel (Right)
Hill 100	1	R004HLED	Wood Side Panel (Right)
Hill 100	1	R004HLTD	Metal grey Side Panel (Right)
Hill 100	1	R004HLND	Black Side Panel (Right)
Hill 100	1	R004HLCD	Powder Side Panel (Right)
Hill 100	<b>2</b>	R004HLBS	White Side Panel (Left)
Hill 100	2	R004HLGS	Grey Side Panel (Left)
Hill 100	2	R004HLMS	Brown Side Panel (Left)
Hill 100	2	R004HLES	Wood Side Panel (Left)
Hill 100	2	R004HLTS	Metal grey Side Panel (Left)
Hill 100	2	R004HLNS	Black Side Panel (Left)
Hill 100	2	R004HLCS	Powder Side Panel (Left)
Hill 100	<b>3</b>	R003-1	Storage Door
Hill 100	<b>4</b>	R053/1	Storage door gasket
Hill 100	<b>5</b>	R052/1	Storage door hinge
Hill 100	<b>6</b>	R052P/1	Storage door hinge pin
Hill 100	<b>7</b>	R115DSB100	White Upper fascia panel
Hill 100	7	R115DSG100	Grey Upper fascia panel
Hill 100	7	R115DSM100	Brown Upper fascia panel
Hill 100	7	R115DSE100	Wood Upper fascia panel
Hill 100	7	R115DST100	Metal grey Upper fascia panel
Hill 100	7	R115DSN100	Black Upper fascia panel
Hill 100	7	R115DSC100	Powder Upper fascia panel
Hill 100	<b>8</b>	R115DIB100	White Lower fascia panel
Hill 100	8	R115DIG100	Grey Lower fascia panel
Hill 100	8	R115DIM100	Brown Lower fascia panel
Hill 100	8	R115DIE100	Wood Lower fascia panel
Hill 100	8	R115DIT100	Metal grey Lower fascia panel
Hill 100	8	R115DIN100	Black Lower fascia panel
Hill 100	8	R115DIC100	Powder Lower fascia panel
Hill 100	<b>9</b>	R023PPVA100	Front glass support bar
Hill 100	<b>10</b>	R009100	Granite work top
Hill 100	<b>11</b>	R056HLA	Silver Aluminium cable cover
Hill 100	11	R056HLO	Gold Aluminium cable cover
Hill 100	11	R056HLM	Brown Aluminium cable cover
Hill 100	<b>12</b>	R017SUHLB	White Intermediate support with shelf holder
Hill 100	12	R017SUHLG	Grey Intermediate support with shelf holder
Hill 100	12	R017SUHLM	Brown Intermediate support with shelf holder
Hill 100	<b>13</b>	R005V	Chrome plated screw
Hill 100	<b>14</b>	R001-2V	Angled glass fitting
Hill 100	<b>15</b>	R005R	Washer
Hill 100	<b>16</b>	R001	Shelf support fitting (with screw)
Hill 100	<b>17</b>	R029PL100A	Aluminium light canopy
Hill 100	<b>18</b>	R088JY100	Fluorescent tube splash protector
Hill 100	<b>19</b>	R045-18W	18W Fluorescent tube
Hill 100	<b>20</b>	R043POP18W	Fluorecent tube fitting

Exploded diagram and spare parts list Hill (straight Glass) Serve-Over Counter

Machine	Explode	Code	Description
Hill 100	<b>21</b>	V300-95	Tempered top glass
Hill 100	<b>22</b>	V400-89.5	Tempered glass shelf
Hill 100	<b>23</b>	V000-91.8	Tempered front glass panel
Hill 100	<b>24</b>	V520	Tempered side glass panel
Hill 100	<b>25</b>	R0410000	Thermometer
Hill 100	<b>26</b>	R040HL100	Evaporator cover
Hill 100	<b>27</b>	R01952-17	Stainless steel floor plate
Hill 100	<b>28</b>	R01952-21.8F	Stainless steel floor plate
Hill 100	<b>29</b>	R096ESSHL100	Upper evaporator
Hill 100	<b>30</b>	R096EISJJ100	Lower evaporator
Hill 100	<b>31</b>	R034VSAHL100	Upper evaporator drip tray
Hill 100	<b>32</b>	R034VIAHL100	Lower evaporator drip tray
Hill 100	<b>33</b>	R07010LT	Defrost water drip tray
Hill 100	<b>34</b>	R031T4T10ZVN014	Fan
Hill 100	<b>35</b>	R093C-EMT6144GK	Compressor
Hill 100	<b>36</b>	R092N-EMT6144GK	Condenser
Hill 100	<b>37</b>	R250EHNE	Control panel fascia - 2 slots (no electronics)
Hill 100	37	R250EHNE3	Control panel fascia - 3 slots (no electronics)
Hill 100	<b>38</b>	R042	Switch (power and light)
Hill 100	<b>39</b>	R055PJEZ	Carel digital controller
Hill 100	<b>40</b>	R014BB100	White Front bumper
Hill 100	40	R014BG100	Grey Front bumper
Hill 100	40	R014BM100	Brown Front bumper
Hill 100	40	R014BE100	Wood Front bumper
Hill 100	40	R014BT100	metal grey Front bumper
Hill 100	40	R014BN100	Black Front bumper
Hill 100	40	R014BC100	Powder Front bumper
Hill 100	<b>41</b>	R014BB100	Front bumper support bar
Hill 100	<b>42</b>	R077HL100-41	Refrigeration unit cover
Hill 100	<b>43</b>	R039/1	Adjustable foot
Hill 100	<b>44</b>	R211-PVC8	Bushing
Hill 100	<b>45</b>	R059TB	White Screw cap
Hill 100	45	R059TG	Grey Screw cap
Hill 100	<b>46</b>	R021-91.8A	Silver Lower front glass beading
Hill 100	46	R021-91.8O	Gold Lower front glass beading
Hill 100	46	R021-91.8M	Brown Lower front glass beading
Hill 100	<b>47</b>	R032-CG230	Fan grille
Hill 100	<b>50</b>	R08320x190	Drain Pipe
Hill 100	<b>51</b>	R08320x75	Threaded drain pipe with ring nut
Hill 100	<b>52</b>	R08320x48-90°	Drain pipe 90o elbow
Hill 100	<b>53</b>	R08320x40	Threaded drain pipe with ring nut
Hill 100	<b>17,18, 19 &amp;20</b>	IL100HLA	Complete light fitting

Exploded diagram and spare parts list Hill (straight Glass) Serve-Over Counter

Machine	Explode	Code	Description
Hill 150	<b>1</b>	R004HLBD	White Side Panel (Right)
Hill 150	1	R004HLGD	Grey Side Panel (Right)
Hill 150	1	R004HLMD	Brown Side Panel (Right)
Hill 150	1	R004HLED	Wood Side Panel (Right)
Hill 150	1	R004HLTD	Metal grey Side Panel (Right)
Hill 150	1	R004HLND	Black Side Panel (Right)
Hill 150	1	R004HLCD	Powder Side Panel (Right)
Hill 150	<b>2</b>	R004HLBS	White Side Panel (Left)
Hill 150	2	R004HLGS	Grey Side Panel (Left)
Hill 150	2	R004HLMS	Brown Side Panel (Left)
Hill 150	2	R004HLES	Wood Side Panel (Left)
Hill 150	2	R004HLTS	Metal grey Side Panel (Left)
Hill 150	2	R004HLNS	Black Side Panel (Left)
Hill 150	2	R004HLCS	Powder Side Panel (Left)
Hill 150	<b>3</b>	R003-1	Storage Door
Hill 150	<b>4</b>	R053/1	Storage door gasket
Hill 150	<b>5</b>	R052/1	Storage door hinge
Hill 150	<b>6</b>	R052P/1	Storage door hinge pin
Hill 150	<b>7</b>	R115DSB150	White Upper fascia panel
Hill 150	7	R115DSG150	Grey Upper fascia panel
Hill 150	7	R115DSM150	Brown Upper fascia panel
Hill 150	7	R115DSE150	Wood Upper fascia panel
Hill 150	7	R115DST150	metal grey Upper fascia panel
Hill 150	7	R115DSN150	Black Upper fascia panel
Hill 150	7	R115DSC150	Powder Upper fascia panel
Hill 150	<b>8</b>	R115DIB150	White Lower fascia panel
Hill 150	8	R115DIG150	Grey Lower fascia panel
Hill 150	8	R115DIM150	Brown Lower fascia panel
Hill 150	8	R115DIE150	Wood Lower fascia panel
Hill 150	8	R115DIT150	metal grey Lower fascia panel
Hill 150	8	R115DIN150	Black Lower fascia panel
Hill 150	8	R115DIC150	Powder Lower fascia panel
Hill 150	<b>9</b>	R023PPVA150	Front glass support bar
Hill 150	<b>10</b>	R009150	Granite work top
Hill 150	<b>11</b>	R056HLA	Silver Aluminium cable cover
Hill 150	11	R056HLO	Gold Aluminium cable cover
Hill 150	11	R056HLM	Brown Aluminium cable cover
Hill 150	<b>12</b>	R017SUHLB	White Intermediate support with shelf holder
Hill 150	12	R017SUHLG	Grey Intermediate support with shelf holder
Hill 150	12	R017SUHLM	Brown Intermediate support with shelf holder
Hill 150	<b>13</b>	R005V	Chrome plated screw
Hill 150	<b>14</b>	R001-2V	Angled glass fitting
Hill 150	<b>15</b>	R005R	Washer
Hill 150	<b>16</b>	R001	Shelf support fitting (with screw)
Hill 150	<b>17</b>	R029PL150A	Aluminium light canopy
Hill 150	<b>18</b>	R088JY150	Fluorescent tube splash protector
Hill 150	<b>19</b>	R045-36W	36W Fluorescent tube
Hill 150	<b>20</b>	R043POP36W	Fluorecent tube fitting



Exploded diagram and spare parts list Hill (straight Glass) Serve-Over Counter

Machine	Explode	Code	Description
Hill 150	<b>21</b>	V301-145	Tempered top glass
Hill 150	<b>22</b>	V401-139.5	Tempered glass shelf
Hill 150	<b>23</b>	V001-141.8	Tempered front glass panel
Hill 150	<b>24</b>	V520	Tempered side glass panel
Hill 150	<b>25</b>	R0410000	Thermometer
Hill 150	<b>26</b>	R040HL150	Evaporator cover
Hill 150	<b>27</b>	R01952-17	Stainless steel floor plate
Hill 150	<b>28</b>	R01952-20F	Stainless steel floor plate
Hill 150	<b>29</b>	R096ESSHL150	Upper evaporator
Hill 150	<b>30</b>	R096EISJJ150	Lower evaporator
Hill 150	<b>31</b>	R034VSAHL150	Upper evaporator drip tray
Hill 150	<b>32</b>	R034VIAHL150	Lower evaporator drip tray
Hill 150	<b>33</b>	R07010LT	Defrost water drip tray
Hill 150	<b>34</b>	R031T4T10ZVN014	Fan
Hill 150	<b>35</b>	R093C-EMT6144GK	Compressor
Hill 150	<b>36</b>	R092N-EMT6144GK	Condenser
Hill 150	<b>37</b>	R250EHNE	Control panel fascia - 2 slots (no electronics)
Hill 150	37	R250EHNE3	Control panel fascia - 3 slots (no electronics)
Hill 150	<b>38</b>	R042	Switch (power and light)
Hill 150	<b>39</b>	R055PJEZ	Carel digital controller
Hill 150	<b>40</b>	R014BB150	White Front bumper
Hill 150	40	R014BG150	Grey Front bumper
Hill 150	40	R014BM150	Brown Front bumper
Hill 150	40	R014BE150	Wood Front bumper
Hill 150	40	R014BT150	metal grey Front bumper
Hill 150	40	R014BN150	Black Front bumper
Hill 150	40	R014BC150	Powder Front bumper
Hill 150	<b>41</b>	R014BB150	Front bumper support bar
Hill 150	<b>42</b>	R077HL-48	Refrigeration unit cover
Hill 150	<b>43</b>	R039/1	Adjustable foot
Hill 150	<b>44</b>	R211-PVC8	Bushing
Hill 150	<b>45</b>	R059TB	White Screw cap
Hill 150	45	R059TG	Grey Screw cap
Hill 150	<b>46</b>	R021-141.8A	Silver Lower front glass beading
Hill 150	46	R021-141.8O	Gold Lower front glass beading
Hill 150	46	R021-141.8M	Brown Lower front glass beading
Hill 150	<b>47</b>	R032-CG230	Fan grille
Hill 150	<b>50</b>	R08320x190	Drain Pipe
Hill 150	<b>51</b>	R08320x75	Threaded drain pipe with ring nut
Hill 150	<b>52</b>	R08320x48-90°	Drain pipe 90o elbow
Hill 150	<b>53</b>	R08320x40	Threaded drain pipe with ring nut
Hill 150	<b>17,18 19 &amp; 20</b>	IL150HLA	Complete light fitting

Exploded diagram and spare parts list Hill (straight Glass) Serve-Over Counter

Machine	Explode	Code	Description
Hill 200	<b>1</b>	R004HLBD	White Side Panel (Right)
Hill 200	1	R004HLGD	Grey Side Panel (Right)
Hill 200	1	R004HLMD	Brown Side Panel (Right)
Hill 200	1	R004HLED	Wood Side Panel (Right)
Hill 200	1	R004HLTD	Metal grey Side Panel (Right)
Hill 200	1	R004HLND	Black Side Panel (Right)
Hill 200	1	R004HLCD	Powder Side Panel (Right)
Hill 200	<b>2</b>	R004HLBS	White Side Panel (Left)
Hill 200	2	R004HLGS	Grey Side Panel (Left)
Hill 200	2	R004HLMS	Brown Side Panel (Left)
Hill 200	2	R004HLES	Wood Side Panel (Left)
Hill 200	2	R004HLTS	Metal grey Side Panel (Left)
Hill 200	2	R004HLNS	Black Side Panel (Left)
Hill 200	2	R004HLCS	Powder Side Panel (Left)
Hill 200	<b>3</b>	R003-1	Storage Door
Hill 200	<b>4</b>	R053/1	Storage door gasket
Hill 200	<b>5</b>	R052/1	Storage door hinge
Hill 200	<b>6</b>	R052P/1	Storage door hinge pin
Hill 200	<b>7</b>	R115DSB200	White Upper fascia panel
Hill 200	7	R115DSG200	Grey Upper fascia panel
Hill 200	7	R115DSM200	Brown Upper fascia panel
Hill 200	7	R115DSE200	Wood Upper fascia panel
Hill 200	7	R115DST200	metal grey Upper fascia panel
Hill 200	7	R115DSN200	Black Upper fascia panel
Hill 200	7	R115DSC200	Powder Upper fascia panel
Hill 200	<b>8</b>	R115DIB200	White Lower fascia panel
Hill 200	8	R115DIG200	Grey Lower fascia panel
Hill 200	8	R115DIM200	Brown Lower fascia panel
Hill 200	8	R115DIE200	Wood Lower fascia panel
Hill 200	8	R115DIT200	metal grey Lower fascia panel
Hill 200	8	R115DIN200	Black Lower fascia panel
Hill 200	8	R115DIC200	Powder Lower fascia panel
Hill 200	<b>9</b>	R023PPVA200	Front glass support bar
Hill 200	<b>10</b>	R009200	Granite work top
Hill 200	<b>11</b>	R056HLA	Silver Aluminium cable cover
Hill 200	11	R056HLO	Gold Aluminium cable cover
Hill 200	11	R056HLM	Brown Aluminium cable cover
Hill 200	<b>12</b>	R017SUHLB	White Intermediate support with shelf holder
Hill 200	12	R017SUHLG	Grey Intermediate support with shelf holder
Hill 200	12	R017SUHLM	Brown Intermediate support with shelf holder
Hill 200	<b>13</b>	R005V	Chrome plated screw
Hill 200	<b>14</b>	R001-2V	Angled glass fitting
Hill 200	<b>15</b>	R005R	Washer
Hill 200	<b>16</b>	R001	Shelf support fitting (with screw)
Hill 200	<b>17</b>	R029PL200A	Aluminium light canopy
Hill 200	<b>18</b>	R088JY200	Fluorescent tube splash protector
Hill 200	<b>19</b>	R045-58W	58W Fluorescent tube
Hill 200	<b>20</b>	R043POP58W	Fluorecent tube fitting

Exploded diagram and spare parts list Hill (straight Glass) Serve-Over Counter

Machine	Explode	Code	Description
Hill 200	<b>21</b>	V302-195	Tempered top glass
Hill 200	<b>22</b>	V402-189.5	Tempered glass shelf
Hill 200	<b>23</b>	V002-95.8	Tempered front glass panel
Hill 200	<b>24</b>	V520	Tempered side glass panel
Hill 200	<b>25</b>	R0410000	Thermometer
Hill 200	<b>26</b>	R040HL200	Evaporator cover
Hill 200	<b>27</b>	R01952-17	Stainless steel floor plate
Hill 200	<b>28</b>	R01952-19F	Stainless steel floor plate
Hill 200	<b>29</b>	R096ESSHL200	Upper evaporator
Hill 200	<b>30</b>	R096EISJJ200	Lower evaporator
Hill 200	<b>31</b>	R034VSAHL200	Upper evaporator drip tray
Hill 200	<b>32</b>	R034VIAHL200	Lower evaporator drip tray
Hill 200	<b>33</b>	R07010LT	Defrost water drip tray
Hill 200	<b>34</b>	R031T4T10ZVN014	Fan
Hill 200	<b>35</b>	R093C-EMT6165GK	Compressor
Hill 200	<b>36</b>	R092N-EMT6165GK	Condenser
Hill 200	<b>37</b>	R250EHNE	Control panel fascia - 2 slots (no electronics)
Hill 200	37	R250EHNE3	Control panel fascia - 3 slots (no electronics)
Hill 200	<b>38</b>	R042	Switch (power and light)
Hill 200	<b>39</b>	R055PJEZ	Carel digital controller
Hill 200	<b>40</b>	R014BB200	White Front bumper
Hill 200	40	R014BG200	Grey Front bumper
Hill 200	40	R014BM200	Brown Front bumper
Hill 200	40	R014BE200	Wood Front bumper
Hill 200	40	R014BT200	metal grey Front bumper
Hill 200	40	R014BN200	Black Front bumper
Hill 200	40	R014BC200	Powder Front bumper
Hill 200	<b>41</b>	R014BB200	Front bumper support bar
Hill 200	<b>42</b>	R077HL-48	Refrigeration unit cover
Hill 200	<b>43</b>	R039/1	Adjustable foot
Hill 200	<b>44</b>	R211-PVC8	Bushing
Hill 200	<b>45</b>	R059TB	White Screw cap
Hill 200	45	R059TG	Grey Screw cap
Hill 200	<b>46</b>	R021-95.8A	Silver Lower front glass beading
Hill 200	46	R021-95.8O	Gold Lower front glass beading
Hill 200	46	R021-95.8M	Brown Lower front glass beading
Hill 200	<b>47</b>	R032-CG230	Fan grille
Hill 200	<b>50</b>	R08320x190	Drain Pipe
Hill 200	<b>51</b>	R08320x75	Threaded drain pipe with ring nut
Hill 200	<b>52</b>	R08320x48-90°	Drain pipe 90o elbow
Hill 200	<b>53</b>	R08320x40	Threaded drain pipe with ring nut
Hill 200	<b>17,18, 19 &amp;20</b>	IL200HLA	Complete light fitting

Exploded diagram and spare parts list Hill (straight Glass) Serve-Over Counter

Machine	Explode	Code	Description
Hill 250	<b>1</b>	R004HLBD	White Side Panel (Right)
Hill 250	1	R004HLGD	Grey Side Panel (Right)
Hill 250	1	R004HLMD	Brown Side Panel (Right)
Hill 250	1	R004HLED	Wood Side Panel (Right)
Hill 250	1	R004HLTD	Metal grey Side Panel (Right)
Hill 250	1	R004HLND	Black Side Panel (Right)
Hill 250	1	R004HLCD	Powder Side Panel (Right)
Hill 250	<b>2</b>	R004HLBS	White Side Panel (Left)
Hill 250	2	R004HLGS	Grey Side Panel (Left)
Hill 250	2	R004HLMS	Brown Side Panel (Left)
Hill 250	2	R004HLES	Wood Side Panel (Left)
Hill 250	2	R004HLTS	Metal grey Side Panel (Left)
Hill 250	2	R004HLNS	Black Side Panel (Left)
Hill 250	2	R004HLCS	Powder Side Panel (Left)
Hill 250	<b>3</b>	R003-1	Storage Door
Hill 250	<b>4</b>	R053/1	Storage door gasket
Hill 250	<b>5</b>	R052/1	Storage door hinge
Hill 250	<b>6</b>	R052P/1	Storage door hinge pin
Hill 250	<b>7</b>	R115DSB250	White Upper fascia panel
Hill 250	7	R115DSG250	Grey Upper fascia panel
Hill 250	7	R115DSM250	Brown Upper fascia panel
Hill 250	7	R115DSE250	Wood Upper fascia panel
Hill 250	7	R115DST250	metal grey Upper fascia panel
Hill 250	7	R115DSN250	Black Upper fascia panel
Hill 250	7	R115DSC250	Powder Upper fascia panel
Hill 250	<b>8</b>	R115DIB250	White Lower fascia panel
Hill 250	8	R115DIG250	Grey Lower fascia panel
Hill 250	8	R115DIM250	Brown Lower fascia panel
Hill 250	8	R115DIE250	Wood Lower fascia panel
Hill 250	8	R115DIT250	metal grey Lower fascia panel
Hill 250	8	R115DIN250	Black Lower fascia panel
Hill 250	8	R115DIC250	Powder Lower fascia panel
Hill 250	<b>9</b>	R023PPVA250	Front glass support bar
Hill 250	<b>10</b>	R009250	Granite work top
Hill 250	<b>11</b>	R056HLA	Silver Aluminium cable cover
Hill 250	11	R056HLO	Gold Aluminium cable cover
Hill 250	11	R056HLM	Brown Aluminium cable cover
Hill 250	<b>12</b>	R017SUHLB	White Intermediate support with shelf holder
Hill 250	12	R017SUHLG	Grey Intermediate support with shelf holder
Hill 250	12	R017SUHLM	Brown Intermediate support with shelf holder
Hill 250	<b>13</b>	R005V	Chrome plated screw
Hill 250	<b>14</b>	R001-2V	Angled glass fitting
Hill 250	<b>15</b>	R005R	Washer
Hill 250	<b>16</b>	R001	Shelf support fitting (with screw)
Hill 250	<b>17</b>	R029PL250A	Aluminium light canopy
Hill 250	<b>18</b>	R088JY250	Fluorescent tube splash protector
Hill 250	<b>19</b>	R045-30W	30W Fluorescent tube
Hill 250	<b>20</b>	R043POP30W	Fluorescent tube fitting



Exploded diagram and spare parts list Hill (straight Glass) Serve-Over Counter

Machine	Explode	Code	Description
Hill 250	<b>21</b>	V303-245	Tempered top glass
Hill 250	<b>22</b>	V403-239.5	Tempered glass shelf
Hill 250	<b>23</b>	V003-120.8	Tempered front glass panel
Hill 250	<b>24</b>	V520	Tempered side glass panel
Hill 250	<b>25</b>	R0410000	Thermometer
Hill 250	<b>26</b>	R040HL250	Evaporator cover
Hill 250	<b>27</b>	R01952-17	Stainless steel floor plate
Hill 250	<b>28</b>	R01952-17.7F	Stainless steel floor plate
Hill 250	<b>29</b>	R096ESSHL250	Upper evaporator
Hill 250	<b>30</b>	R096EISJJ250	Lower evaporator
Hill 250	<b>31</b>	R034VSAHL250	Upper evaporator drip tray
Hill 250	<b>32</b>	R034VIAHL250	Lower evaporator drip tray
Hill 250	<b>33</b>	R07010LT	Defrost water drip tray
Hill 250	<b>34</b>	R031T4T10ZVN014	Fan
Hill 250	<b>35</b>	R093C-EMT6210GK	Compressor
Hill 250	<b>36</b>	R092N-EMT6210GK	Condenser
Hill 250	<b>37</b>	R250EHNE	Control panel fascia - 2 slots (no electronics)
Hill 250	37	R250EHNE3	Control panel fascia - 3 slots (no electronics)
Hill 250	<b>38</b>	R042	Switch (power and light)
Hill 250	<b>39</b>	R055PJEZ	Carel digital controller
Hill 250	<b>40</b>	R014BB250	White Front bumper
Hill 250	40	R014BG250	Grey Front bumper
Hill 250	40	R014BM250	Brown Front bumper
Hill 250	40	R014BE250	Wood Front bumper
Hill 250	40	R014BT250	metal grey Front bumper
Hill 250	40	R014BN250	Black Front bumper
Hill 250	40	R014BC250	Powder Front bumper
Hill 250	<b>41</b>	R014BB250	Front bumper support bar
Hill 250	<b>42</b>	R077HL-48	Refrigeration unit cover
Hill 250	<b>43</b>	R039/1	Adjustable foot
Hill 250	<b>44</b>	R211-PVC8	Bushing
Hill 250	<b>45</b>	R059TB	White Screw cap
Hill 250	45	R059TG	Grey Screw cap
Hill 250	<b>46</b>	R021-120.8A	Silver Lower front glass beading
Hill 250	46	R021-120.8O	Gold Lower front glass beading
Hill 250	46	R021-120.8M	Brown Lower front glass beading
Hill 250	<b>47</b>	R032-CG254	Fan grille
Hill 250	<b>50</b>	R08320x190	Drain Pipe
Hill 250	<b>51</b>	R08320x75	Threaded drain pipe with ring nut
Hill 250	<b>52</b>	R08320x48-90°	Drain pipe 90o elbow
Hill 250	<b>53</b>	R08320x40	Threaded drain pipe with ring nut
Hill 250	<b>17,18, 19 &amp;20</b>	IL250HLA	Complete light fitting

Exploded diagram and spare parts list Hill (straight Glass) Serve-Over Counter

Machine	Explode	Code	Description
Hill 300	<b>1</b>	R004HLBD	White Side Panel (Right)
Hill 300	1	R004HLGD	Grey Side Panel (Right)
Hill 300	1	R004HLMD	Brown Side Panel (Right)
Hill 300	1	R004HLED	Wood Side Panel (Right)
Hill 300	1	R004HLTD	Metal grey Side Panel (Right)
Hill 300	1	R004HLND	Black Side Panel (Right)
Hill 300	1	R004HLCD	Powder Side Panel (Right)
Hill 300	<b>2</b>	R004HLBS	White Side Panel (Left)
Hill 300	2	R004HLGS	Grey Side Panel (Left)
Hill 300	2	R004HLMS	Brown Side Panel (Left)
Hill 300	2	R004HLES	Wood Side Panel (Left)
Hill 300	2	R004HLTS	Metal grey Side Panel (Left)
Hill 300	2	R004HLNS	Black Side Panel (Left)
Hill 300	2	R004HLCS	Powder Side Panel (Left)
Hill 300	<b>3</b>	R003-1	Storage Door
Hill 300	<b>4</b>	R053/1	Storage door gasket
Hill 300	<b>5</b>	R052/1	Storage door hinge
Hill 300	<b>6</b>	R052P/1	Storage door hinge pin
Hill 300	<b>7</b>	R115DSB250	White Upper fascia panel
Hill 300	7	R115DSG250	Grey Upper fascia panel
Hill 300	7	R115DSM250	Brown Upper fascia panel
Hill 300	7	R115DSE250	Wood Upper fascia panel
Hill 300	7	R115DST250	metal grey Upper fascia panel
Hill 300	7	R115DSN250	Black Upper fascia panel
Hill 300	7	R115DSC250	Powder Upper fascia panel
Hill 300	<b>8</b>	R115DIB250	White Lower fascia panel
Hill 300	8	R115DIG250	Grey Lower fascia panel
Hill 300	8	R115DIM250	Brown Lower fascia panel
Hill 300	8	R115DIE250	Wood Lower fascia panel
Hill 300	8	R115DIT250	metal grey Lower fascia panel
Hill 300	8	R115DIN250	Black Lower fascia panel
Hill 300	8	R115DIC250	Powder Lower fascia panel
Hill 300	<b>9</b>	R023PPVA250	Front glass support bar
Hill 300	<b>10</b>	R009250	Granite work top
Hill 300	<b>11</b>	R056HLA	Silver Aluminium cable cover
Hill 300	11	R056HLO	Gold Aluminium cable cover
Hill 300	11	R056HLM	Brown Aluminium cable cover
Hill 300	<b>12</b>	R017SUHLB	White Intermediate support with shelf holder
Hill 300	12	R017SUHLG	Grey Intermediate support with shelf holder
Hill 300	12	R017SUHLM	Brown Intermediate support with shelf holder
Hill 300	<b>13</b>	R005V	Chrome plated screw
Hill 300	<b>14</b>	R001-2V	Angled glass fitting
Hill 300	<b>15</b>	R005R	Washer
Hill 300	<b>16</b>	R001	Shelf support fitting (with screw)
Hill 300	<b>17</b>	R029PL250A	Aluminium light canopy
Hill 300	<b>18</b>	R088JY250	Fluorescent tube splash protector
Hill 300	<b>19</b>	R045-30W	30W Fluorescent tube
Hill 300	<b>20</b>	R043POP30W	Fluorescent tube fitting

Exploded diagram and spare parts list Hill (straight Glass) Serve-Over Counter

Machine	Explode	Code	Description
Hill 300	<b>21</b>	V303-245	Tempered top glass
Hill 300	<b>22</b>	V403-239.5	Tempered glass shelf
Hill 300	<b>23</b>	V003-120.8	Tempered front glass panel
Hill 300	<b>24</b>	V520	Tempered side glass panel
Hill 300	<b>25</b>	R0410000	Thermometer
Hill 300	<b>26</b>	R040HL250	Evaporator cover
Hill 300	<b>27</b>	R01952-17	Stainless steel floor plate
Hill 300	<b>28</b>	R01952-17.7F	Stainless steel floor plate
Hill 300	<b>29</b>	R096ESSHL250	Upper evaporator
Hill 300	<b>30</b>	R096EISJJ250	Lower evaporator
Hill 300	<b>31</b>	R034VSAHL250	Upper evaporator drip tray
Hill 300	<b>32</b>	R034VIAHL250	Lower evaporator drip tray
Hill 300	<b>33</b>	R07010LT	Defrost water drip tray
Hill 300	<b>34</b>	R031T4T10ZVN014	Fan
Hill 300	<b>35</b>	R093C-EMT6210GK	Compressor
Hill 300	<b>36</b>	R092N-EMT6210GK	Condenser
Hill 300	<b>37</b>	R250EHNE	Control panel fascia - 2 slots (no electronics)
Hill 300	37	R250EHNE3	Control panel fascia - 3 slots (no electronics)
Hill 300	<b>38</b>	R042	Switch (power and light)
Hill 300	<b>39</b>	R055PJEZ	Carel digital controller
Hill 300	<b>40</b>	R014BB250	White Front bumper
Hill 300	40	R014BG250	Grey Front bumper
Hill 300	40	R014BM250	Brown Front bumper
Hill 300	40	R014BE250	Wood Front bumper
Hill 300	40	R014BT250	metal grey Front bumper
Hill 300	40	R014BN250	Black Front bumper
Hill 300	40	R014BC250	Powder Front bumper
Hill 300	<b>41</b>	R014BB250	Front bumper support bar
Hill 300	<b>42</b>	R077HL-48	Refrigeration unit cover
Hill 300	<b>43</b>	R039/1	Adjustable foot
Hill 300	<b>44</b>	R211-PVC8	Bushing
Hill 300	<b>45</b>	R059TB	White Screw cap
Hill 300	45	R059TG	Grey Screw cap
Hill 300	<b>46</b>	R021-120.8A	Silver Lower front glass beading
Hill 300	46	R021-120.8O	Gold Lower front glass beading
Hill 300	46	R021-120.8M	Brown Lower front glass beading
Hill 300	<b>47</b>	R032-CG254	Fan grille
Hill 300	<b>50</b>	R08320x190	Drain Pipe
Hill 300	<b>51</b>	R08320x75	Threaded drain pipe with ring nut
Hill 300	<b>52</b>	R08320x48-90°	Drain pipe 90o elbow
Hill 300	<b>53</b>	R08320x40	Threaded drain pipe with ring nut
Hill 300	<b>17,18, 19 &amp;20</b>	IL250HLA	Complete light fitting