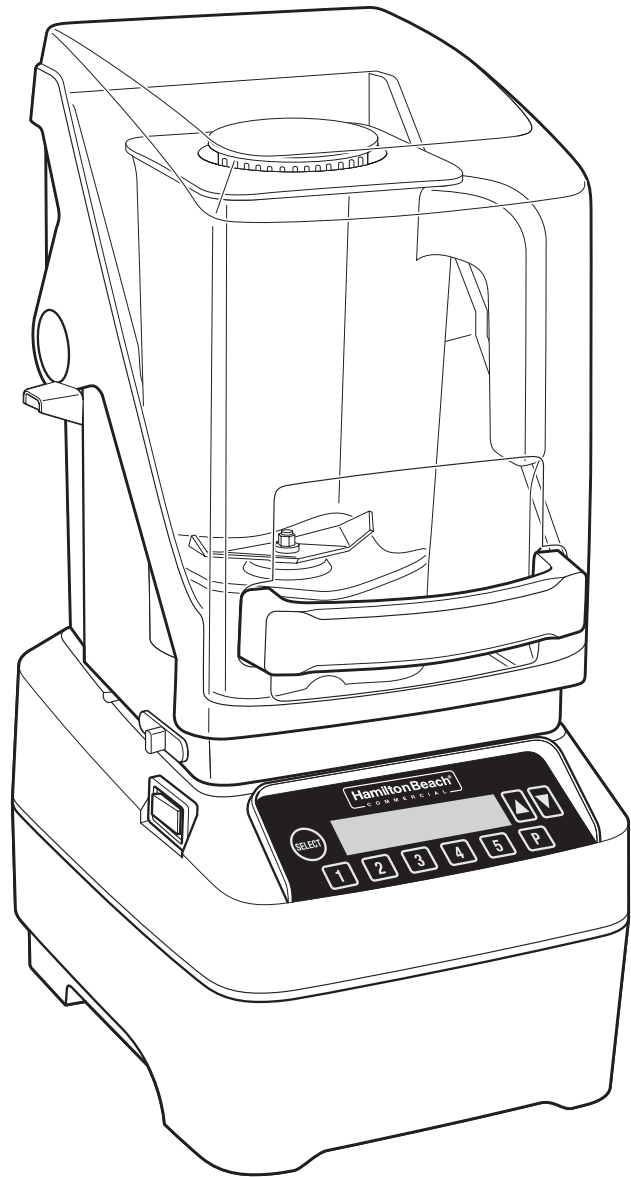


Hamilton Beach®

COMMERCIAL

GB	BAR BLENDER Operation Manual – Original (2)
FR	MÉLANGEUR DE BAR Manuel d'utilisation (8)
ES	LICUADORA PARA BAR Manual de Operación (14)
PT	LIQUIDIFICADOR Manual do Utilizador (20)
IT	FRULLATORE PER BAR Manuale per il funzionamento (26)
DE	STANDMIXER Bedienungsanleitung (32)
NL	BARMIXER Gebruiksaanwijzing (38)
DK	BAR-BLENDER Betjeningsvejledning (44)
SE	BARBLANDARE Bruksanvisning (50)
NO	HURTIGMIKSER Brukerhåndbok (56)
GR	Μπλέντερ για μπαρ Εγχειρίδιο χειρισμού (62)
RU	Миксер для бара Руководство по эксплуатации (68)
TU	ÇUBUK BLENDER Çalıştırma Kılavuzu (74)
CN	手提搅拌器 操作手册 (80)
KR	바 블렌더 사용 설명서 (86)
SA	الخلاطة التجارية دليل التشغيل (97)



HBH750 Series
(TYPE) GB34

840227010
2/14

IMPORTANT SAFETY INSTRUCTIONS

WARNING – When using electrical appliances, basic safety precautions should be followed, including the following:

- Read the Operation Manual before using blender. Keep Operation Manual handy.
- Before first use, wash container assembly in hot, soapy water. Do NOT place in dishwasher.
- Plug into a grounded outlet.
- Do not remove ground.
- Do not use an adapter.
- Do not use an extension cord.
- Disconnect power before cleaning or servicing.
- To reduce risk of personal injury, unplug cord from outlet when not in use, and before putting on or taking off parts.
- Unplug the blender and inspect the power cord insulation for cracks on a weekly basis. Refer to "Technical Services" for repair or replacement.
- To protect against electrical shock, do not immerse cord, plug, or blender base in water or any other liquid.
- Do not spray the base with a high-pressure spray gun.
- Extreme caution must be used when moving an appliance containing hot oil or other hot liquids.
- Do not use appliance for other than intended use.
- Not intended for use by or near children.
- Children should be supervised to ensure they do not play with the appliance.
- This appliance is not intended for use by persons (including children) with reduced physical, sensory, or mental capabilities, or lack of experience and knowledge, unless they have been given supervision or instruction concerning use of the appliance by a person responsible for their safety.
- The use of accessory attachments not recommended by the appliance manufacturer may cause injuries.
- To reduce risk of personal injury and to prevent damage to blender or container and cutter assembly, DO NOT insert utensils into blender container while operating blender.
- Do not store any kitchen utensils in the container because the blender would be damaged if inadvertently turned on.
- To prevent possibility of serious personal injury, keep hands out of blender container while operating blender. Always operate blender with container cover in place.
- Avoid contacting moving parts. Switch off the appliance and disconnect from power supply before changing accessories or approaching parts that move in use.
- Blades are sharp. Handle carefully.
- If cutter assembly blades are loose, discontinue use immediately and replace container. Do not attempt to repair or tighten cutter assembly.
- Inspect container and cutter assembly daily. Do not use broken, chipped, or cracked container. Check cutter for wear, nicks, or broken blades. Do not use broken, loose, or cracked cutting blades.
- Do not use outdoors.
- This appliance is intended for short periods of operation, with a rated operating time of 2 minutes.
- Do not leave blender unattended while it is operating.
- To prevent damage to blender, container, or cutter assembly, DO NOT move or shake blender while in operation. If blending action stops during operation, turn blender OFF (O), remove container from base, remove container cover, and use a thin rubber spatula to push mixture towards cutters.
- When blending hot liquids, remove center-piece of two-piece lid. Hot liquids may push lid off jar during blending. To prevent possible burns: Do not fill blender jar beyond the 1 quart (1 liter) level. With the protection of an oven mitt or thick towel, place one hand on top of lid. Keep exposed skin away from lid. Start blending at lowest speed.
- The blender is provided with a power switch/circuit breaker on the side of the unit. If the motor stops turning, reset the power switch.
- This blender's motor is provided with a thermal overload protector. If the motor stops turning during operation or will not restart, unplug and allow to cool for 15 minutes. Plug unit back into outlet and resume operation.
- The normal function of this product may be disturbed by strong electromagnetic interference. If this occurs, simply reset the product and resume normal operation by following the operation manual. If normal operation cannot be resumed, place the product in a different location.
- Do not operate any appliance with a damaged cord or plug or after the appliance malfunctions, or is dropped or damaged in any manner. If the supply cord of this appliance is damaged, it must be replaced by the manufacturer or its service agent or a similar qualified person. Refer to "Technical Services" for instructions on examination, repair, or electrical or mechanical adjustment.
- **UK ONLY:** If fitted with a non-rewirable U.K. plug, the 13 amp fuse approved by ASTA to be B.S. 1362 must be used. If you need a replacement fuse carrier, it must be replaced with the same colour coded carrier with the same markings. Fuse covers and carriers can be obtained from approved service agents.

– SAVE THESE INSTRUCTIONS –

This appliance is intended for professional use and should be used by trained and qualified personnel only.



Electrical Shock Hazard
Disconnect power before cleaning blender base.
Failure to follow these instructions can result in death or electrical shock.



Burn Hazard
Always use caution when blending hot contents.
Failure to follow these instructions can result in burns.



Electrical Shock Hazard
Plug into a grounded outlet.
Do not remove ground.
Do not use an adapter.
Do not use an extension cord.
Failure to follow these instructions can result in death, fire, or electrical shock.



Cut Hazard
Always place lid on container when blending.
Do not put hands, spoons, or other utensils in container when blending.
Failure to follow these instructions can result in broken bones, cuts, or other injuries.

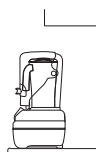
Sanitizing

Sanitize using 1 Tablespoon (15 ml) of household bleach per 1 gallon (3.8 liter) of clean, cool water (60°F/16°C), mixed according to the instructions on the bleach.

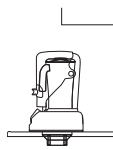
1. Fill container with sanitizing solution, replace lid and filler cap and run on LOW speed for 2 minutes. Empty container.
2. Wipe exterior with soft cloth dampened with sanitizing solution.
3. Immerse lid and filler cap in sanitizing solution for 2 minutes.
4. Place empty container on base and run on HIGH speed for 2 seconds to remove any moisture from the cutter assembly.
5. **When ready to use**, rinse with clean water.



The EC declaration of conformity for this appliance is available in the Technical Support section of our website www.commercial.hamiltonbeach.com.



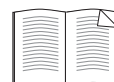
98



98



99



100

Technical Services

For assistance or replacement parts, call our
Technical Services number:

++910-693-4277

www.commercial.hamiltonbeach.com

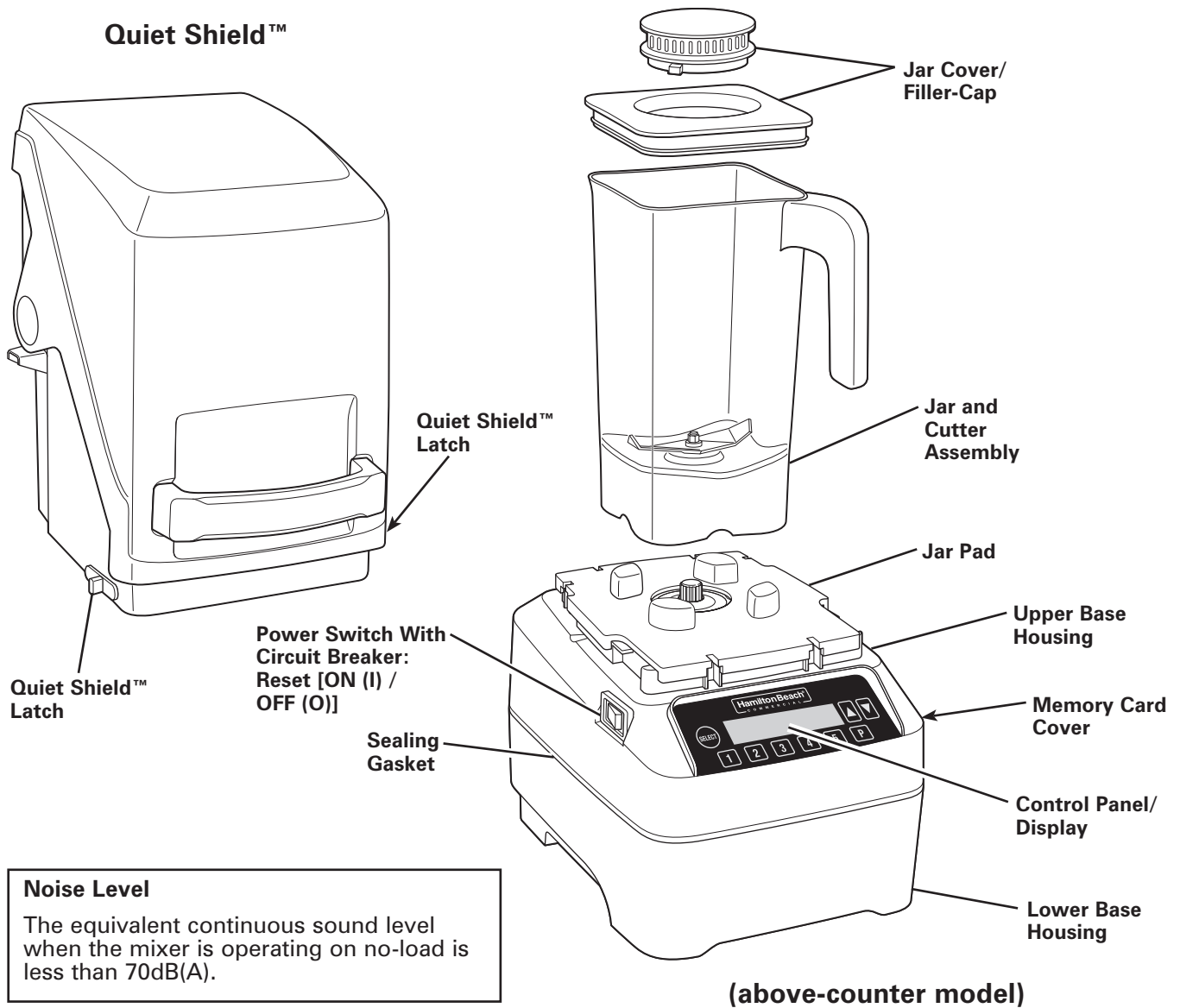


Recycling the Product at the End of Its Service Life

The wheeled bin symbol marked on this drink mixer signifies that this appliance should be taken over by a selective collection system conforming to the Guideline 2002/96/EC (WEEE) so that it can be either recycled or dismantled in order to reduce any impact to the environment. The user is responsible for returning the product to the appropriate collection facility, as specified by your local code. For additional information regarding applicable local laws, please contact the municipal facility and/or local distributor.

Parts and Features

The parts and features for the blender are shown on this page. Your blender is designed for blending and mixing beverages.



Noise Level

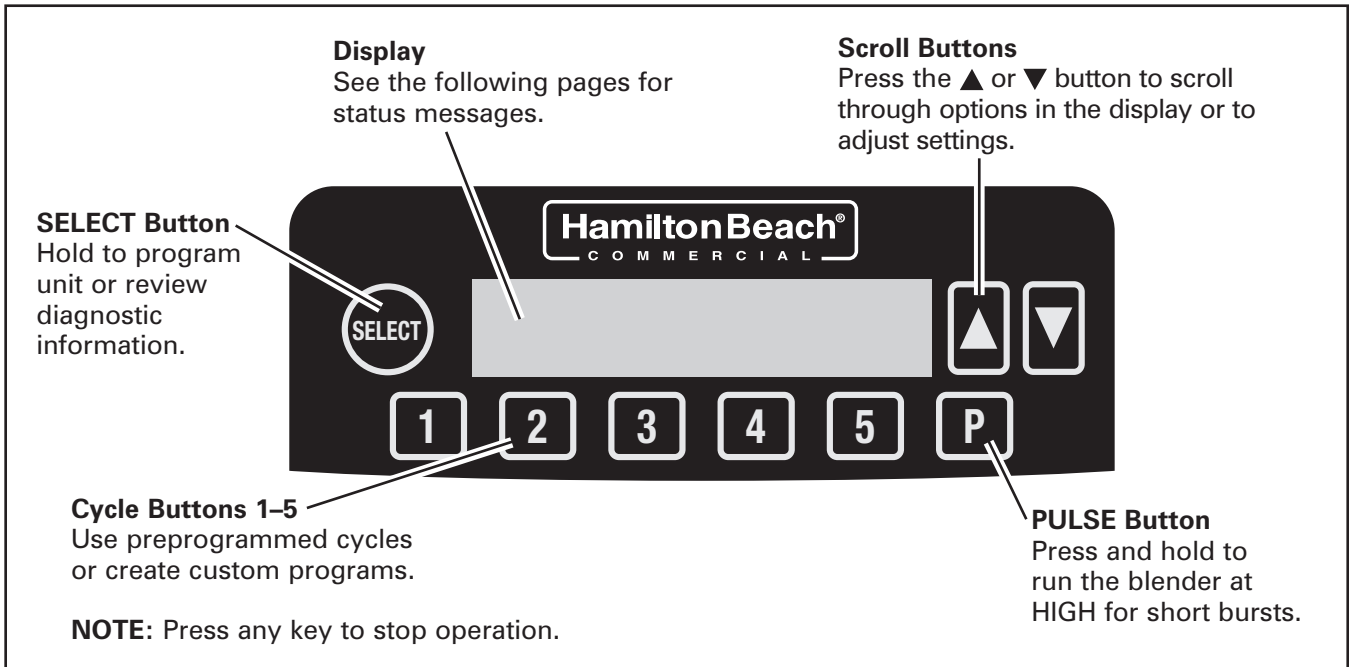
The equivalent continuous sound level when the mixer is operating on no-load is less than 70dB(A).

Optional

To Load Custom Programs with the Memory Card:

1. Turn OFF (O) and unplug unit.
2. Remove the memory card cover.
3. Insert memory card.
4. Plug in unit and turn ON (Reset).
5. Display will show a confirmation message.
6. Turn OFF (O) and unplug unit.
7. Remove memory card and reinstall the memory card cover.

Control Panel



Blender Operation – Quick Start Guide

1. Read Important Safety Instructions and Warning Symbol Explanations before use.
2. Place the blender on a dry, level surface.
3. Make sure the power switch is OFF (O). Plug the blender into a grounded 3-prong electrical outlet.
4. Place the container on the base with ingredients and container lid in place.
5. Turn the blender on by pressing the Power Switch marked Reset [ON (I)] / OFF (O). The red LED switch indicates that power is ON (I).
6. Select the desired function.
7. Use any button to stop operation.

Using the Controls

1 2 3 4 5 P

These preset program buttons each have a blending cycle designed for commonly made drinks (see separate drop-in). Each button can be changed to a different preprogrammed cycle using the directions below.

Changing Programs

PROGRAM UNIT
SELECT OR SCROLL
Hold **SELECT** to program unit. Press **SELECT** to continue.

PROGRAM 1-8
SCROLL OR HOLD 1-5
There are 8 preset programs. Scroll up ▲ to view the program. Hold button 1-5 to assign a program or continue to scroll up ▲ for the following additional programs.

HIGH SPEED
Y-SELECT OR SCROLL

LOW SPEED
Y-SELECT OR SCROLL

JUMP SPEED
Y-SELECT OR SCROLL


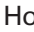
Press **SELECT** and scroll up ▲ to select cycle time. Hold button 1-5 to assign a program.

NOTE: Saving a new cycle to a location will overwrite any existing cycle in that location.



Using the Controls

Hold **P** button to run blender at high speed. Release to stop blender.

Information and Settings



**PROGRAM UNIT
SELECT OR SCROLL** Hold  to enter the menu and scroll up  to INFORMATION option.

**INFORMATION
SELECT OR SCROLL** Press  to enter INFORMATION menu and scroll up  to view below options.



For all options below, press  to view information or scroll for next option. Press  a second time during any option to exit program menu.

CYCLES INTO WARRANTY   **CYCLES INTO WARRANTY.**




CUSTOM CYCLE COUNTER   **CUSTOM CYCLE COUNTER.** This cycle counter can be reset by the operator.



CLEAR CYCLE COUNTER   **CLEAR CYCLE COUNTER.** This option will only clear custom cycle counter, not cycles into warranty.

CUSTOMER SERVICE   **CUSTOMER SERVICE.**

DISPLAY BACKLIGHT   **DISPLAY BACKLIGHT.** Scroll to enable or disable option for constant display of backlight.

QUIET SHIELD SENSOR   **QUIET SHIELD SENSOR.** This can only be disabled for 120V.

RUN COOL DOWN CYCLE   **RUN COOL DOWN CYCLE.** If the blender motor overheats, this message will be displayed to prompt you to run a cool-down cycle. Remove the container from the blender and press . (For 230V, the Quiet Shield™ must be closed.)

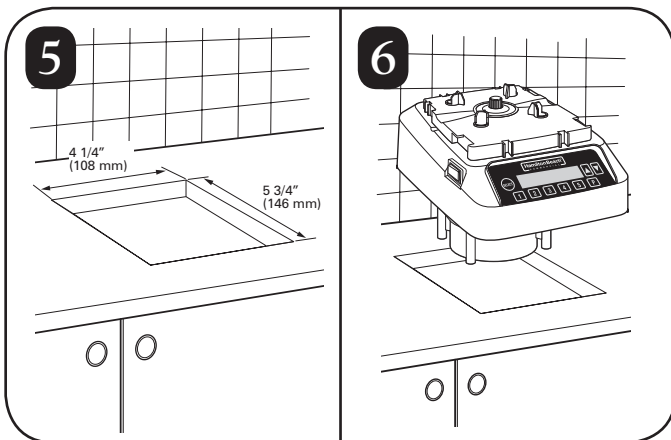
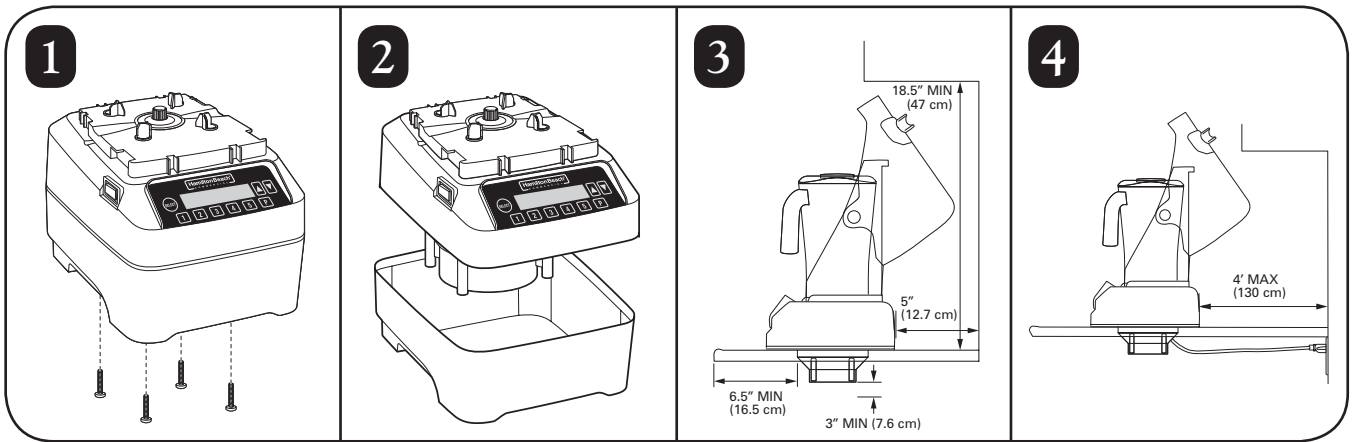
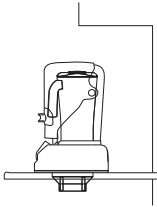
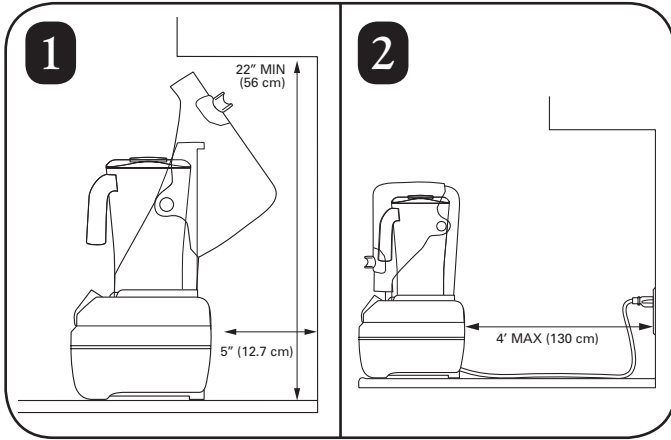
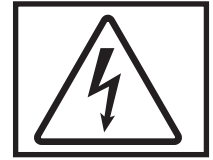
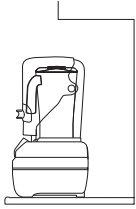
FACTORY DEFAULTS   **FACTORY DEFAULTS.** This option will restore all programs to factory defaults.

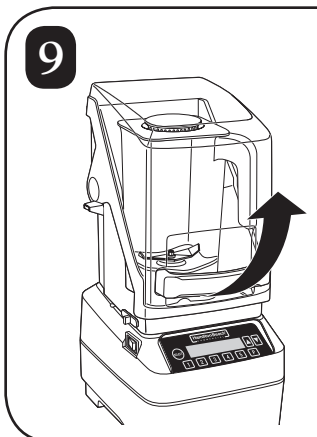
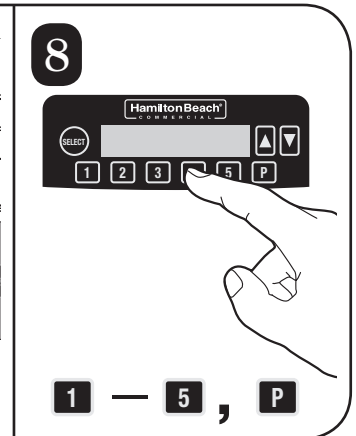
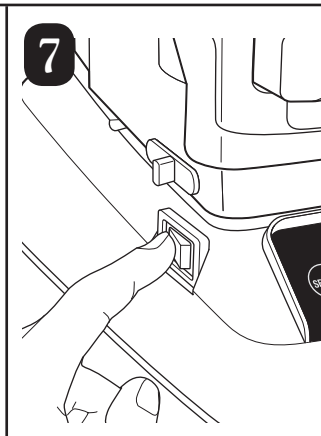
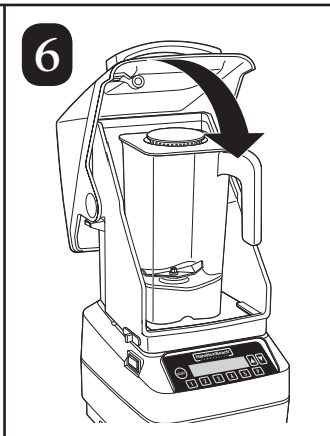
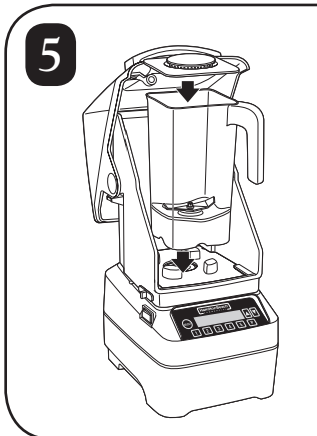
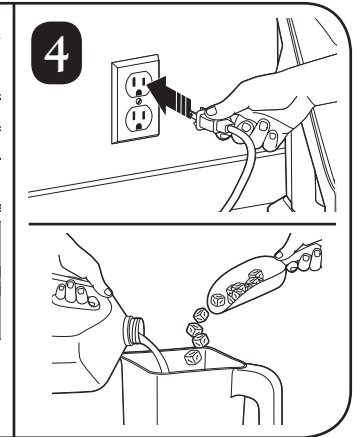
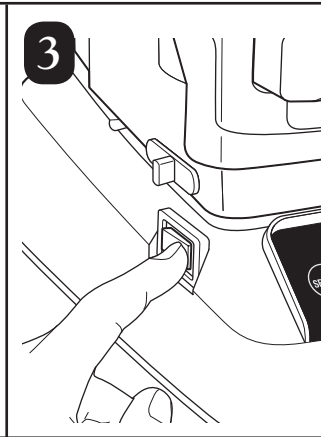
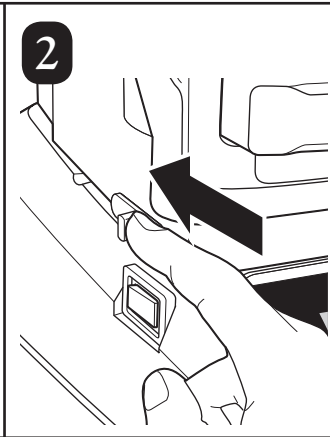
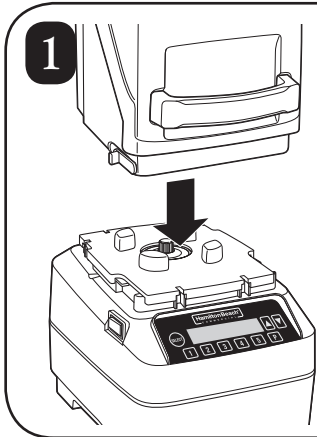
SOFTWARE VERSION   **SOFTWARE VERSION.**

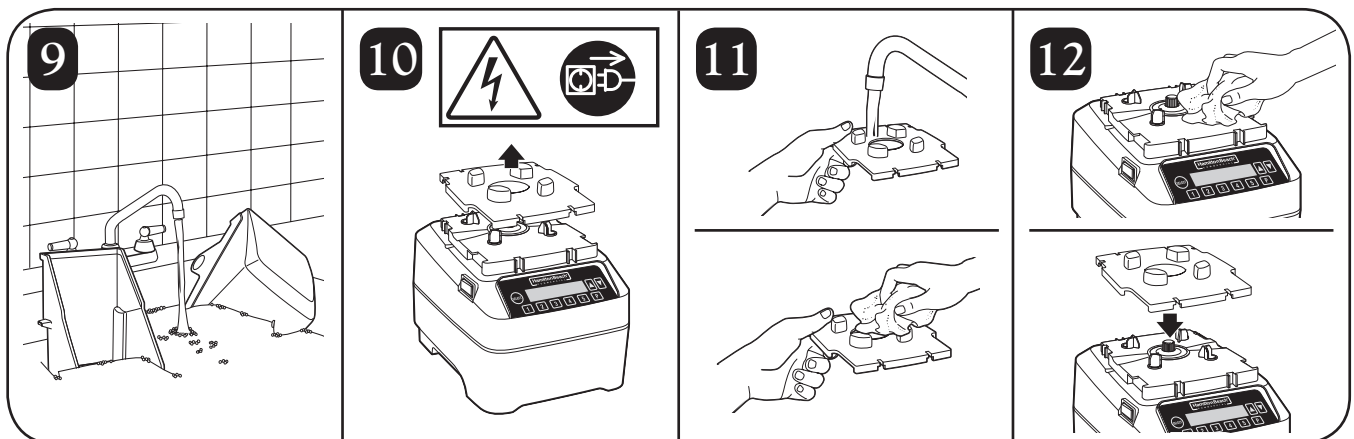
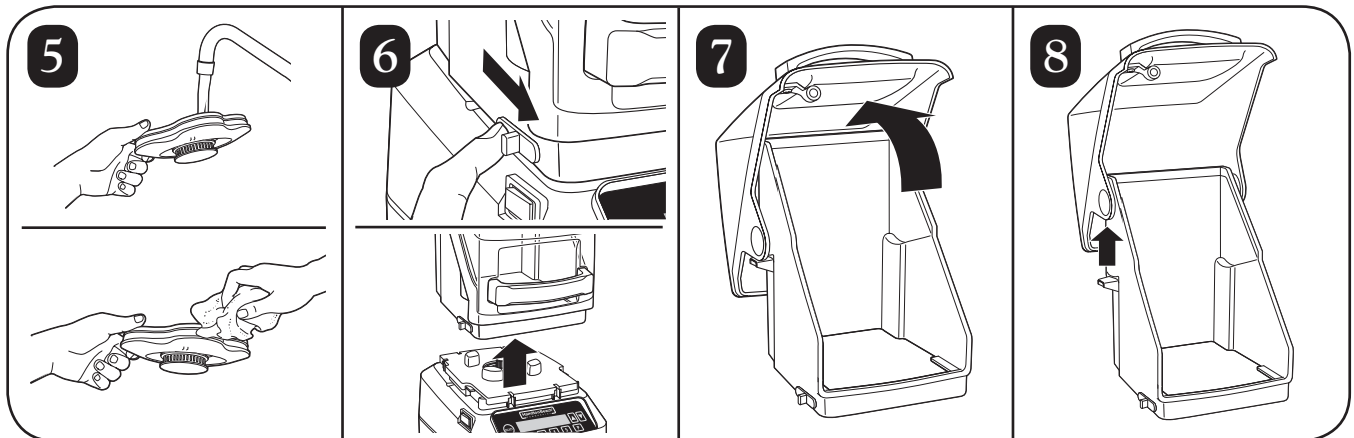
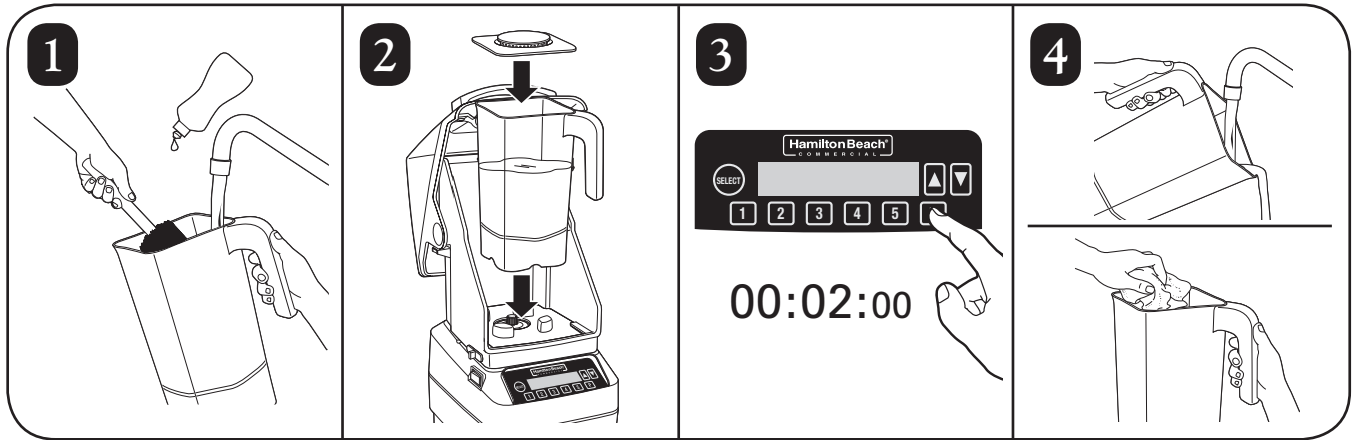
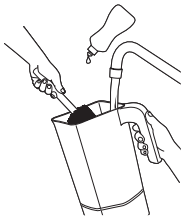
EEPROM VERSION   **EEPROM VERSION.**

Troubleshooting Guide

Problem . . .	Solution . . .
Blender fails to start or stops while it is running and display is blank.	<ul style="list-style-type: none"> • Make sure that the Power Switch is in the ON (Reset) position and is illuminated red. • Check to see if unit is securely plugged into an electrical outlet of the proper voltage and frequency. • Check to see if the fuse for the electrical outlet has blown or if the Power Switch has tripped. • This blender is equipped with motor overload protection. If the motor stops during operation due to overheating, unplug and allow the blender to cool down for 15 minutes. Plug blender back in after 15 minutes to resume normal operation.
Blender fails to start or stops while it is running; message appears in display.	<ul style="list-style-type: none"> • Make sure that the jar is seated properly on the blender base. • Blender will not operate unless jar is properly seated. • Make sure Quiet Shield™ is down and in correct position.
Blender fails to start or stops while it is running.	<ul style="list-style-type: none"> • Thermal overload protection has been tripped. Attempt to run “cool down cycle.” Follow instructions in display. • This blender is equipped with motor overload protection. If the motor stops during operation due to overheating, unplug and allow the blender to cool down for 15 minutes. Plug blender back in after 15 minutes to resume normal operation.
Unit does not respond to button commands or error message appears in display.	<ul style="list-style-type: none"> • Turn the power off and back on using the power switch to reset the controls. • Turn the power off and back on using the power switch. If the error message still appears, the unit will need to be serviced.
Ingredients will not mix properly.	<ul style="list-style-type: none"> • Check to see if enough liquid has been added to the ingredients. Mixture should be fluid and free-running at all times. • Solid pieces are too large. • Container is too full. Do not fill past highest graduation marking. • Cutter assembly blades are not sharp or are damaged. Inspect container and cutter assembly daily. Replace cutter assembly at least yearly or sooner if cutter assembly appears worn or damaged. • Check to see if cutter assembly is installed properly. • Select speed to create a fluid blend.







4421 Waterfront Drive
Glen Allen, VA 23060

840227010
2/14

www.commercial.hamiltonbeach.com