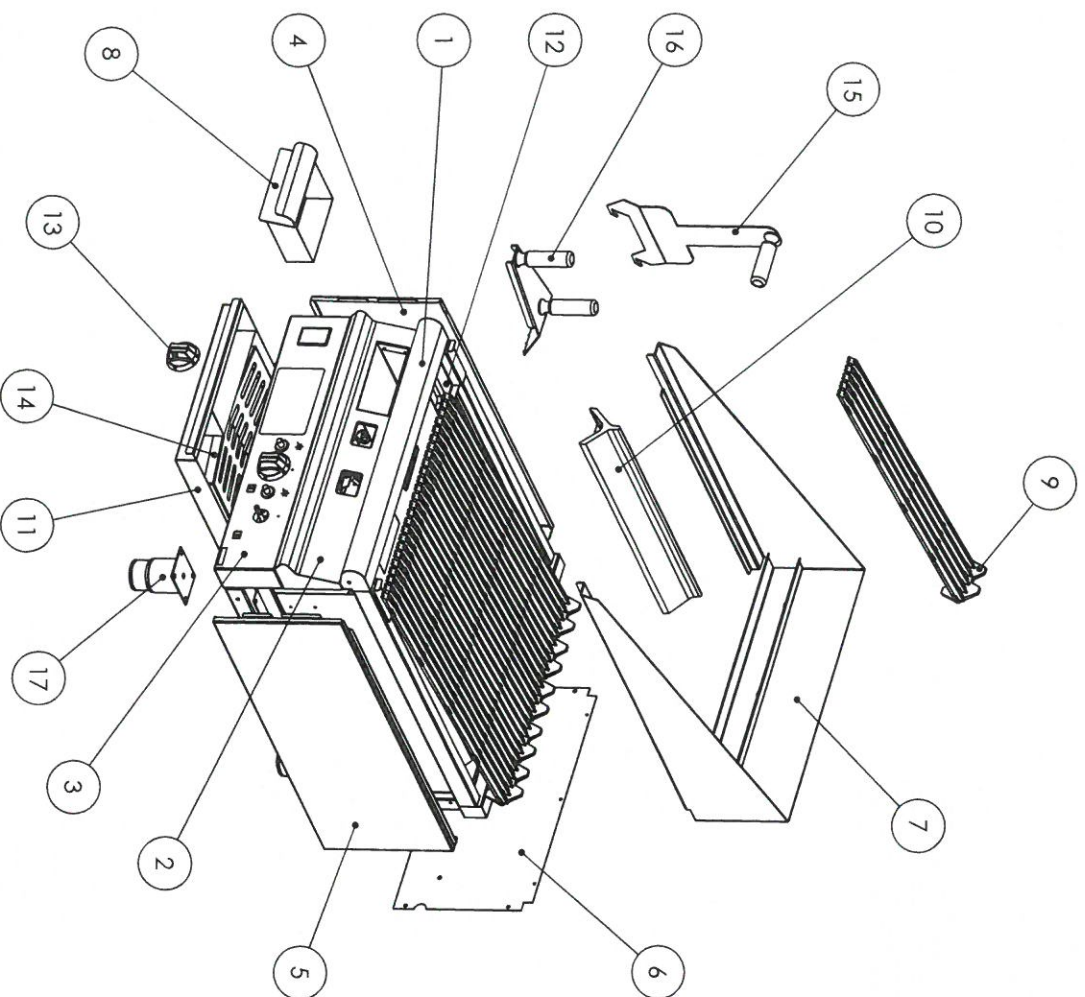


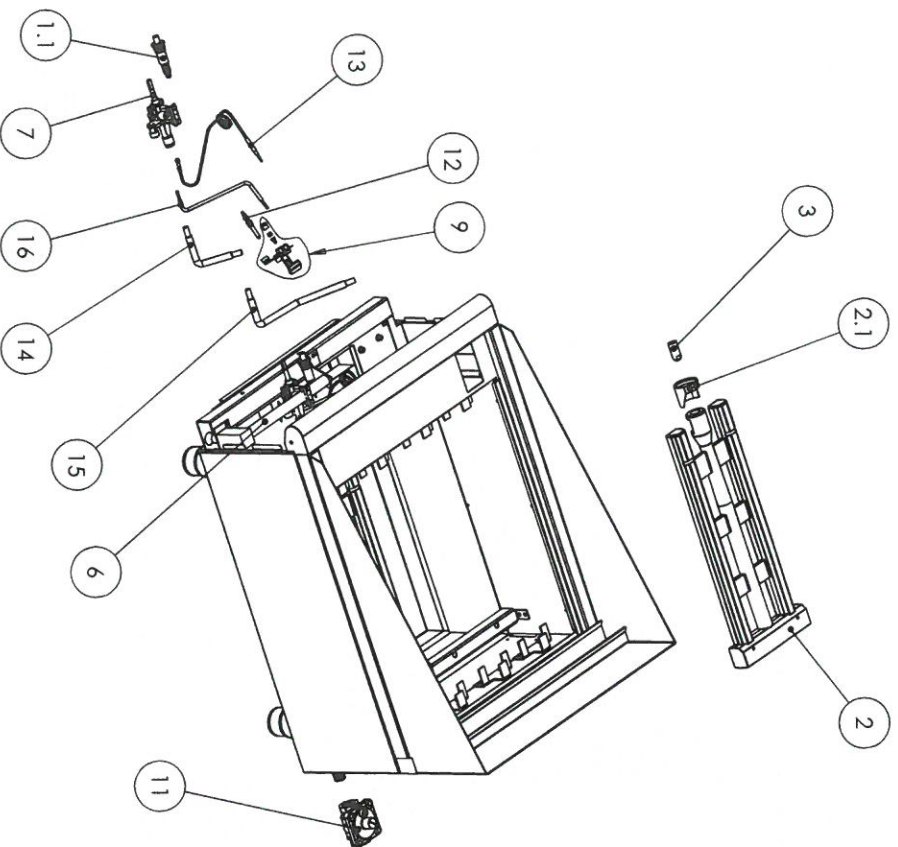
# DOMINATOR PLUS



ITEM	DESCRIPTION	SPARES No
1	HOB ASSEMBLY	535050001
2	FRONT FACIA ASSEMBLY	535050002
3	LOWER CONTROL PANEL	535050003
4	OUTER SIDE LH	535150008
5	OUTER SIDE RH	535150009
6	OUTER BACK	535050004
7	SPLASH GUARD ASSEMBLY	535050005
8	FAT JUG ASSEMBLY	535050006
9	BRANDING GRID	535010013
10	BURNER BAFFLE	535010014
11	DRIP TRAY ASSEMBLY	535000011
12	SPILL TRAY ASSEMBLY	535000003
13	CONTROL KNOB	535050007
14	DRIP TRAY DEFLECTOR PLATE	535050008
15	LIFTING TOOL	535010018
16	SCRAPER	536000046
17	ST/ ST ADJUSTABLE FEET	535150013



# DOMINATOR PLUS



ITEM	DESCRIPTION	SPARES NO G3625	SPARES NO G3625ES
1	SPARK IGNITER KIT (NOT SHOWN)	535150015	535150015
1.1	SPARK IGNITER	535010000	535010000
2	BURNER ASSY	535010015	535010015
2.1	AERATION SHROUD	531880785	531880785
3	BURNER INJECTOR (NAT GAS)	530961130	535101042
4	BURNER INJECTOR (PROPANE)(NOT SHOWN)	535010033	536000027
5	BURNER INJECTOR HOLDER (PROPANE)(NOT SHOWN)	535820020	535820020
6	FLOATRAIL ASSEMBLY	535000006	535000006
7	VALVE ASSEMBLY (NAT GAS)	535010028	535010028
8	VALVE ASSEMBLY (PROPANE)(NOT SHOWN)	536000038	536000038
9	PILOT BURNER ASSEMBLY (NAT GAS)	535010005	535010005
10	PILOT BURNER ASSEMBLY (PROPANE)(NOT SHOWN)	535010034	535010034
11	GOVERNOR ASSEMBLY (NAT GAS ONLY)	536000044	536000044
12	ELECTRODE	537742004	537742004
13	THERMOCOUPLE	537883018	537883018
14	PIPE KIT Ø 10 X 250	535010008	535010008
15	PIPE KIT Ø 10 X 500	535010010	535010010
16	PIPE KIT Ø 4 X 400	535010012	535010012

Issue	Alteration	Date	Product	Document Reference
A	Initial Issue	09/08/11	G3625	AD48868

