

Waffle Maker

Instruction Manual & Guarantee

Dualit[®]

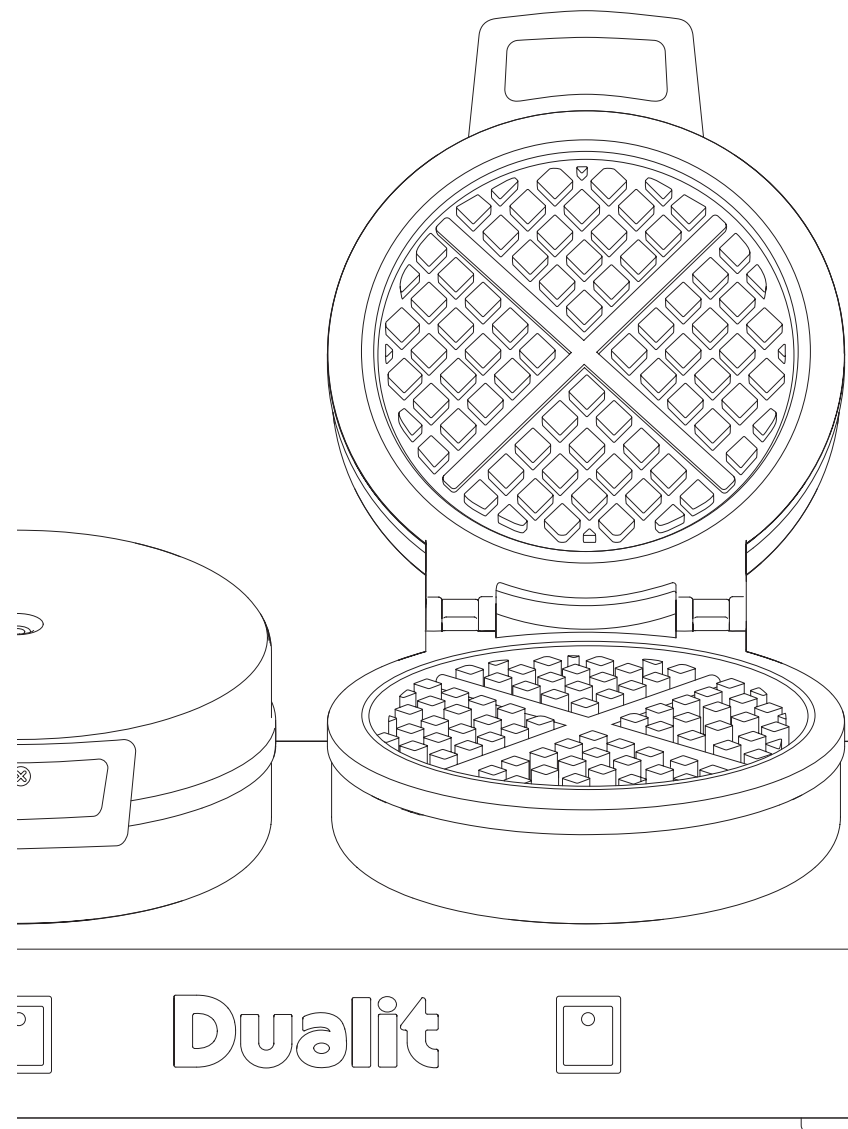
Since 1945

Dualit[®]



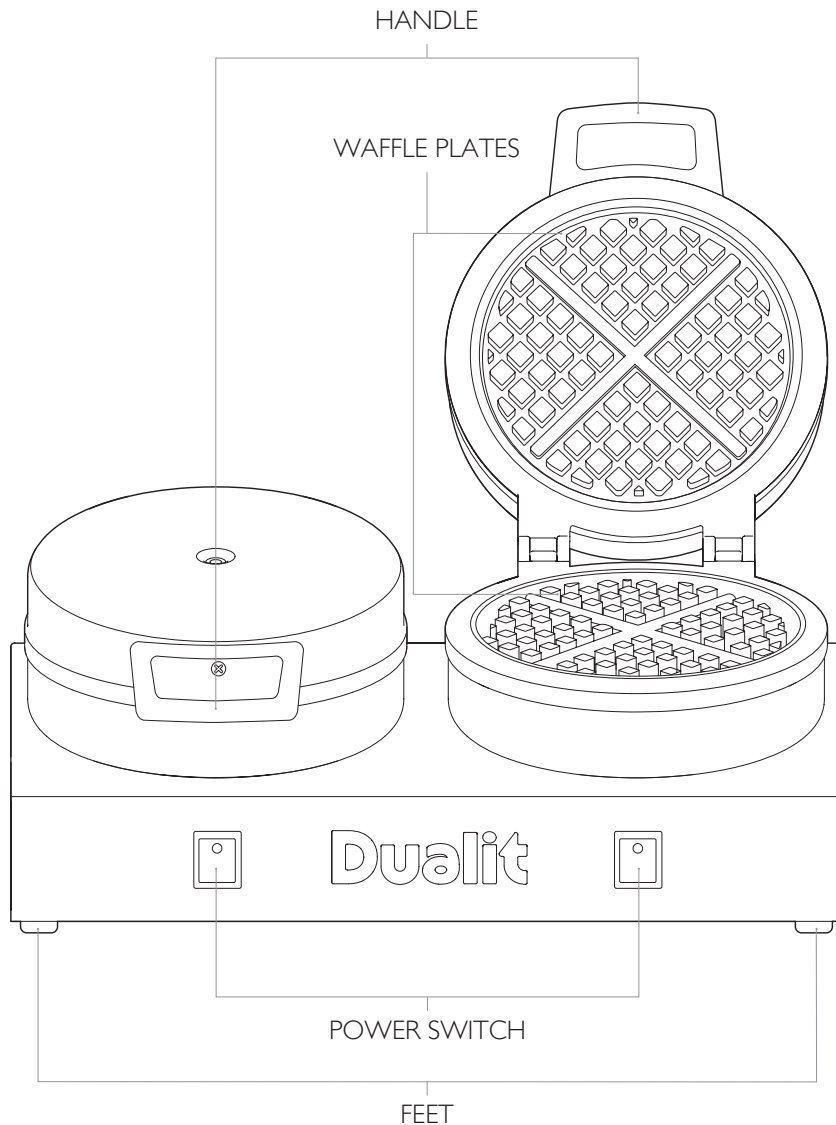
Dualit Limited County Oak Way Crawley West Sussex RH11 7ST
Telephone: +44 (0) 1293 652 500 Facsimile: +44 (0) 1293 652 555
Email: info@dualit.com Web: www.dualit.com

GB0710



KNOW YOUR WAFFLE MAKER

The hardworking stainless steel 'Waffle Maker' make delicious waffles. The machine is made from satin finish, top grade stainless steel and each plate is coated with two layers of Non-stick material. The Hotplates can be turned on individually for greater economy.



OPERATING INSTRUCTIONS

1. Before use remove screws on handle and clamp and fit plastic handle over clamp and screw on tightly.
2. Both sets of plates can be switched independently.
3. Pre-heat Waffle Plates for 8 minutes.
4. Very lightly oil the top and bottom waffle plates before using for the first time. Thereafter it is only necessary to smear a little oil after making a few waffles. **DO NOT OVER OIL**, as this will cause staining of the exterior surfaces.
5. Pour one large tablespoon of the mixture in the middle of the grid.
6. Close the lid and allow to cook for a couple of minutes.
7. Lift the lid and remove the waffle with plastic tongs or spatula **NEVER USE METAL UTENSILS.**
8. It is imperative that the waffle plates are wiped over with a damp cloth after each use to prevent carbon build up.
9. After each day's use, allow to cool. Use a **NYLON BRUSH** and clean **ALL** signs of grease off the plates and then Wipe over with a clean damp cloth.
10. Never immerse the waffle iron in water.
11. Shut off power when not in use and disconnect from wall socket.

CLEANING

DAILY CLEANING

Ensure that the waffle maker is disconnected from the electricity supply before attempting any cleaning. Use a damp cloth and clean thoroughly.

IF CARBON HAS BUILT UP

A damp BRILLO pad can be used to remove carbon build up. Ensure that all traces of the cleaning agent are removed before toasting. **Lightly oil the plates for a few uses after cleaning.**

IT IS IMPERATIVE THAT THE CLEANING INSTRUCTIONS ARE COMPLIED WITH.

WARRANTY

In the unlikely event of a fault with your Dualit waffle maker, providing it is within one year from date of purchase, please contact the place of purchase or Dualit direct. Keep your receipt safe, as you will require this as proof of purchase.