



MODEL: **WS3-TX-BL**

BASIX

manufactured by **MECHLINE**

BaSix WS3 Hand Wash Station with a pair of AquaTechnix LEVER taps

Dimensions: O/D: 300 x 320 x 195mm Bowl: 260 dia x 150mm deep

Manufacturer: Mechline Developments Limited.

Brand: BaSix.

Model Range: WS3

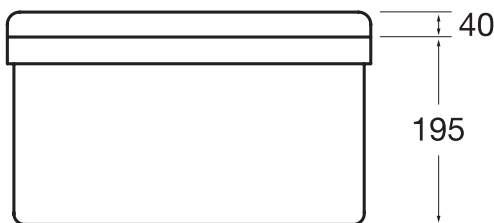
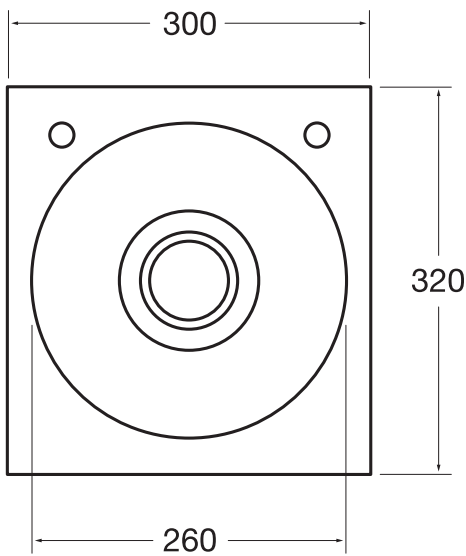
Controls: Lever.

Tap Type: AquaTechnix Lever.

Accreditation: WRAS.

FEATURES & BENEFITS

- Range of hygienic hand washing solutions.
- Helps operations meet their requirement to provide hand-washing stations on site.
- Good and safe habits are more easily followed and enforced.



MAINTENANCE & CLEANING

Cleaning chrome: Do not use abrasive, chlorine or acid-based cleaning products. Avoid contact with concentrated bleach.

Clean with soapy water using a cloth or sponge.

Dimensions are in millimeters. If a CAD file is required please visit www.mechline.com.



MECHLINE

MECHLINE DEVELOPMENTS LIMITED

Tel: +44 (0)1908 261511 | Email: info@mechline.com | Web: www.mechline.com