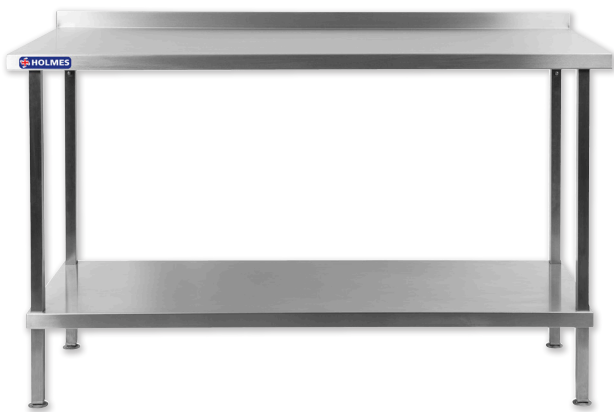
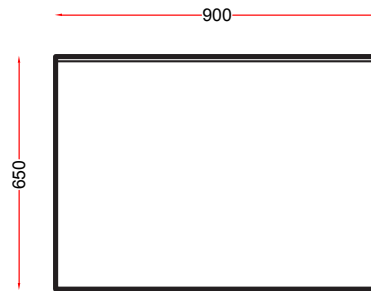
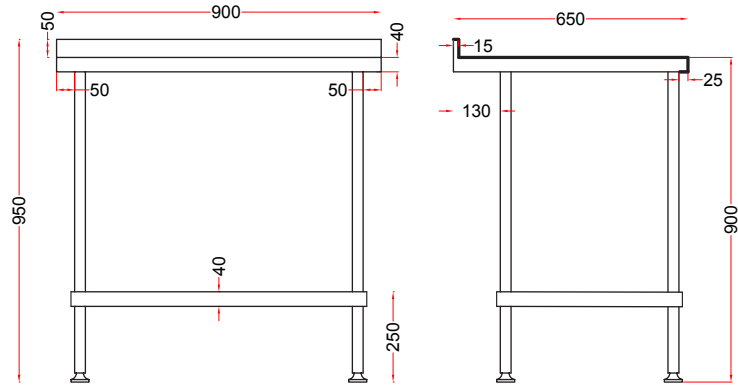


STAINLESS STEEL WALL TABLE - DR028

DIMENSIONS



Holmes Stainless Steel Wall Table gives you a robust, strong and reliable table for use in kitchens and food preparation areas, featuring an extremely hygienic 304 stainless steel work surface, supported on a sturdy stainless steel underframe with fully adjustable feet. Ideal for preparing food on, the table also features a stainless steel undershelf that can be used for storage, helping you to make the most of your kitchen space.

TECHNICAL DATA

Unpacked height (mm)	900 + 50 upstand
Unpacked width (mm)	900
Unpacked depth (mm)	650
Weight (kg)	12
Material top	SAE grade 304; EN 1.4301, X5CrNi18-10
Material sub-top	SAE grade 430; EN 1.4016, X6Cr17
Surface finish	Satin
Type of Mounting	Floor
Feet	Adjustable