

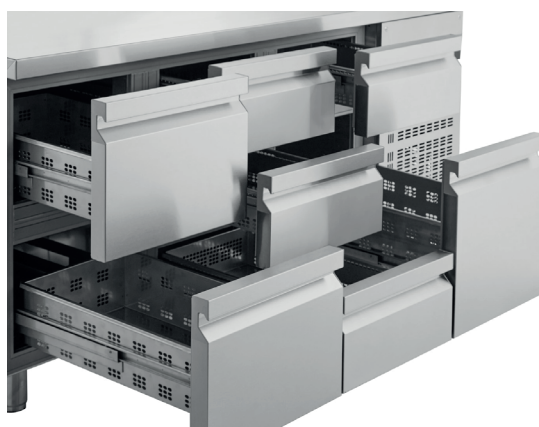
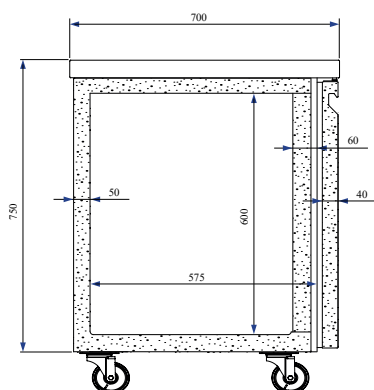
1/1 Gastronorm Refrigerated Counters

700mm Depth

PN99-HC



PN999-HC



Factory fitted drawer options (Special Order)

OPTIONAL EXTRAS	
Drawer Options (in lieu of 1 door)	
2 x GN1/2	£302.00
3 x GN1/3	£398.00
1 x GN1/3 + 1 x GN2/3	£316.00

FEATURES

High grade AISI 304 stainless steel exterior & interior, including back

1 x GN1/1 shelf per door, shelf size 530 x 325mm

Internal corners rounded for easy cleaning

Castors as standard

Replaceable door gasket

Self closing doors

Epoxy coated evaporator to resist corrosion

TECHNICAL SPECIFICATIONS

Controller: Digital controller with temperature display

Cooling: Ventilated

Defrost: Automatic

Refrigerant: R290

Climate Class: 5

Temperature Range: +1°C ~ +10°C

Decibels: 61dBA

Power Supply: 13amp

MODEL	DOOR	GROSS CAPACITY	EXT. DIMENSIONS (H x W x D mm)	ENERGY RATING	POWER CONSUMPTION	KWH /ANNUM	WEIGHT (kg)	RRP
PN99-HC	2	274L	890 x 1345 x 700	B	351W	657	121	
PN999-HC	3	429L	890 x 1790 x 700	B	351W	803	150	
PN9999-HC	4	583L	890 x 2240 x 700	B	440W	949	180	



See page 9 for full GN container range

