
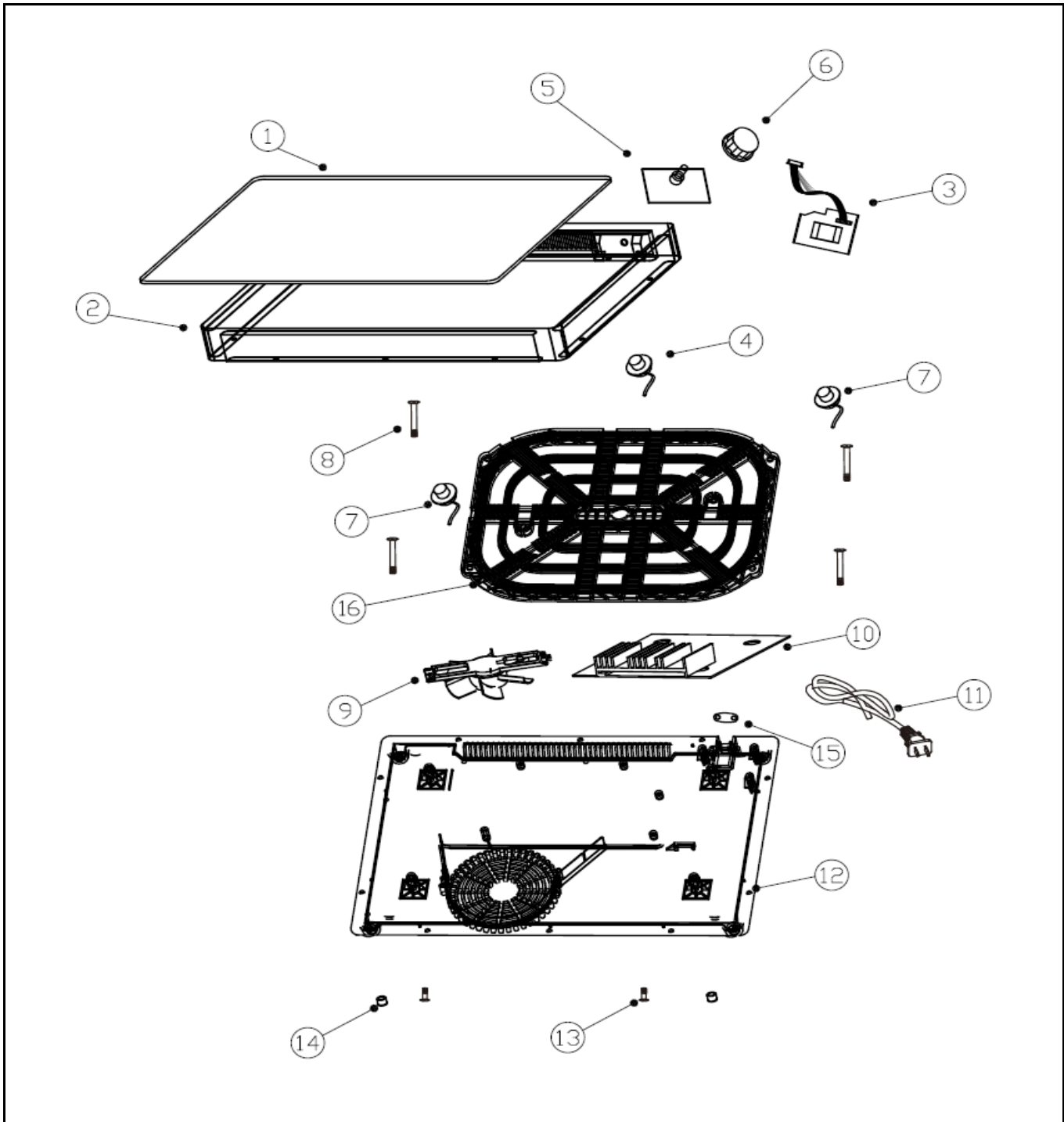



Drawing

 <p>Hendi B.V. Steenoven 21 3911 TX Rhenen The Netherlands</p>	Batch #	Appliance part#
	170653 and up	209523
	Description	
	Induction Hot Plate Display Line	

Date	25-06-2018	Revision #	1.0
Revision	First Bill of Materials (BOM)		



Bill of materials (BOM)

 HENDI <small>FOOD SERVICE EQUIPMENT</small> Hendi B.V. Steenoven 21 3911 TX Rhenen The Netherlands	Batch #	Appliance part#
	170653 and up	209523
	Description	
	Induction Hot Plate Display Line	


Date	25-06-2018	Revision #	1.0
Revision	First Bill of Materials (BOM)		

Item	Description	Part#	Quantity	Remark	Picture
1	Glass Plate	n/a	1		
2	Upper Housing	n/a	1		
1 + 2	Upper Housing incl. Glass	n/a	1		
3	Control PCB	n/a	1		
4	Sensor A	n/a	1		
5	Knob Control PCB	n/a	1		
6	Knob	n/a	1		
7	Sensor B	n/a	2		
8	Mounting screw Coil	n/a	4		
9	Fan	919446	1		
10	Main PCB	n/a	1		
11	Powercord	n/a	1		
12	Bottom Housing	n/a	1		
13	Mounting screw Bottom Plate	n/a	4		
14	Feet	n/a	4		
15	Powercord retention	n/a	1		
16	Main Coil	n/a	1		

n/a -> not available

nss -> not sold separately

Wiring diagram

 <b style="font-size: 2em; font-weight: bold; color: red;">HENDI <small>FOOD SERVICE EQUIPMENT</small> Hendi B.V. Steenoven 21 3911 TX Rhenen The Netherlands	Batch #	Appliance part#
	170653 and up	209523
	Description	
	Induction Hot Plate Display Line	

Date	25-06-2018	Revision #	1.0
Revision	First Bill of Materials (BOM)		

