



FWDG - Lincat Electric Counter-top Food Warming Drawers - W 620 mm - 1.5 kW

Keep buns, rolls, pastries, breads, potatoes and meats warm and succulently moist for up to one hour with the Lincat Food Warming Drawers.

- ✓ Pre-set thermostat keeps food at constant temperature
- ✓ Humidity facility keeps contents moist for extended periods
- ✓ Full insulation ensures energy efficiency and safe cool surfaces
- ✓ Large removable drawers for ease of cleaning
- ✓ Smooth action stainless steel runners

Specifications

Summary

Range Name	Lincat
Power Type	Electric
Unit Type	Counter-top
Available in UK Only	No
UK Warranty	2 Years Parts and Labour Warranty
Export Warranty	Contact your local dealer
GTIN Code	5056105101697

Power and Performance

Gastronorm Capacity	1 x GN1/1 per shelf
Total Power kW	1.5
Temperature Range °C	64 - 70
IP Rating	IP23
Temperature Control	Mechanical

Weights and Dimensions

Unit Height (External) mm	490
Unit Width (External) mm	620
Unit Depth (External) mm	578
Height (Internal) mm	110
Width (Internal) mm	503
Depth (Internal) mm	298
Net Weight Kg	48.2

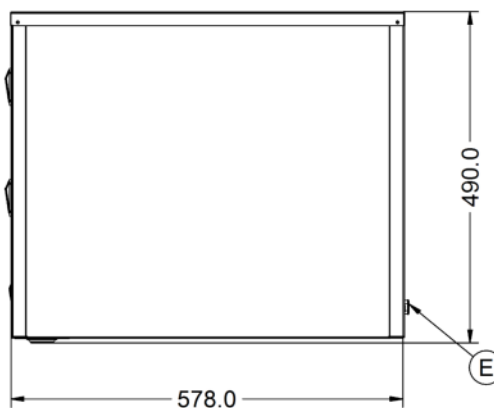
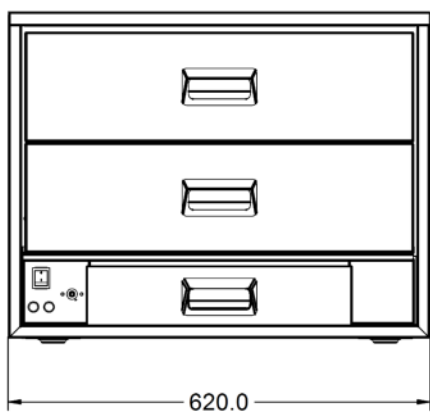
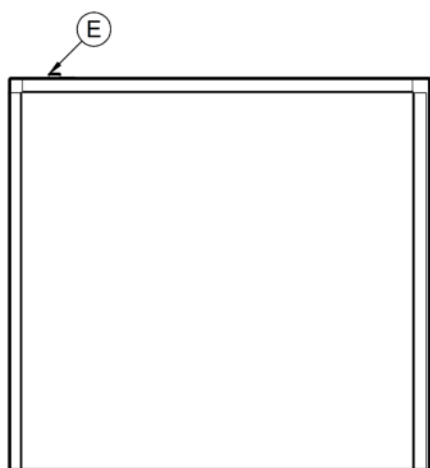
Supply Connections

Requires Installation	No
Requires Electrical Supply	Yes
UK 3 Pin Plug	Yes
Requires Hardwiring	No
Electrical Supply Rating Watts	1,500
Single Phase Amps	6.5
Single Phase Voltage	230
Three Phase Voltage	400

Shipping

Packed Weight Kg	63.2
Packed Height cm	102.3
Packed Width cm	70.3
Packed Depth cm	70.3

Technical Picture



Lincat Limited

Whisby Road,
Lincoln, LN6 3QZ,
United Kingdom

Company No: 2175448

A member company of



Customer Care

Tel: +44 1522 875500
Email: care@lincat.co.uk

Export Customers

Tel: +44 1522 503250
Email: export@lincat.co.uk

Opening Hours

Monday – Friday:
8.30am – 5pm