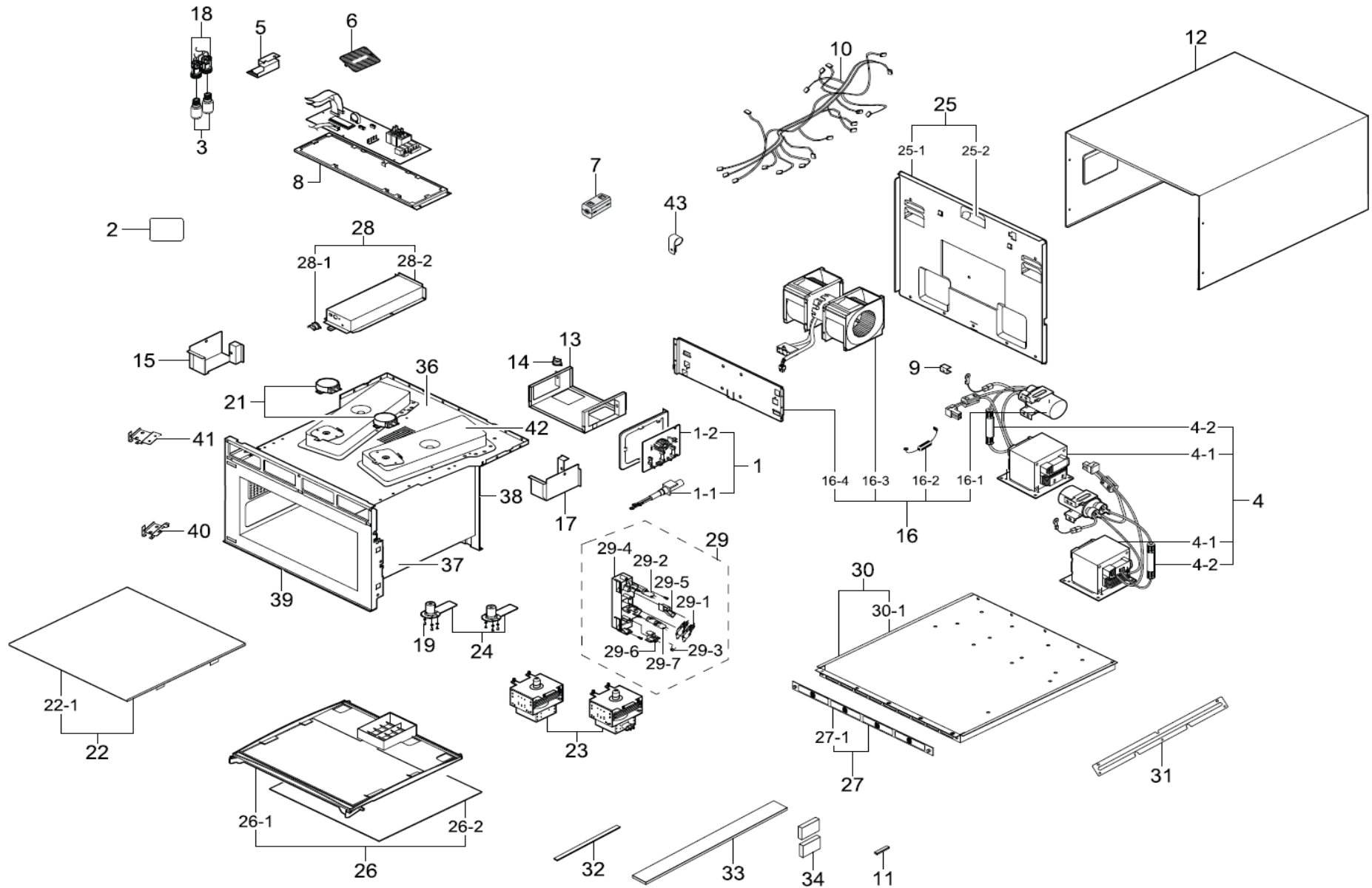


Exploded diagram and spare parts list – GK641 - Buffalo CMWO 1500W Programmable

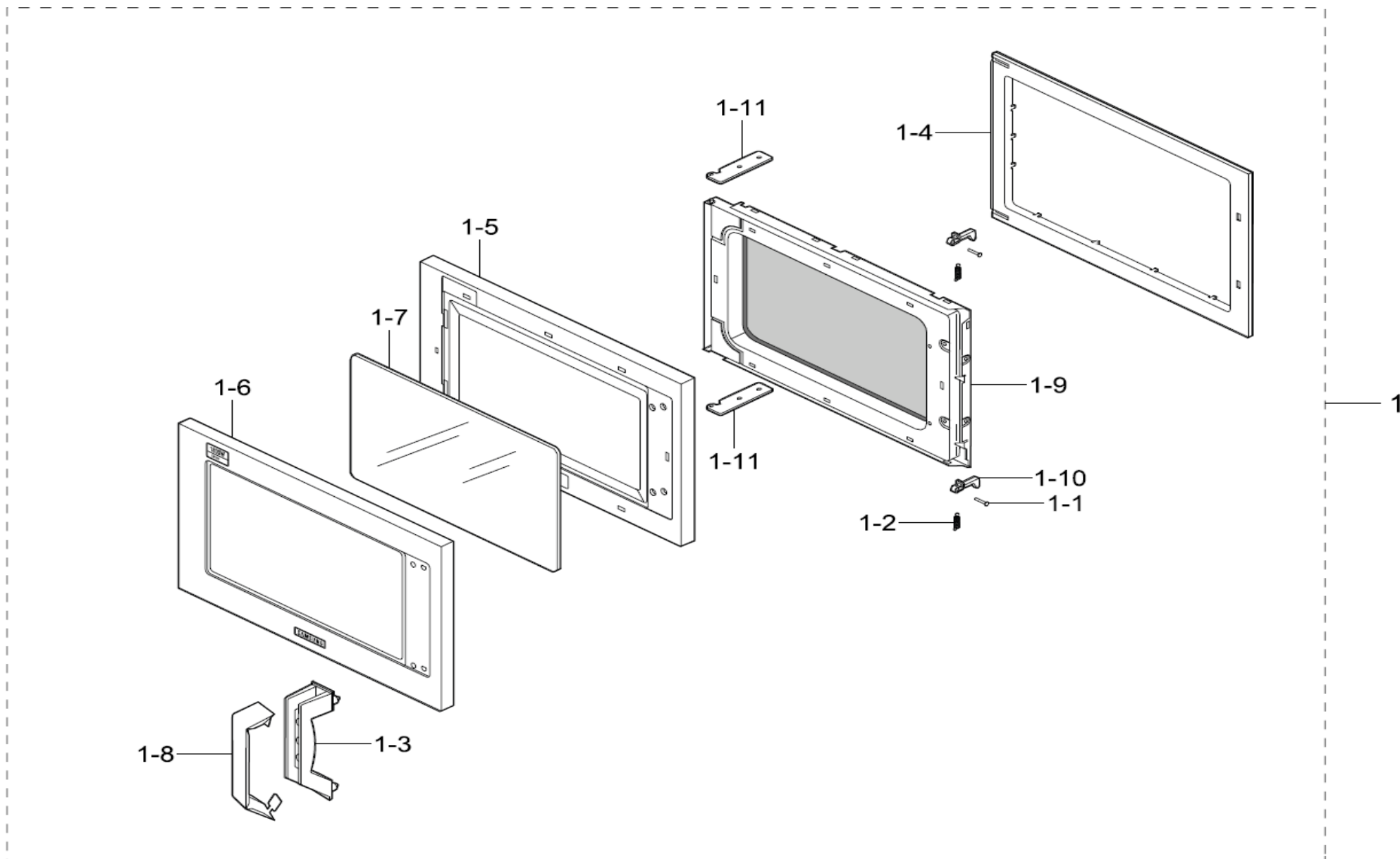


Exploded diagram and spare parts list – GK641 - Buffalo CMWO 1500W Programmable

Explode	Code	Stocked	Description
1	DE94-03068A	✓	ASSY HOLDER; CM1929
1-1	DE96-00180B	☎	CBF-POWER CORD; AT,U.K,GB3F,,,Black,1500
1-2	DE96-00734A	✓	ASSY NOISE FILTER;SN-CM1929,250V/15A,250
2	DE01-00095A	✓	FILM-LAMP; PET,PET,84,T0.15,114,CM-1819,H
3	4713-000168	✓	LAMP-INCANDESCENT;230V,25W,NTR,22X70mm
4	DE96-00964A	☎	ASSY POWER PACK; CM1519-1/XEU,0.9 CU.FT
4-1	DE26-00058B	✓	TRANS H.V; SHV-906EG2,240V,2400V/3.40V,AL
4-2	DE91-70061A	✓	ASSY H.V.FUSE;THV060T,5KV,800mA,SCREW,WH
5	DE61-90318A	☎	HOLDER LAMP; W134,EGI-SECC,T0.8,-,L40.5
6	DE92-90533A	☎	ASSY-LAMP HOLDER; CM1819/CM1829,-,-
7	DE73-90027A	☎	CORE-FERRITE; T13.8,NI-ZN,BNF-14(K150),L2
8	DE61-50520A	☎	BRACKET PCB; EGI-SECC,T0.8,CM-1819
9	DE61-50541A	☎	BRACKET EARTH; EGI-SECC,T1,W15,L8
10	DE96-00503A	✓	ASSY WIRE HARNESS-A; Heavy COmmercial,230
11	DE63-90064B	☎	CUSHION; PU FOAM,T5X10X50
12	DE70-30123A	☎	PANEL OUTER; CM1919/XEU,STS430,T0.6
13	DE72-50088A	☎	DUCT FAN; CM-1819,ALCOT,T0.5
14	DE47-20017A	☎	THERMOSTAT;125/250V,15/7.5A,150,60,NORMA
15	DE72-50090A	☎	DUCT-MGT/L; CM-1819,EGI-SECC,T0.5
16	DE91-50093R	✓	ASSY MOTOR FAN;CM1619/1629,-,240V,-,COMM
16-1	2501-001282	✓	C-OIL HIGH VOLTAGE; 1000nF,2100V,BK,34x54
16-2	DE59-00002A	✓	DIODE-H.V;MWO,2CL4512H/CL04-12A,500mA,12
16-3	DE31-10180A	✓	MOTOR AC VENTILATION;SMV-1829EA,2,240V,5
16-4	DE61-30189A	☎	SUPPORT-FAN-MOUNT;EGI-SECC,T1,CM-1819
17	DE72-50089A	☎	DUCT-MGT/R; CM-1819,EGI-SECC,T0.5
18	DE47-40029A	☎	LAMP SOCKET; 250V,2A,PBT,E14,1,Snap in fi
19	DE69-90054A	✓	CLIP-STIRRER; 5mm,TEFLON-PFA,CM1819/29
21	DE31-10164B	☎	MOTOR AC DRIVE;M2CK34A709-H(B),8,120V,60
22	DE94-02838A	☎	ASSY ACCESSORY PARTS; CM1519-1/XEU,0.9
22-1	DE97-00319B	✓	ASSY-TRAY CERAMIC;CM1929A/XEU,MWO-COMMER
23	OM75P-20-ESGN	✓	MGT; MGT
24	DE92-90515A	✓	ASSY STIRRER; CM-1819/CM-1829,-
25	DE92-90514A	☎	ASSY-BACK COVER; CM-1819,-,CM-1829,
25-1	DE71-60421A	☎	COVER BACK;EGI-SECC,T0.6,W481.8,L363.9,C
25-2	DE72-50087A	☎	DUCT-EXHAUST; ALCOAT-SA1C,T0.6
26	DE97-00562A	✓	ASSY COVER PANEL; CM1019,PP+SGL,-,-
26-1	DE63-00315A	☎	COVER STIRRER; CM1019,PP,NATUAL
26-2	DE63-00324A	☎	COVER-CEILING; CM1019,MICASHEET,T1,W234,
27	DE92-90516B	☎	ASSY BRACKET FILTER; CM1819,-,-,-
27-1	DE61-50521B	☎	BRACKET-FILTER;CM1819,STAINLESS-STS430,T
28	DE92-90519B	☎	ASSY DUCT AIR;CM1929B,COMMERCIAL,STSS430
28-1	DE47-20008A	☎	THERMOSTAT;125/250V,15A/10A,100,60,NORMA
28-2	DE72-50091B	☎	DUCT AIR;CM1929B,COMMERCIAL,STS430,T0.4

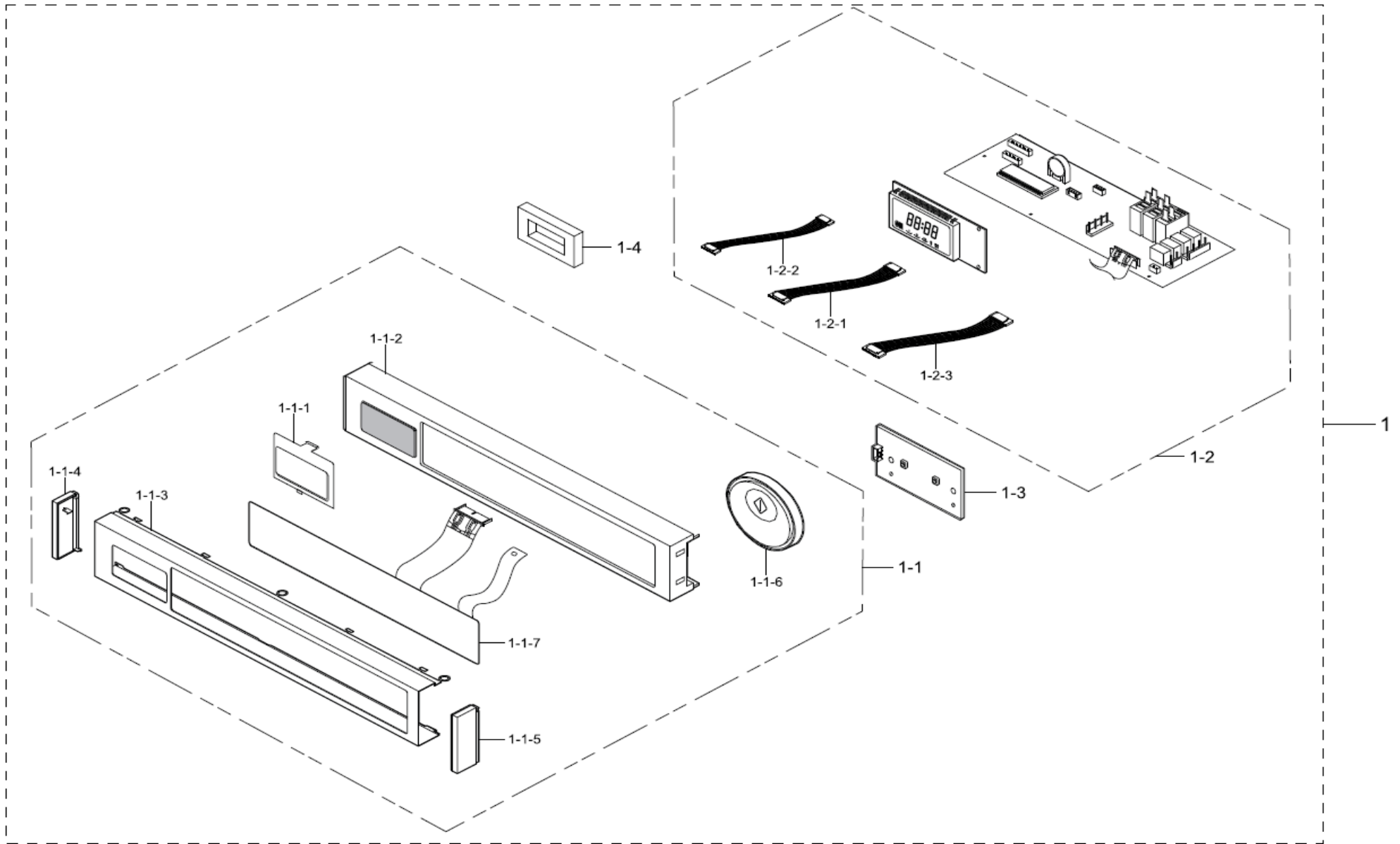
Exploded diagram and spare parts list – GK641 - Buffalo CMWO 1500W Programmable

Explode	Code	Stocked	Description
29	DE93-20097E	✓	ASSY BODY LATCH; CM1819/1829,EUROPE
29-1	3405-001055	☎	SWITCH-MICRO;125/250VAC,16A,200gf,SPST-N
29-2	3405-001034	✓	SWITCH-MICRO;125/250VAC,16A,200gf,SPST-N
29-3	DE61-00066A	☎	SPRING-Q; CM1819/1829,MSWR-SWRM,PI0.8
29-4	DE66-40062A	✓	LATCH BODY; CM-1819,PBT,NATURAL
29-5	DE66-90107A	✓	LEVER SWITCH;PBT+GF,VB-5050G,NATURAL
29-6	DE66-90108A	✓	LEVER SWITCH;PBT+GF,VB-5050G,NATURAL
29-7	3405-001032	✓	SWITCH-MICRO;125/250VAC,16A,200gf,SPDT,T
30	DE93-10106F	☎	ASSY BASE PLATE; CM1029/XEU,COATING
30-1	DE93-10106C	☎	ASSY BASE PLATE; CM1819,SECC,-,-
31	DE61-50538A	☎	BRACKET-PLATE; EGI-SECC,T1
32	DE63-00008K	☎	CUSHION SPONGE; PURFOAM,PUT-FOAM,T2,W8,L
33	DE63-00009T	☎	CUSHION SPONGE; PURFOAM,T50,W8,L530,BLK
34	DE63-90062C	☎	CUSHION-HVT; NEOPRENE RUBBER,T18,W30,L50
36	DE71-20261A	☎	CAVITY UP; STS430,T0.5,W467,L521.2
37	DE71-20260A	☎	CAVITY MAIN; STS430,T0.5
38	DE71-20258A	☎	CAVITY BACK; STS304,T0.5,W314,L394
39	DE94-01333A	☎	ASSY CAVITY FRONT; COMMERCIAL,1,-,-,-
40	DE61-50513B	☎	BRACKET-HINGE(U); EGI-SECC,T1
41	DE61-50514B	☎	BRACKET-HINGE(L); EGI-SECC,T1,CM-1819
42	DE92-90507A	☎	ASSY WAVE GUIDE; CM-1819,-,-,-
43	6502-001056	☎	CABLE CLAMP;DAWH-2NC,ID18.5,NYLON6/6,NTR



Exploded diagram and spare parts list – GK641 - Buffalo CMWO 1500W Programmable

Explode	Code	Stocked	Description
1	DE94-02846A	✓	ASSY DOOR; CM1529-1/XEU,0.9 CU.FT
1-1	DE60-60080A	☎	PIN-KEY; STS304,L23
1-2	DE61-70144A	☎	SPRING-KEY;HSWR-SWRH,PI1.0,OD6.5,L32.8,2
1-3	DE64-20123A	☎	HANDLE; CM-1819,ZN,-,-,-,-,CM-1819,-
1-4	DE64-40298A	✓	DOOR C; -,PP,-,-,-,-,-
1-5	DE64-90145A	☎	DECORATION DOOR; CM-1819,ABS,-,GE BLACK,K
1-6	DE64-90146A	☎	DECORATION COVER DOOR;STAINLESS-ST5430,C
1-7	DE67-20174X	☎	SCREEN DOOR;CM1529-1/XEU,GLASS,T3.2,364,
1-8	DE71-60433A	☎	COVER HANDLE; CM1929A,STS430,T0.5
1-9	DE92-50132B	☎	ASSY DOOR E; CM-1819,-,BLK,COATING
1-10	DE64-40296B	✓	DOOR-KEY; CMO COMMERCIAL,CR3C ZINC DIEC
1-11	DE61-80138A	☎	HINGE; EGI-SECC,T3.0,W24.5,L29.5



Exploded diagram and spare parts list – GK641 - Buffalo CMWO 1500W Programmable

Explode	Code	Stocked	Description
1	DE94-02182H		ASSY CONTROL BOX; CM1529-1/XEU,0.9 CU.FT
1-1	DE94-02847A	✓	ASSY CONTROL PANEL;CM1529-1/XEU,0.9CU.FT
1-1-1	DE67-40161B		WINDOW-DISPLAY; CM1929,PMMA,SMOG
1-1-2	DE70-30125A		PANEL BASE; CM1929,ABS,HB,HG-0760SR,GE BL
1-1-3	DE71-60426A		COVER PANEL; STAINLESS-ST5430,T0.5,-,-
1-1-4	DE71-60428B		COVER-PANEL(L/L); CM1019,ABS,-,-,-,-,-,
1-1-5	DE71-60429B		COVER PARTITION-BACK; CM1019,ABS,-,-,-,-,
1-1-6	DE66-20212D		BUTTON START; CM1529-1/XEU,ABS,GE BLACK,0
1-1-7	DE34-00158C	✓	SWITCH MEMBRANE;
1-2	DE92-03495D	✓	ASSY PCB MAIN; EUP /RCS-SMS2CM-22,CM1629
1-2-1	DE39-40692A		ASSY WIRE HARNESS;CM1819/29,230VAC,IEC,S
1-2-2	DE39-40694A		ASSY WIRE HARNESS;CM1929,230VAC,IEC,SMH2
1-2-3	DE39-40113B		ASSY WIRE HARNESS;CM1929,230VAC,IEC,XHPSA
1-3	DE61-00808A		GUIDE-START-BUTTON;CM1019,PP,COMMERCIAL
1-4	DE63-00634A		CUSHION-PCB; HEAVY-COMMERCIAL MWO,PUR FOA