

HYGENIKX INSTALL INSTRUCTIONS

AIR & SURFACE HYGIENE AMPLIFICATION SYSTEM

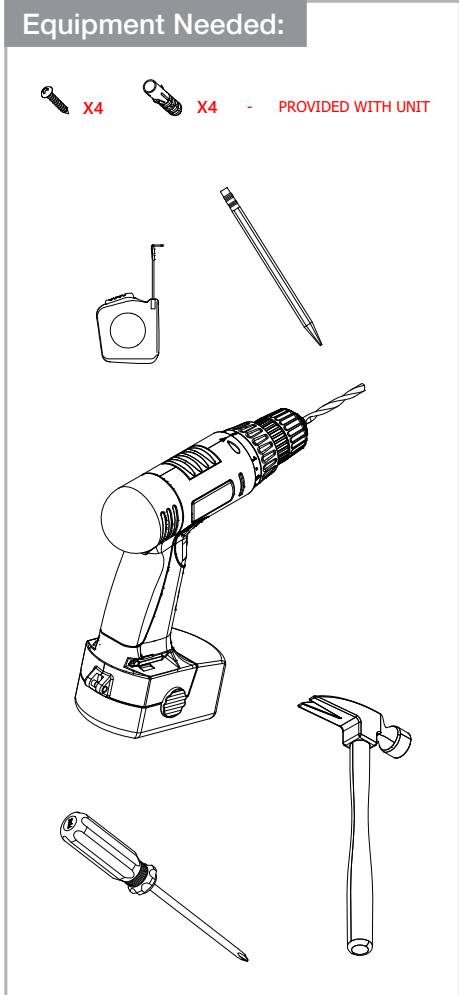
HYGENIKX+

by **MECHLINE**

Thank you for purchasing your HyGenikx product.

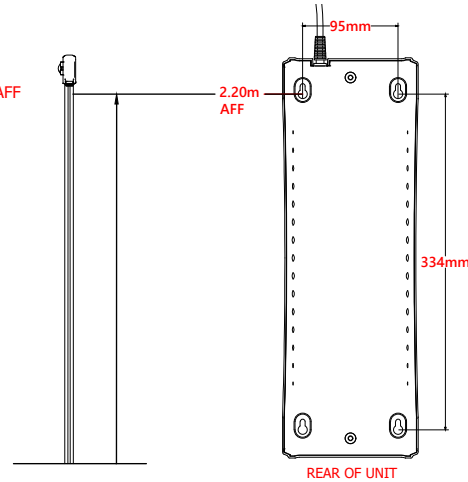
Equipment Needed:

 X4  X4 - PROVIDED WITH UNIT



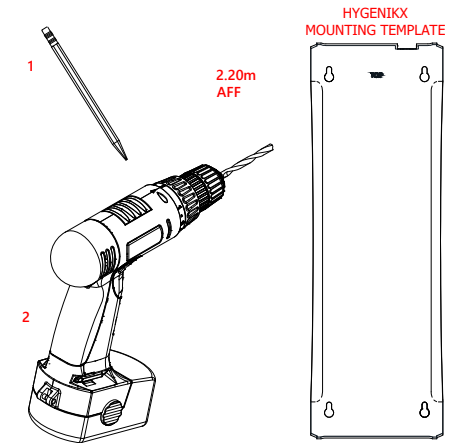
STEP 1

MEASURE 2.2 METERS AFF



STEP 2

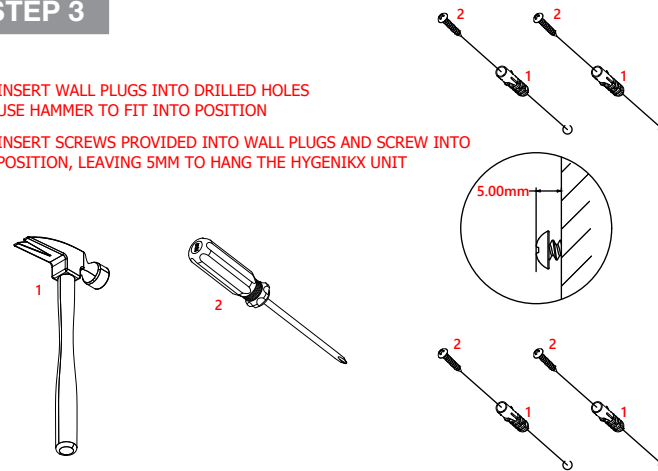
MARK AND DRILL HOLES USING TEMPLATE PROVIDED ON PACKING BOX



STEP 3

INSERT WALL PLUGS INTO DRILLED HOLES USE HAMMER TO FIT INTO POSITION

INSERT SCREWS PROVIDED INTO WALL PLUGS AND SCREW INTO POSITION, LEAVING 5MM TO HANG THE HYGENIKX UNIT



STEP 4

ALIGN POCKETS ON THE BACK PANEL WITH SCREWS AND HANG THE HYGENIKX UNIT INTO POSITION AS SHOWN

