



MODEL: **AJPR30-ST-BF1-S**



AQUAJET
manufactured by **MECHLINE**

AquaJet Pre-Rinse Spray. AJPR30 base / STANDARD style / BF1 bowl filler / STANDARD gun

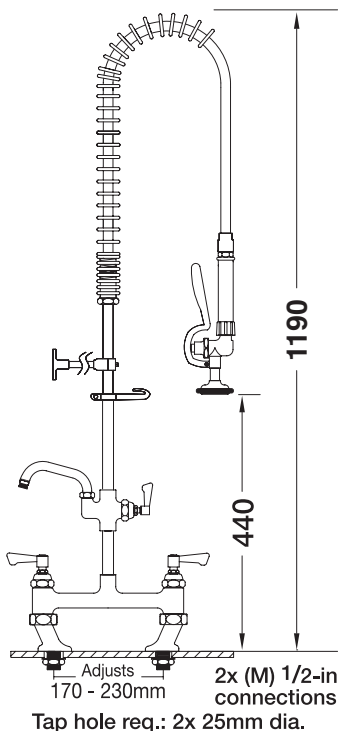
- Manufacturer:** Mechline Developments
- Brand:** AquaJet
- Model Range:** AquaJet 30
- Base:** AJPR30
- Style:** Standard
- Bowl Filler:** 150mm bowl filler (BF1)
- Spray Gun:** Standard
- Pedestal:** Twin
- Mount:** Deck mounted
- Water Feed:** Twin
- Controls:** Lever
- Accreditation:** WRAS

FEATURES & BENEFITS

- A variety of choices to suit each application.
- WRAS approved across the range.
- Pre-assembled, ready to install - saves time on site.
- All assembled models are factory tested up to 6 bar for quality assurance.
- Choice of optional bowl fillers, water dispensing guns and accessories.
- Restraining device available to prevent hose from overstretching into basin, which reduces abuse and helps meet Water Board regulations.
- Super strong, food-grade, high-flow water hose.

TECHNICAL INFO

- Connections: 2x (M) 1/2-inch
- Tap hole req: 2x 25mm
- Flow rates: 7.99 lpm tested at 3 bar pressure.



MAINTENANCE & CLEANING

Cleaning chrome: Do not use abrasive, chlorine or acid-based cleaning products. Avoid contact with concentrated bleach. Clean with soapy water using a cloth or sponge.

Dimensions are in millimeters. If a CAD file is required please visit www.mechline.com.



MECHLINE DEVELOPMENTS LIMITED

Tel: +44 (0)1908 261511 | Email: info@mechline.com | Web: www.mechline.com