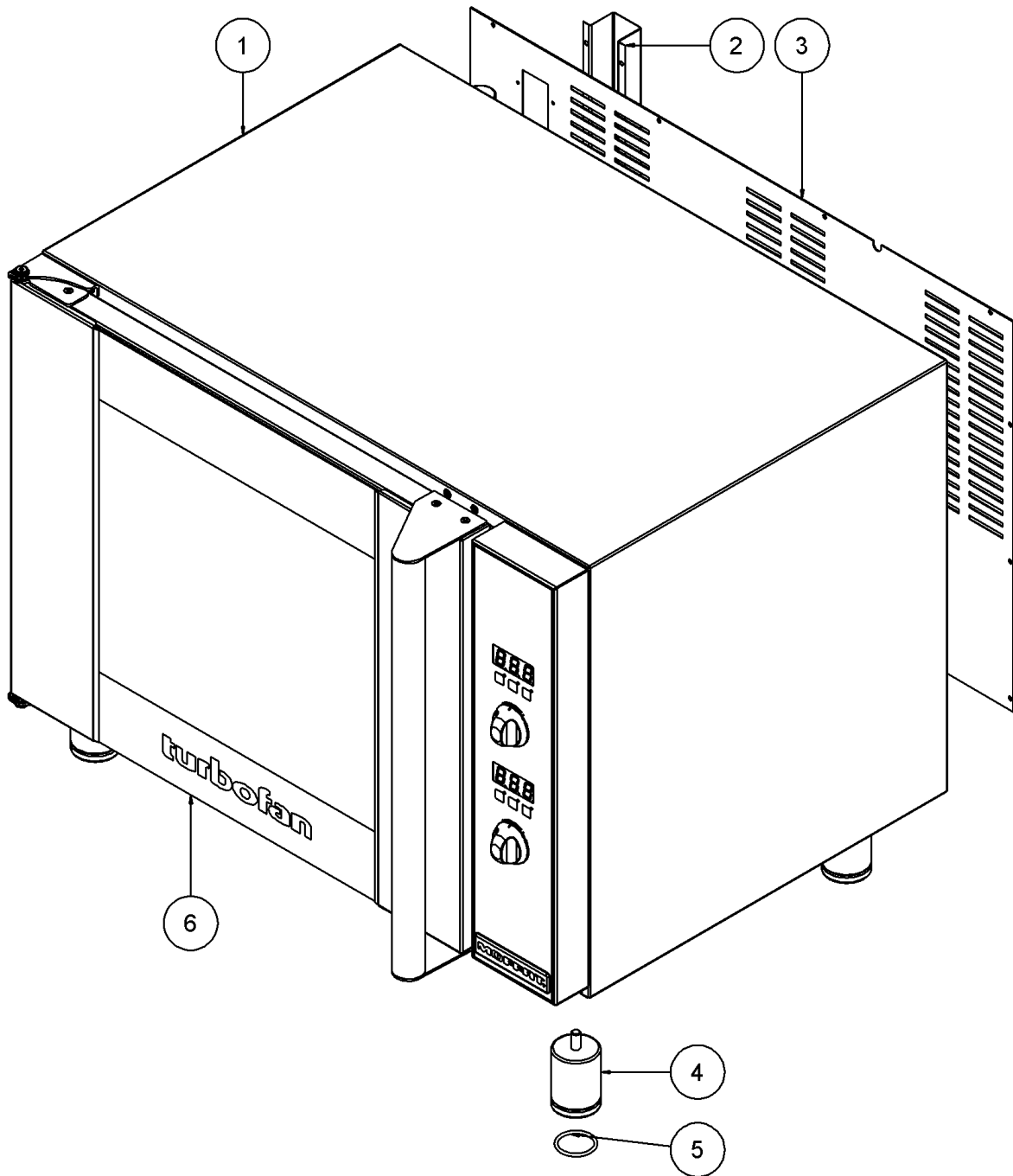


Replacement Parts List

Outer Assembly

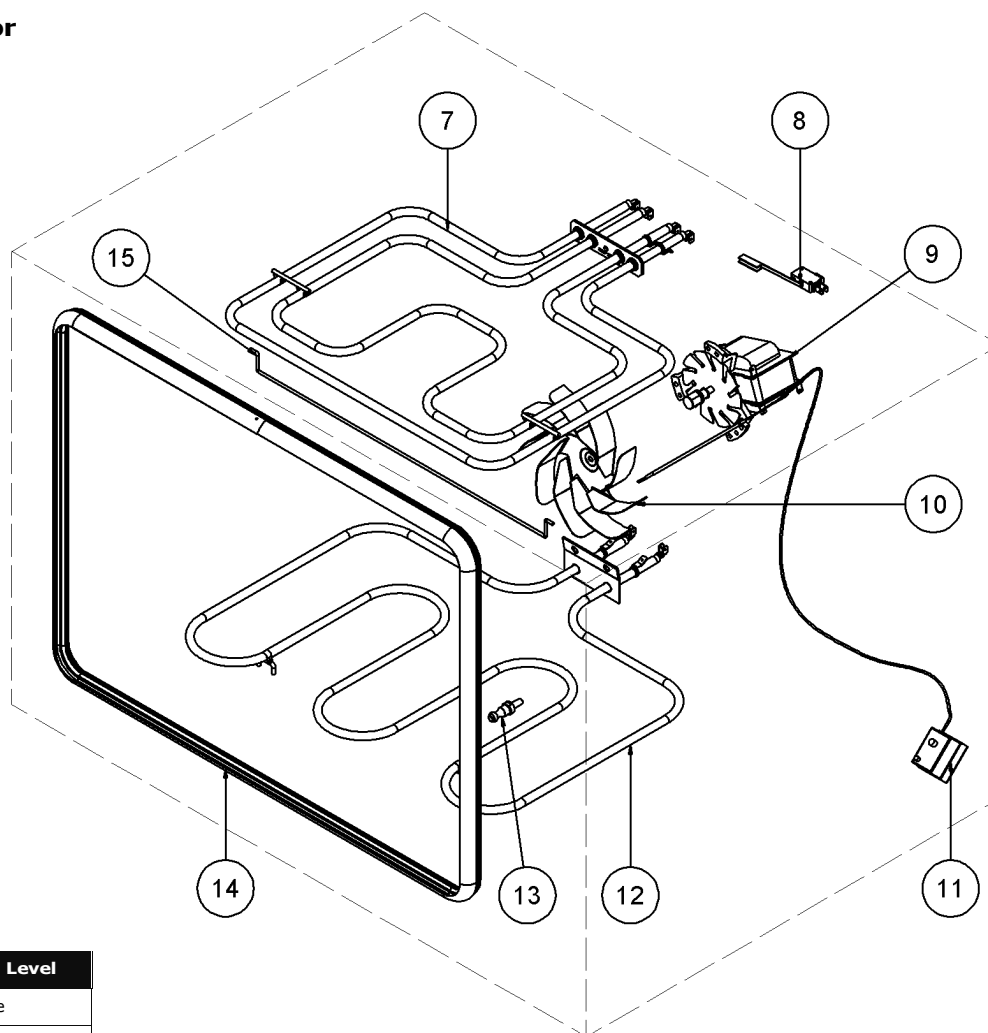


Item	Part No	Description	*RPL
1	233164	WRAPPER E31	D
2	232680	OVEN VENT REAR COVER	D
3	233161	REAR PANEL E31	D
4	232379	ADJUSTABLE FOOT 3" / 76mm	D
5	232380	FOOT O-RING	C
6	234574	DOOR ASSEMBLY E31D (COMPLETE)	C

*Recommended Parts Level	
RPL	Number of units in service
A	1-5
B	5-10
C	10-50
D	50+

Replacement Parts List

Elements & Motor



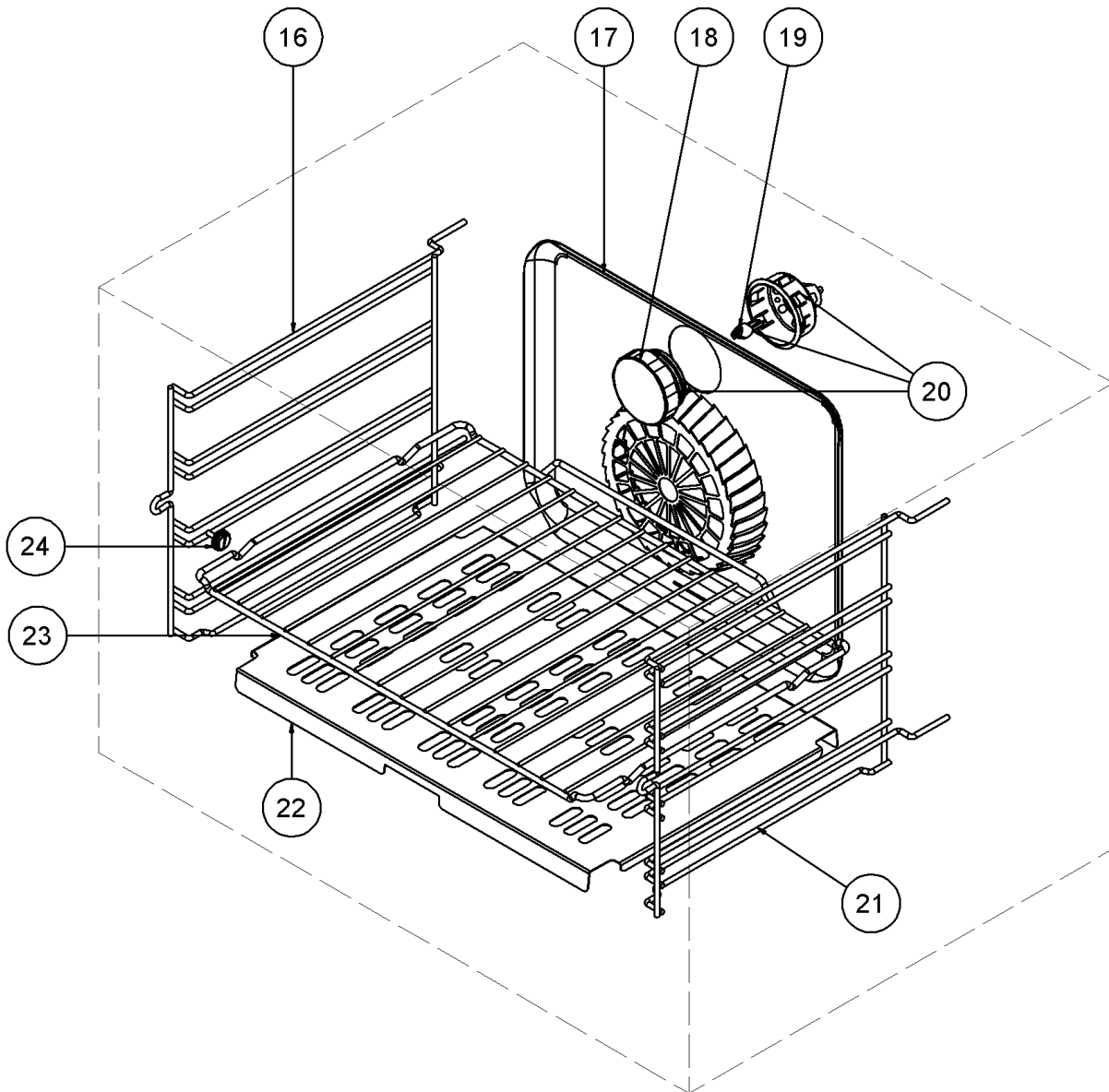
*Recommended Parts Level

RPL	Number of units in service
A	1-5
B	5-10
C	10-50
D	50+

Item	Part No	Description	*RPL
7	234462	OVEN ELEMENT TOP 230-240V - ALL	B
	234463	OVEN ELEMENT TOP 208-220V - US, CAN	B
8	233862	MICROSWITCH	A
	235126	MICROSWITCH RETURN SPRING (NOT SHOWN) (From Lot # 10400001)	B
9	013431K	FAN MOTOR KIT (208 / 240V, 50 / 60HZ)	B
10	013432	FAN	B
11	025400	OVERTEMP THERMOSTAT 360°C / 680°F. (All Other Markets up to Ser No. 749116. UK up to Ser. No. 749300).	A
	233573	OVERTEMP THERMOSTAT CAP (NOT SHOWN). (All Other Markets up to Ser No. 749116. UK up to Ser. No. 749300).	C
	234821	OVERTEMP THERMOSTAT 355°C - 20K. (All Other Markets from Ser No. 749117. UK from Ser. No.749301).	A
12	234202	OVEN ELEMENT BOTTOM 230-240V. ALL	B
	234203	OVEN ELEMENT BOTTON 208-220V. US, CAN	B
13	235277	DOOR ROLLER CATCH STRIKE PIN	A
	235278	STRIKE LOCKING NUT	C
14	234464	DOOR SEAL E31	B
15	234483	ELEMENT SUPPORT E31	D

Replacement Parts List

Oven Racks & Lamps

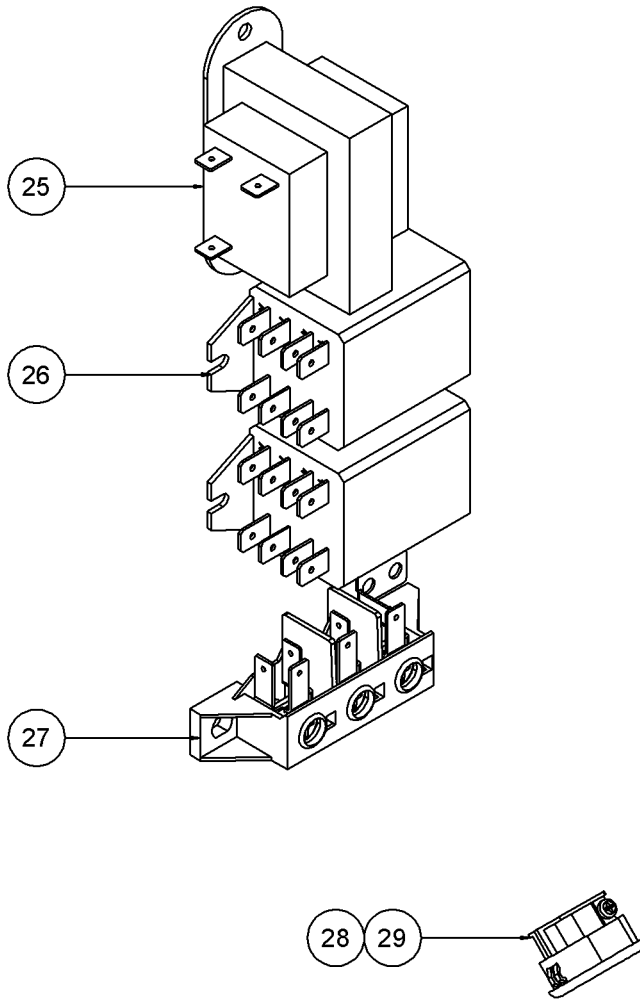


Item	Part No	Description	*RPL
16	234204	SIDE RACK LH E31	D
17	004595	FAN BAFFLE E31	D
18	003002	OVEN LAMP LENS	B
19	231814	LAMP G9/25W 230V HALOGEN	A
20	234048	LAMP ASSEMBLY G9/25W COMPLETE	A
21	234205	SIDE RACK RH E31	D
22	234206	BOTTOM ELEMENT GUARD	D
23	233567	WIRE RACK E31	D
24	233552	THUMBSCREW	B

*Recommended Parts Level	
RPL	Number of units in service
A	1-5
B	5-10
C	10-50
D	50+

Replacement Parts List

Gear Plate

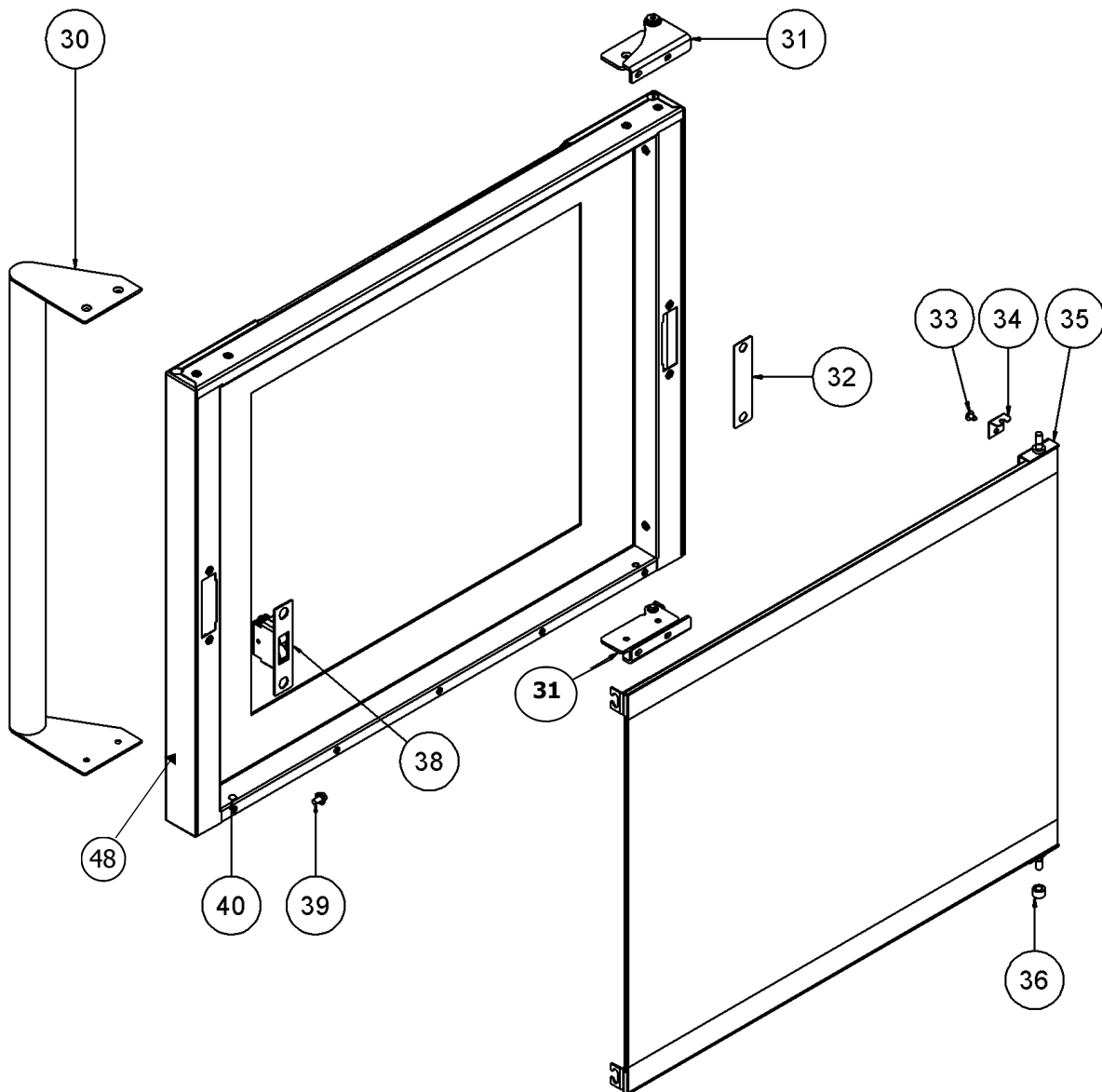


Item	Part No	Description	*RPL
25	234429	TRANSFORMER 208/240V x 12VAC SEC 20VA	B
26	024562	RELAY 25A DPDT	B
27	026160	TERMINAL BLOCK	C
28	233870	CABLE ENTRY CLAMP	D
29	233871	CABLE ENTRY SCREW	D

*Recommended Parts Level	
RPL	Number of units in service
A	1-5
B	5-10
C	10-50
D	50+

Replacement Parts List

Door

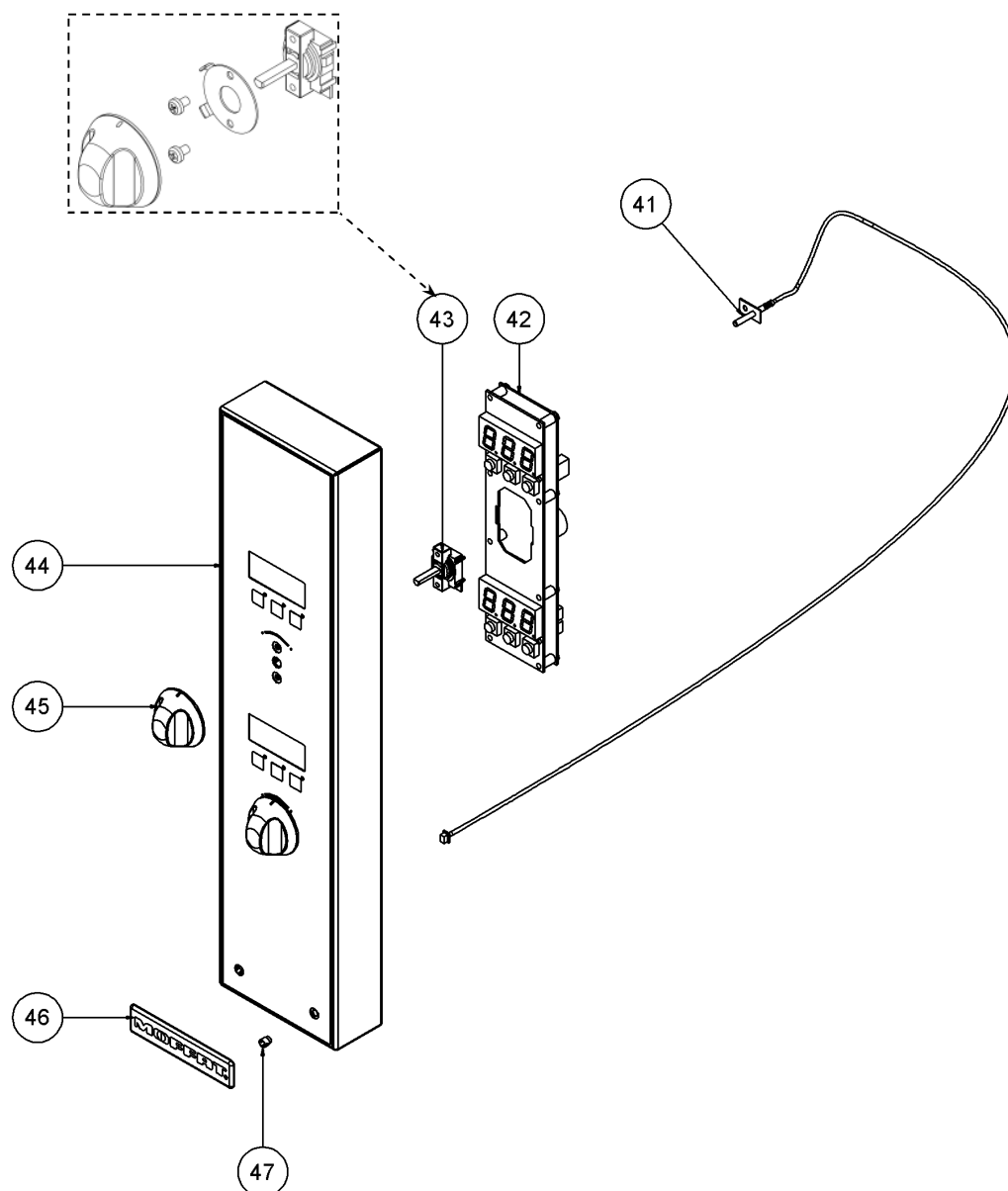


Item	Part No	Description	*RPL
47	234579	DOOR HANDLE E31	D
31	234930	DOOR HINGE KIT (Includes top and bottom hinges)	B
	234752	HINGE PIVOT KIT (Include pivot pin, pivot bush and washer)	B
32	234725	DOOR CATCH BLANKING PLATE	C
33	041045	SCREW 8x3/8" TRUSS HD PHL NP	C
34	234779	INNER GLASS RETAINING CLIP	C
35	234756	DOOR INNER GLASS ASSY E31D	C
36	234767	INNER GLASS PIVOT SPACER	D
38	234580	DOOR ROLLER CATCH	D
39	236019	INNER GLASS LATCHING BUSH	D
40	234835	DOME PLUG	D
48	235276	DOOR OUTER GLASS ASSEMBLY	C

*Recommended Parts Level	
RPL	Number of units in service
A	1-5
B	5-10
C	10-50
D	50+

Replacement Parts List

Controller



Item	Part No	Description	*RPL
41	237447K	OVEN TEMPERATURE PROBE Kit	B
42	236256	DIGITAL CONTROL KIT (D-Series)	B
43	234450K	ENCODER KIT	B
		- Encoder	
		- Knob Stop Plate	
		- Screws M4 x 6Pan HD Phil NP	
		- Knob Index	
44	234436	CONTROL PANEL LAMINATED E31D	D
45	234447	KNOB INDEX	C
46	233865	BADGE MOFFAT	D
	233867	BADGE BLUESEAL UK, CAN	D
47	228132	BADGE CLIP	D

*Recommended Parts Level	
RPL	Number of units in service
A	1-5
B	5-10
C	10-50
D	50+

SK STANDS

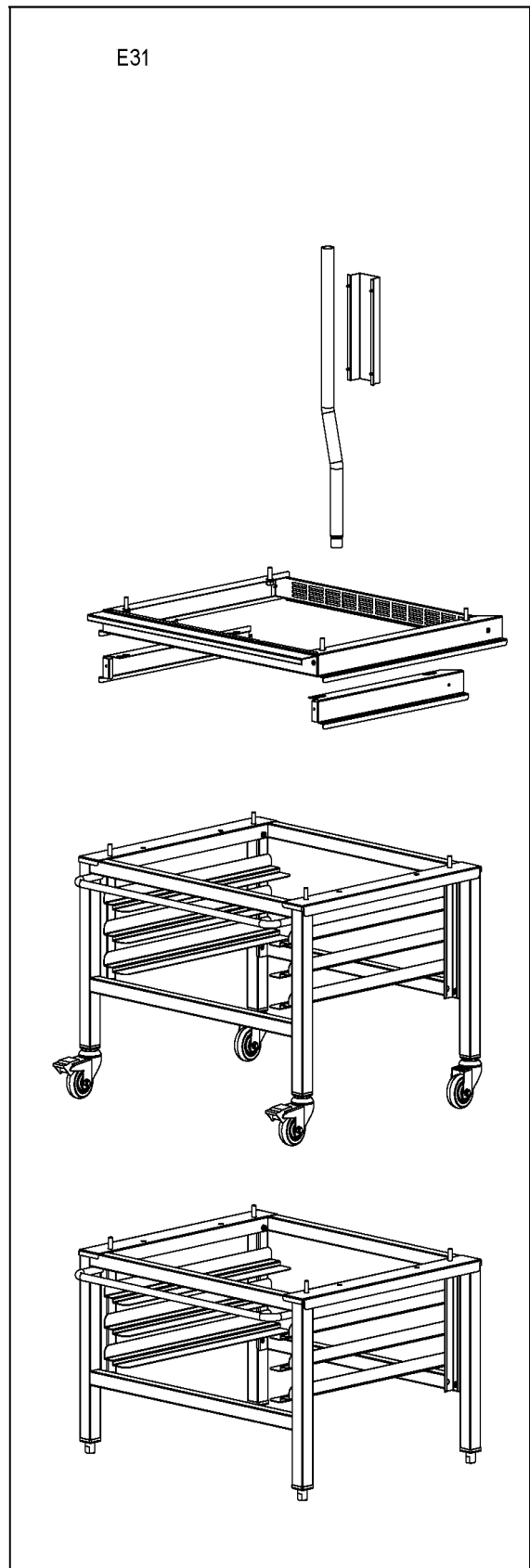


SK2731N — Stand for E31
810mm/32"(W) x 650mm/25½"(D) x 900mm/35½"(H)
Accepts EN 600x400 or GN1/1 pans



SK2731U — Stand for E31
810mm/32"(W) x 650mm/25½"(D) x 900mm/35½"(H)
Accepts US ½ and US full pan

DSK Double Stacking Kits



E31

