



SERVE OVER COUNTERS

MANUAL OF INSTRUCTIONS FOR USE AND INSTALLATION



Foreword

Our compliments on having chosen one of our products, which are the result of technological experience and continuous research in order to obtain a product which is superior in terms of safety, reliability and performance.

This manual contains all the information and advice necessary to operate with maximum safety and efficacy.

Introduction

This publication provides the instructions for use and maintenance and includes the spare parts catalogue.

**MUST BE FOLLOWED RIGOROUSLY.
ONLY ORIGINAL SPARE PARTS MUST BE
USED.**

Technical instructions, drawings, tables and everything else contained in this manual are reserved and therefore cannot be passed on to third parties without written consent from the manufacturers, who are the sole proprietors and reserve the right to introduce any changes deemed suitable without prior notice.

In case of controversy the valid reference text is the italian one.

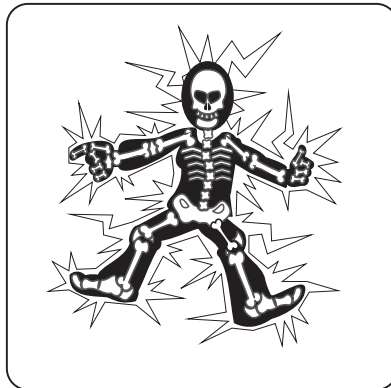


Before starting up the machine read carefully the instructions in the manual for use and maintenance, bearing in mind that the manual is a component of the machine and must be carefully preserved. In the event of loss or damage, ask for a new copy, stating the model and date of purchase.

THE MANUFACTURER IS NOT RESPONSIBLE FOR ACCIDENTS OR RUPTURES DUE TO NON OBSERVATION OF THESE INSTRUCTIONS



For electrical connection use a plug according to safety laws and equipped with safety circuit breaker. Ensure that the voltage and capacity of the power supply are adequate to the power absorbed by the motor.



WARNING!

**DISCONNECT THE POWER SUPPLY BEFORE
CARRYING OUT ANY MAINTENANCE ON
ELECTRICAL PARTS.
CONTACT CAN CAUSE DEATH.**

● GENERAL REGULATIONS

Main characteristics: dimensions, capacity etc. are listed in the pages 23 and marked on the CE-plate.

● CONTROLS

After receiving the apparatus you should check immediately if there are damages caused during the transport.

Unpack the apparatus and make sure that the accessories are enclosed.

In case of damages during the transport make your reservations to the truck driver; within three days you should confirm your reservations with registered mail to the transport company with a copy of the letter to STUDIO 54 or to the authorized resaler. All complaints must be received by us within eight days.

● CHARACTERISTICS

The refrigerators series SHADOW have been projected, constructed and tested for assuring the conservation of beverages and food for a short time .

CONSERVAZIONE PRODOTTI FRESCHI (TN)		
	Temperatura	Durata (settimane)
Carni	0÷+2 °C	1 - 3
Frutta	8÷+15 °C	2 - 4
Latticini	4÷+8 °C	Varia
Vegetali	6÷+10 °C	2 - 6

Defrosting and evaporation of the condensed water which is collected in the basin are completely automatic.

● INSTALLATION

After unpacking the refrigerator, place it in the final position. Please note that the freshest and most ventilated place of the room assures an optimal functioning and a lower energy consumption as the apparatus is less stressed in this case. Check the levelling of the refrigerator and the lining-up of the doors and in case adjust the feet .

Check whether the adjusted temperature on the thermostat corresponds to $\pm 10\%$ according to the thermometer .

● START-UP

Connect the apparatus to the electrical power line (220/50) after having checked the voltage (allowance $\pm 10\%$) and switch it on by the main switch .

● CLEANING AND MAINTENANCE

Wash the inside of the refrigerator with water and neutral detergent. Then dry it carefully and position the slives and shelves according to your needs (at least every six months).

Adjust the thermostat or the control board according to enclosure on the desired working temperature .

Clean periodically the condenser with a brush or a vacuum cleaner after having switched off the electrical contact.

● BAD WORKING

In case of abnormal rising of inside temperature of the apparatus, check first of all whether:

-the plug is fixed well on the socket

-there are voltage variation of $\pm 10\%$.

In case of bad working after having checked the above mentioned points, please, call your supplier.

Tell him the type of your refrigerator and its serial number: you will find them on the data board of each apparatus.

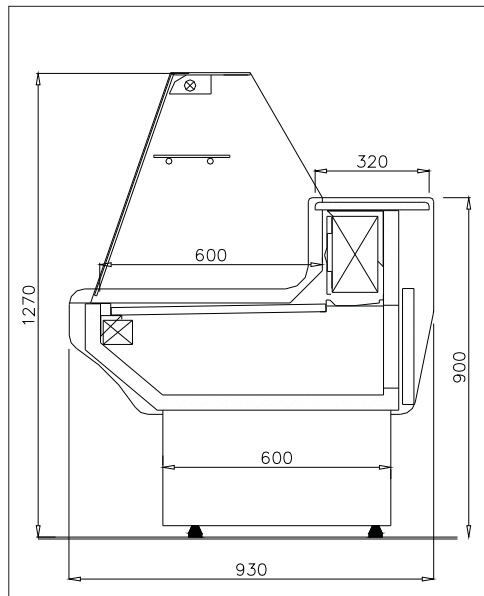
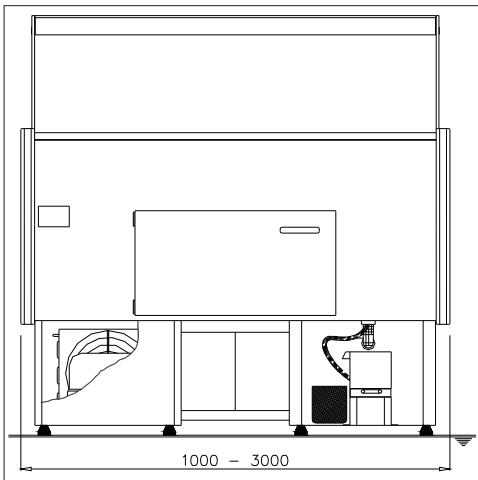
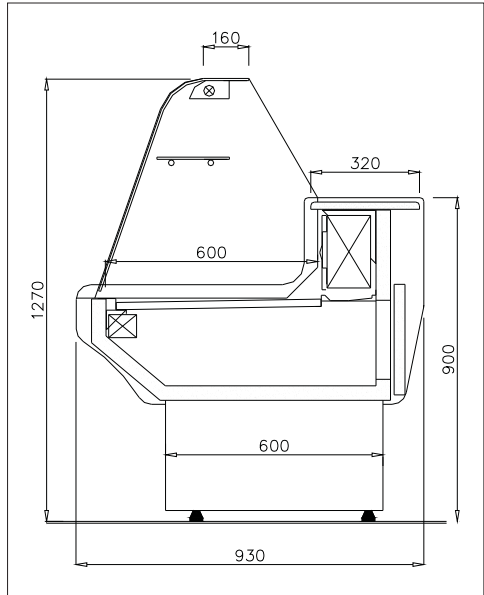
● IMPORTANT

The guarantee must be filled in and sent to the producer company within eight days after the start-up.

● GUARANTEE PERIOD

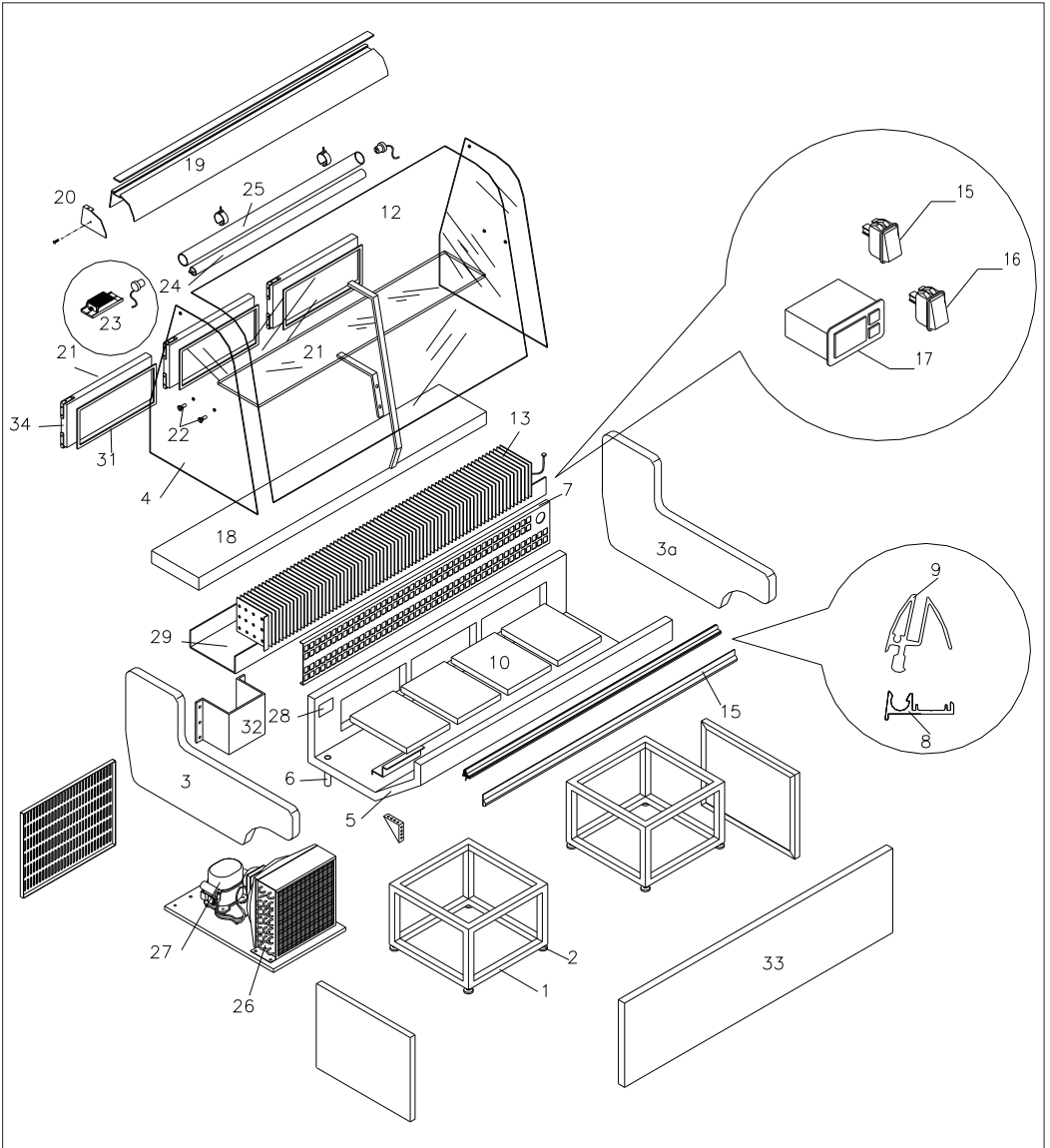
The apparatus is covered by a guarantee of 12 months after the purchase date (electrical parts excluded). Spare parts which have to be replaced under guarantee will be delivered ex-works.

In case of material deliveries under guarantee/replacement, the same material will be forwarded only after returning of the defective one which is covered by guarantee.



SHADOW VETRI CURVI

SHADOW CURVED GLASS



Componenti vetrina - Eléments vitrine - Glass elements - Vitrineelemente

N°.	Descrizione	Description	Description	Beschreibung
1	Telaio base	Frame	Châssis de base	Grundrahmen
2	Piedino registrabile	Adjustable foot	Pied réglable	Einstellbarer Fuss
3	Fianco laterale	Side Strip	Panneau latéral	Seitenblech
4	Fianco in vetro	Glass side	Panneau en verre	Glassblech
5	Vasca schiumata	Foaminsulated basin	Bac isolé	Isolierendes Becken
6	Scarico condensa	Condensate discharge	Décharge condense	Dampfwasserauslass
7	Difesa evaporatore	Evaporator protection	Protection évaporateur	Verdampferschutz
8	Profilo base	Support profile	Profil de base	Grundprofil
9	Profilo ruotante	Mobile profile	Profil roulant	Umlaufprofil
10	Profilo copri resistenza	Resistance cover profile	Profil couvre-résistance	Widerstandsdeckerprofil
11	Cavo caldo	Power cable	Câble chaud	Warmes Kabel
12	Vetro frontale	Front glass	Vitre frontale	Vorderglass
13	Evaporatore	Evaporator	Évaporateur	Verdampfer
14	Valvola termostatica	Thermostatic valve	Soupape thermostatique	Thermostatisches Ventil
15	Interruttore generale	Main switch	Interrupteur général	Hauptschalter
16	Interruttore luci	Lights switch	Interrupteur des lumières	Lichtenschalter
17	Centralina	unit	Distributeur	Einheit
18	Piano lavoro	Flat surface	Plan de travail	Werkbrett
19	Plafoniera singola	Roof lamp	Plafonnier	Deckenlampe
20	Testatina plafoniera	Roof lamp head	Tête plafonnier	Deckenlampekopf
21	Mensola intermedia	Intermediate bracket	Étagère de milieu	Mittlere Konsole
22	Vite fissaggio mensola	Screw for bracket fixing	Vis pour fixer étagère	Konsolebefestigungsschraube
23	Precablaggio	Pre-cable lay up	Précâblage	Vorkabelverbindung
24	Neon	Neon	Néon	Neon
25	Copertura neon	Neon cover	Couvre-néon	Neondecker
26	Condensatore	Condenser	Condensateur	Kondensator
27	Compressore	Compressor	Compresseur	Kompressor
28	Etichetta CE	CE label	Étiquette CE	CE Etikette
29	Gocciolatoio	Water drip	Larmier	Tropfblech
30	Mensola superiore	Superior bracket	Étagère supérieure	Obere Konsole
31	Guarnizione magnetica	Magnetic gasket	Garniture magnétique	Magnetische Dichtung
32	Supporto gocciolatoio	Water drip support	Support du larmier	Tropfblechshalter
33	Copertura anteriore	Front pannel	Panneau ant.	Front pannel
34	Porta	Door	Porte	Tur

NOTE
NOTES
