

NEO® 140 Undercounter Ice Machines

Models

- UDP0140A
- UYP0140A



U-140

- Power
- Delay
- Clean
- Full Bin
- Service

- Up to 132 lbs. (60 kg) daily ice production
- Only 26" (66.04 cm) wide, 28.50" (72.4 cm) deep, and 38.50" (97.8 cm) high on 6" (15.24 cm) legs
- Cabinet volume 3.037 ft³ (0.086 m³)
- 90 lb. (40.0 Kg) ice storage capacity*

* Application capacity based on: 90% volume x 33lbs/ft³ average density of ice.

NEO undercounter ice machines are designed to provide ice right where you need it – within reach. Improvements in **Performance, Intelligence and Convenience** make your ice machine easy to own and less expensive to operate.

Performance – NEO produces more ice than ever before while using less water and energy. The storage bin provides industry leading capacity.

Intelligence – NEO provides feedback with full bin and service indicators. Delay function allows you to pause your machine for slow periods or days when you're closed.

Convenience – NEO offers a forward-sliding storage bin for easy access to refrigeration components without having to move the entire ice machine. Smooth, sealed food-zone with removable water trough, distribution tube, and damper door for faster cleaning. AlphaSan added to key internal components.

Available LuminIce II Virus and Bacteria Inhibitor- Controls viruses, bacteria, mold and yeast within the foodzone to keep the machine clean longer.

Specifications

BTU Per Hour:

UP140: 2,150 (average)
2,600 (peak)

Refrigerant: R290

Operating Limits:

- Ambient Temperature Range: 40° to 110°F (4.4° to 43.3°C)
- Water Temperature Range: 45° to 90°F (4.4° to 32.2°C)
- Water Pressure Ice Maker Water In:
Min. 20 psi (137.9 kPa)
Max. 80 psi (551.1 kPa)



Ice Shape



Half Dice
3/8" x 1 1/8" x 7/8"
(.95 x 2.86 x 2.22 cm)



Dice
7/8" x 7/8" x 7/8"
(2.22 x 2.22 x 2.22 cm)

Ice Machine Electric

230/50/1

Ice machines are factory pre-wired with a 6' (180 cm) power cord only, no plug is supplied.

Total Amps:

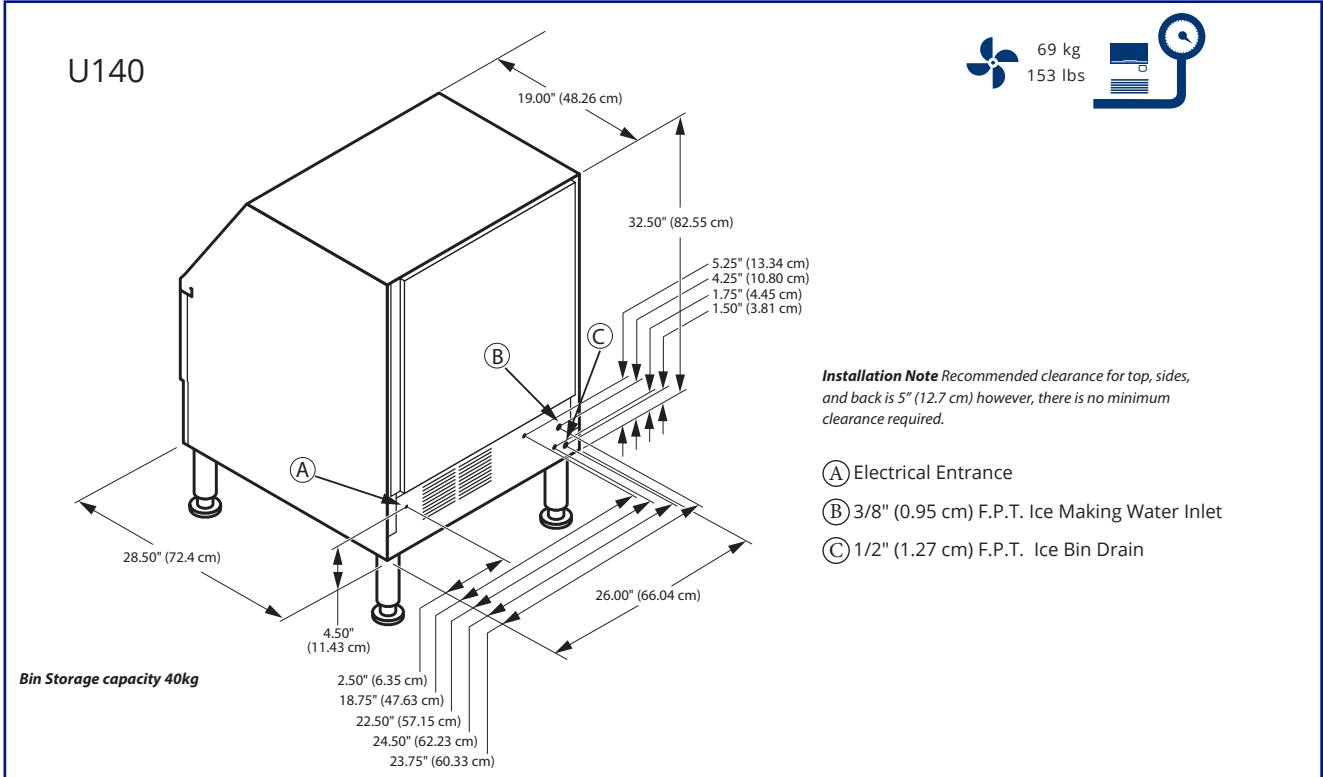
Air-cooled: 2.5 amps

Maximum fuse size:

Air-cooled: 15 amps

HACR-type circuit breakers can be used in place of fuses.





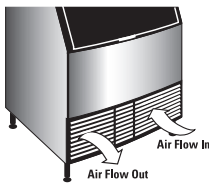
Specifications

Model	Ice Shape	Ice Production 24 Hours				Power kWh/ 100 lbs/45.4kg @ 32°/21°C	Potable water usage Litres per 45.4kg Ice @ 32°/21°C
		70°Air/50°F Water 21°Air/10°C Water		90°Air/70°F Water 32°Air/21°C Water			
UDP0140A	dice	132 lbs	60 kg	101 lbs	46 kg	7.13	61 L
UYP0140A	half-dice	132 lbs	60 kg	108 lbs	49 kg	6.84	61.7 L

Standard 6" / 15.24 cm adjustable flange foot - gray painted legs included.
Standard plastic NEO ice scoop included.

WRAS models not NSF listed.

Air Flow



Air in right, air out left, no side vents. Great for installation under countertops and next to other equipment.

Removable Bin



Air Filter



Simple, tool-free removal for quick access during routine cleaning and maintenance.

Manitowoc reserves the right to make changes to the design or specifications without prior notice.