

BUFFALO Gas Equipment Stand

Installation and Operation Instructions

Model: DH525

IMPORTANT FOR FUTURE REFERENCE

Please retain this manual for the life of the equipment. For Warranty Service and/or parts, this information is Required.

Model Number

Serial Number

Date Purchased



WARNING: Improper installation, adjustment, alteration, service or maintenance can cause property damage, injury, or death. Read the installation operating and maintenance instructions thoroughly before installing, or servicing this equipment.



Nisbets PLC

Fourth Way, Avonmouth, Bristol, BS11 8TB,

Unit 9003, Blarney Business Park, Blarney, Co. Cork

Introduction

We are confident that you will be delighted with your BUFFALO Gas Equipment Stand.

To ensure you receive the utmost benefit from your new Gas Equipment Stand, there are two important things you can do.

A colour version of this manual is available online

Firstly:

Please read the instruction book carefully and follow the directions given. The time taken will be well spent.

Secondly:

If you are unsure of any aspect of the installation, instructions or performance of your appliance, contact your dealer promptly.

WARNING:

IMPROPER INSTALLATION, ADJUSTMENT, ALTERATION, SERVICE OR MAINTENANCE CAN CAUSE PROPERTY DAMAGE, INJURY OR DEATH.

READ THE INSTALLATION, OPERATING AND MAINTENANCE INSTRUCTIONS THOROUGHLY BEFORE INSTALLING OR SERVICING THIS APPLIANCE.

Specifications

General

Commercial, heavy duty, gas equipment

Pack Contents

The following is included:

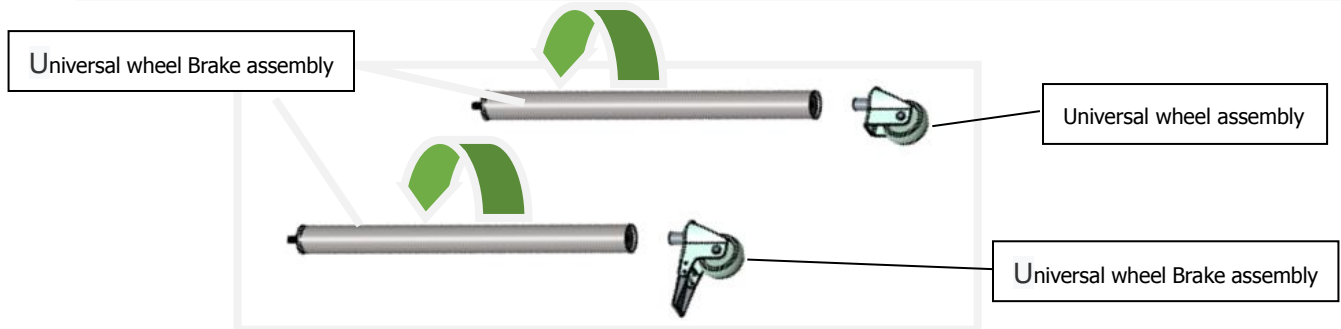
NO.	DESCRIPTION	CODE	QTY
1	Support tube Assembly	06.05.1473547	4
2	Base plate Assembly	06.05.1473209	1
3	Universal Wheel	01.02.1005698	2
4	Universal Wheel(brake)	01.02.1005876	2
5	Stopper Screw	66.01.1800288	4
6	Hexagon Socket Screw Keys	66.99.1845007	1
7	Instruction Manual	04.05.1330671	1

Installation

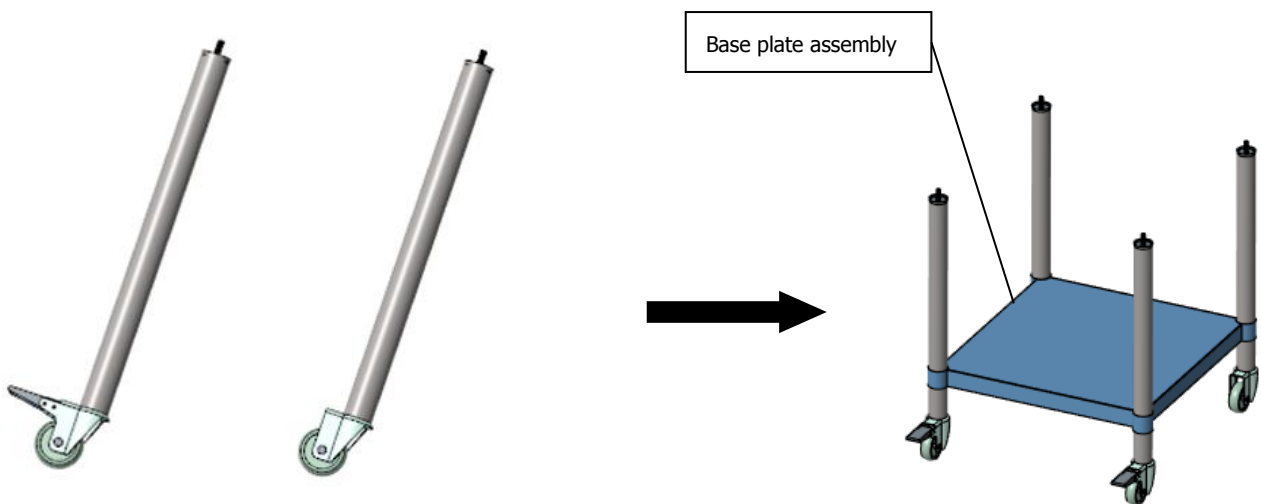
Installation Requirements

Remove the Stand from the packaging, ensuring that all protective packaging, plastic and residues are cleaned from its surfaces. Layout all components of the stand on the floor ready for assembly. You will need a spanner to assist in the assembly process

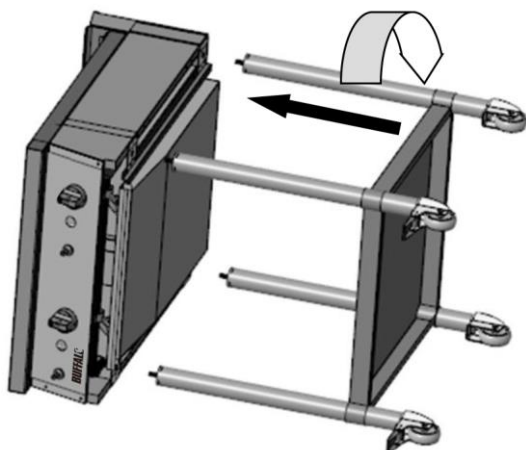
Step 1 – Universal Wheel and Universal wheel brake into the support tube to form the support tube bracket assembly.



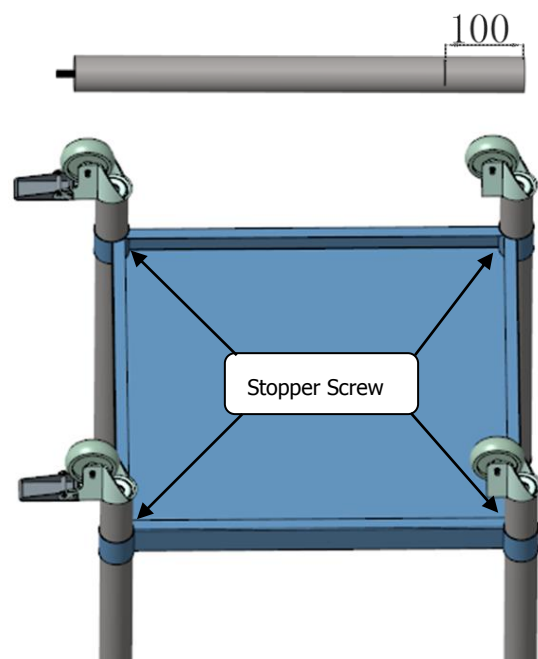
Step 2 – Slot the stand support assembly and castors stand assembly into the stand support.



Step 3 – Disconnect, up-turn and support your gas equipment, taking care as items may be heavy. Screw the stand support assembly and castors stand assembly into the gas equipment. (Remove the cast iron to reduce the weight of the chargrill before moving)



Step 4 – Fix and tighten the screws. (The 100 reference height line is printed on the tube)



Step 5 – Locate the stand into required position, and adjust the adjustable feet into a level position.



<http://www.buffalo-appliances.com/> 

DH525 ML_A4_V1_Rev 0_20220310