



Project _____

Item # _____

Quantity _____

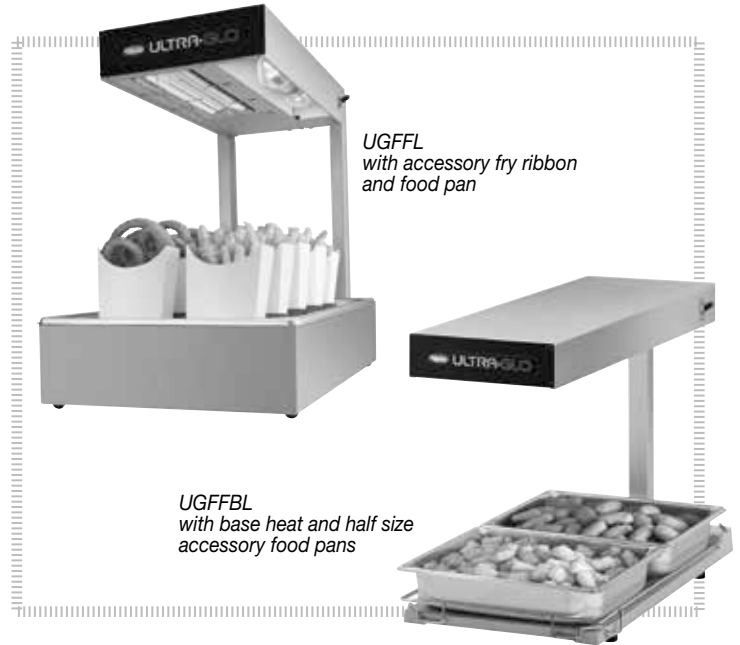
Ultra-Glo® Portable Foodwarmers

Models: UGFF, UGFFL, UGFFB, UGFFBL

Hatco Ultra-Glo Portable Foodwarmers keep food hot at kitchen work areas, waitress pickup stations or customer serving points. Available in models and sizes to meet every food warming need.

Standard features

- Ceramic heating elements provide more distance between the heat source and the holding pan
- The distance, combined with the compact element housing, makes it easier to access the product while maintaining proper food temperatures
- Models include heat above the food, with optional base heat
- Hatco can custom design portable foodwarmers to meet customer specifications or to fit an unusual situation
- UGFF and UGFFL include a pan skirt for 12 x 20 pans
- Factory pre-wired with a 6' (1829 mm) cord and plug
- Ceramic heating elements guaranteed against burnout for one year



Options (available at time of purchase only)

- Designer Colors (One color per unit, heated base is not powdercoated)
 - Warm Red Black Gray Granite White Granite
 - Navy Blue Hunter Green Antique Copper
- Gloss Finishes (One color per unit, heated base is not powdercoated)
 - Gleaming Gold Glossy Gray Bold Black Radiant Red
 - Brilliant Blue
- Halogen Bulb

Accessories

- 5 Pleat Hardcoated French Fry Box Ribbon
- 8 Pleat Hardcoated French Fry Bag Ribbon
- Food Holding Pans
- Wire Trivets



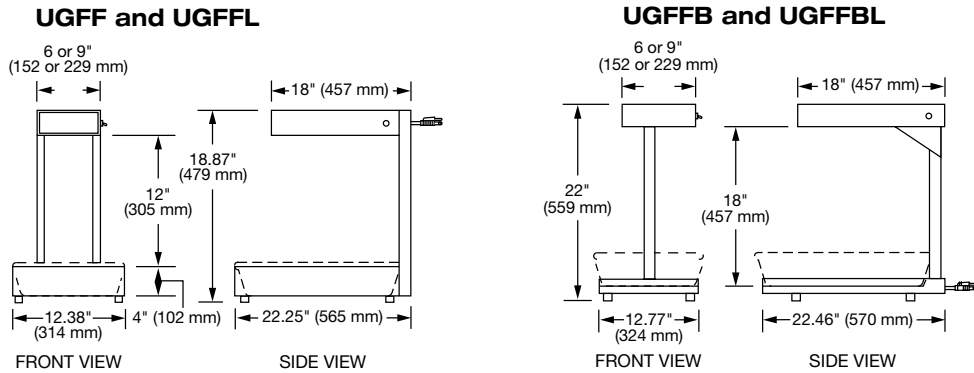
HATCO CORPORATION | P.O. Box 340500 Milwaukee, WI 53234-0500 U.S.A.

(800) 558-0607 | (414) 671-6350 | www.hatcocorp.com | equipsales@hatcocorp.com | intl@hatcocorp.com



Ultra-Glo® Portable Foodwarmers

Models: UGFF, UGFFL, UGFFB, UGFFBL



SPECIFICATIONS Ultra-Glo® Portable Foodwarmers

The shaded areas contain electrical information for International models only

| Model | Dimensions (Width x Depth x Height) | Volts | Phase | Watts | Amps | Plug | Ship Weight* |
|--------|---|--------------|--------|-----------|---------|----------------|-----------------|
| UGFF | 12.38" x 22.25" x 18.87" (314 x 565 x 479 mm) | 100 | Single | 625 | 6.3 | NEMA 5-15P | 15 lbs. (7 kg) |
| | | 120 | | 750 | 6.3 | NEMA 5-15P | |
| | | 220 | | 630 | 2.8 | CEE 7/7 Schuko | |
| | | 240 | | 750 | 3.1 | BS-1363 | |
| | | 220-230 (CE) | | 630-689 | 2.9-3.0 | CEE 7/7 Schuko | |
| | | 230-240 (CE) | | 689-750 | 3.0-3.1 | BS-1363 | |
| UGFFL | 12.38" x 22.25" x 18.87" (314 x 565 x 479 mm) | 100 | Single | 708 | 7.1 | NEMA 5-15P | 19 lbs. (9 kg) |
| | | 120 | | 870 | 7.3 | NEMA 5-15P | |
| | | 220 | | 730 | 3.3 | CEE 7/7 Schuko | |
| | | 240 | | 870 | 3.6 | BS-1363 | |
| | | 220-230 (CE) | | 730-799 | 3.3-3.5 | CEE 7/7 Schuko | |
| | | 230-240 (CE) | | 799-870 | 3.5-3.6 | BS-1363 | |
| UGFFB | 12.77" x 22.46" x 22" (324 x 570 x 559 mm) | 100 | Single | 875 | 8.8 | NEMA 5-20P | 26 lbs. (12 kg) |
| | | 120 | | 1000 | 8.3 | NEMA 5-15P | |
| | | 220 | | 840 | 3.8 | CEE 7/7 Schuko | |
| | | 240 | | 1000 | 4.2 | BS-1363 | |
| | | 220-230 (CE) | | 840-919 | 3.8-4.0 | CEE 7/7 Schuko | |
| | | 230-240 (CE) | | 919-1000 | 4.0-4.2 | BS-1363 | |
| UGFFBL | 12.77" x 22.46" x 22" (324 x 570 x 559 mm) | 100 | Single | 959 | 9.6 | NEMA 5-15P | 31 lbs. (14 kg) |
| | | 120 | | 1120 | 9.3 | NEMA 5-15P | |
| | | 220 | | 940 | 4.3 | CEE 7/7 Schuko | |
| | | 240 | | 1120 | 4.7 | BS-1363 | |
| | | 220-230 (CE) | | 940-1029 | 4.3-4.5 | CEE 7/7 Schuko | |
| | | 230-240 (CE) | | 1029-1120 | 4.5-4.7 | BS-1363 | |

*Shipping weight includes packaging.

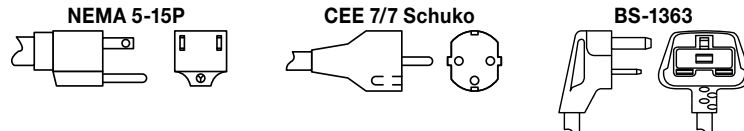
Note: Models with "L" contain two incandescent lights. The housing is 9" (229 mm) wide versus 6" (152 mm) without lights.

Note: Models with "B" include a thermostatically pre-set heated base.

CORD LOCATION

UGFF, UGFFL: Back, upper middle.
UGFFB, UGFFBL: Back, lower middle.

PLUG CONFIGURATIONS



PRODUCT SPECS Portable Foodwarmer

The Portable Foodwarmer shall be an Ultra-Glo®, manufactured by the Hatco Corporation, Milwaukee, WI 53234 U.S.A.

The Foodwarmer shall be an Ultra-Glo Model ... , rated at ... watts, ... volts, single phase and be ... inches (millimeters) in overall width.

The Ultra-Glo shall consist of an aluminum housing and include a ceramic heating element and a 6' (1829 mm) cord with plug attached.

Accessories shall include food holding pans, trivets, and fry ribbons.

Comes with 24/7 parts and service assistance (U.S. and Canada only).

HATCO CORPORATION | P.O. Box 340500 Milwaukee, WI 53234-0500 U.S.A.

(800) 558-0607 | (414) 671-6350 | www.hatcocorp.com | equipsales@hatcocorp.com | intl@hatcocorp.com