



Project _____
 Item # _____
 Quantity _____

Glo-Ray® Round Heated Stone* Shelves

Models: GRSSR-16, -18, -20
 GRSSR16-, GRSSR18-, GRSSR20-DL77516
 (with Decorative Lamp)

Hatco's Glo-Ray® Portable Heated Stone* Shelves are made of foodsafe materials and come in three Decorative stone colors. The GRSSR16-, GRSSR18-, GRSSR20-DL77516 lamp shade and shepard's hook are available in seven *Designer* colors. These unique warmers will safely hold food hot while blending in with your décor and are ideal for buffet lines or as hors d'oeuvre displays.

Standard features

- Approved food-safe materials
- Adjustable thermostatically-controlled heated base with lighted rocker switch
- Blanket-type element creates uniform heat across the entire Swanstone® surface
- Temperature range of 100-200°F (38°-93°C)
- GRSSR16-, GRSSR18-, GRSSR20-DL77516 include one 250 watt, clear, uncoated bulb
- 6' (1829 mm) cord with plug attached
- Cord location is back side on base



Options (available at time of purchase only)

Round Swanstone® Shelf - Night Sky is standard†
 Gray Granite Bermuda Sand

Designer Colors for Base (Base and Post for GRSSR16-, GRSSR18-, GRSSR20-DL77516) - Black is standard†
 Warm Red Gray Granite White Granite Navy Blue
 Hunter Green Antique Copper

Designer Colors for GRSSR16-, GRSSR18-, GRSSR20-DL77516 Decorative Lamp - Black is standard†
 Warm Red Gray Granite White Granite Navy Blue
 Hunter Green Antique Copper

Risers

3" high (76 mm)
 16" Dia (406 mm) 18" Dia (457 mm) 20" Dia (508 mm)

5" high (127 mm)
 16" Dia (406 mm) 18" Dia (457 mm) 20" Dia (508 mm)

Risers in *Designer* Colors†- (GRSSR models only)

Warm Red Gray Granite White Granite Navy Blue
 Hunter Green Antique Copper Stainless steel Black

Accessories (available after purchase)

Curved Swanstone® Cutting Board with Juice Groove** for:

GRSSR-16 or GRSSR16-DL77516
 GRSSR-18 or GRSSR18-DL77516
 GRSSR-20 or GRSSR20-DL77516
 Gray Granite Bermuda Sand Night Sky

Bulbs (250 W only)

Clear Coated (120V only) Red Coated (120V only)
 Red Uncoated (120V only)

† Non-standard colors are non-returnable

* Simulated Stone

** All cutting boards are non-returnable



HATCO CORPORATION | P.O. Box 340500 Milwaukee, WI 53234-0500 U.S.A.

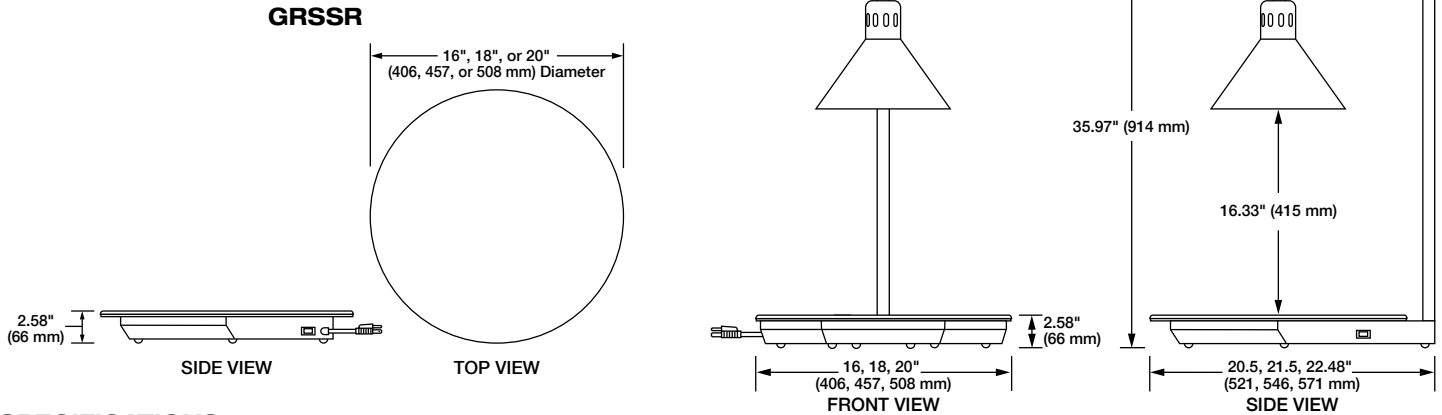
(800) 558-0607 | (414) 671-6350 | www.hatcocorp.com | equipsales@hatcocorp.com | intl@hatcocorp.com



Glo-Ray® Round Heated Stone* Shelves

Models: GRSSR-16, -18, -20 and GRSSR16-, GRSSR18-, GRSSR20-DL77516

GRSSR16-^Δ, GRSSR18-^Δ, GRSSR20-DL77516 (shown)



SPECIFICATIONS Heated Stone* Shelves

■ The shaded areas contain electrical information for International models only

Model	Dimensions (Diameter x Height)	Volts	Phase	Watts	Amps	Plug	Ship Weight
GRSSR-16	16" x 2.58" (406 x 66 mm)	120	Single	250	2.1	NEMA 5-15P	14 lbs. (7 kg)
		100	Single	180	1.8	NEMA 5-15P	
		220-230 (CE)	Single	190-220	0.8-0.9	CEE 7/7 Schuko	14 lbs. (7 kg)
		230-240 (CE)	Single	220-250	0.9-1.0	BS-1363	
GRSSR-18	18" x 2.58" (457 x 66 mm)	120	Single	325	2.7	NEMA 5-15P	16 lbs. (8 kg)
		100	Single	230	2.3	NEMA 5-15P	16 lbs. (8 kg)
		220-230 (CE)	Single	265-295	1.2-1.3	CEE 7/7 Schuko	
		230-240 (CE)	Single	295-325	1.3-1.4	BS-1363	
GRSSR-20	20" x 2.58" (508 x 66 mm)	120	Single	400	3.3	NEMA 5-15P	18 lbs. (9 kg)
		100	Single	270	2.7	NEMA 5-15P	18 lbs. (9 kg)
		220-230 (CE)	Single	330-370	1.5-1.6	CEE 7/7 Schuko	
		230-240 (CE)	Single	370-400	1.6-1.7	BS-1363	

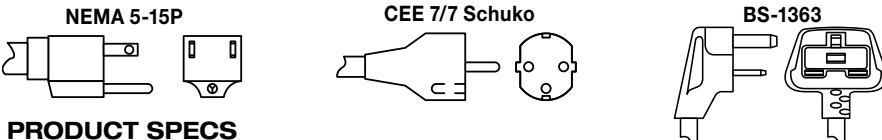
Round Heated Stone* Shelf with Decorative Lamp

Model	Dimensions (W x Depth x H)	Volts	Phase	Total Watts	Total Amps	Plug	Ship Weight
GRSSR16-DL77516 ^Δ	16" x 20.5" x 35.97" (406 x 521 x 914 mm)	120	Single	500	4.2	NEMA 5-15P	27 lbs. (13 kg)
GRSSR18-DL77516 ^Δ	18" x 21.5" x 35.97" (457 x 546 x 914 mm)	120	Single	575	4.8	NEMA 5-15P	30 lbs. (14 kg)
GRSSR20-DL77516	20" x 22.48" x 35.97" (508 x 571 x 914 mm)	120	Single	650	5.4	NEMA 5-15P	32 lbs. (15 kg)
		100	Single	450	4.5	NEMA 5-15P	32 lbs. (15 kg)
		220-230 (CE)	Single	550-600	2.5-2.6	CEE 7/7 Schuko	
		230-240 (CE)	Single	600-650	2.6-2.7	BS-1363	

* Simulated Stone

^Δ The 16" (406 mm) and 18" (457 mm) base models have the switch and dial on the opposite side than the 20" (508 mm) base model.

PLUG CONFIGURATIONS



PRODUCT SPECS Round Heated Stone Shelf

The Heated Stone Shelf shall be a Glo-Ray® Model ... as manufactured by the Hatco Corporation, Milwaukee, WI 53234 U.S.A.

The Heated Stone Shelf shall be rated at ... watts, ... volts, and ... inches (millimeters) in overall width. It shall consist of food-safe material, thermostatically-controlled heated base, and a 6' (1829 mm) cord with plug attached.

The Lamp shall be ... inches (millimeters in overall length and be ... inches (millimeters away from the shelf. It shall consist of a powdercoated vented lamp shade with heat bulb and mounting.

All Hatco Blanket heating elements warranted against burnout for one year (U.S. and Canada only).

HATCO CORPORATION | P.O. Box 340500 Milwaukee, WI 53234-0500 U.S.A.

(800) 558-0607 | (414) 671-6350 | www.hatcocorp.com | equipmentsales@hatcocorp.com | intl@hatcocorp.com