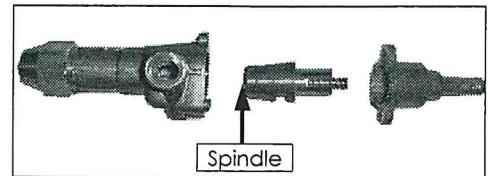
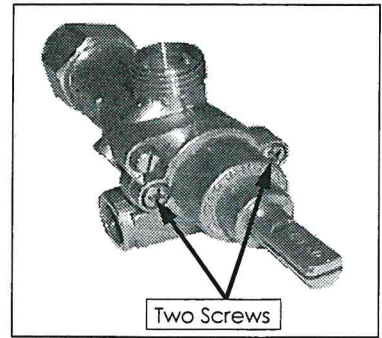


Gas Control Valve Re-Greasing

The gas control valve should be dismantled and greased every 6 months to ensure the correct operation of the gas control valve.

To carry out this operation;-

1. Remove the gas control knobs from the gas tap spindles by pulling the knobs away from the control panel.
2. Remove the crumb / drip tray from the appliance.
3. Remove the two screws on the underside of the control panel, securing the control panel to the hob.
4. Remove the control panel from the front of the appliance.
5. Remove the 2 screws holding shaft plate to gas control body and remove control shaft and plate. Note orientation of shaft for correct re-assembly.
6. Using needle nose pliers or similar, pull out gas control spindle, again noting its orientation.
7. Apply a suitable high temperature gas cock grease or lubricant such as ROCOL - A.S.P (Anti scuffing paste) / Dry Moly Paste to the outside of spindle.
8. Replace spindle and re-assemble the gas control in reverse order.
9. Refit the control panel to the appliance and secure with 2 screws.
10. Refit the knobs to the gas control valve spindles.



Gas Conversion Procedure

CAUTION:

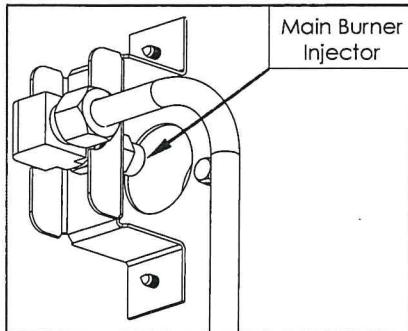
Ensure that the Unit is isolated from the gas supply before commencing servicing.

NOTE:

- These conversions should only be carried out by qualified persons. All connections must be checked for leaks before re-commissioning the appliance.
- For all the following conversion instructions, the side panels have to be removed (Remove the two screws at the bottom of each side panel).
- All conversion details apply to both L/Hand and R/Hand burners.
- For all relevant gas specifications refer to the table at the end of this section.

Main Burner Injectors

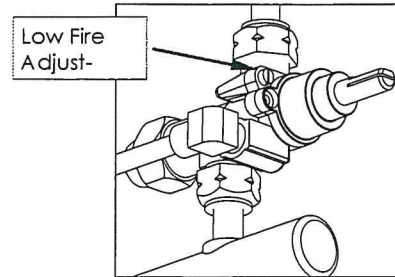
1. Ensure that the gas supply has been turned 'Off'.
2. Unscrew the main burner injectors (1/2" A/F).



3. Determine the correct injector sizes for the corresponding gas type from the rating plate affixed to the right hand side panel front bottom corner.
4. Replace with the correct size injectors.

Low Fire Adjustment

1. Remove the gas control knobs from the front of the unit.
2. Remove the 2 front control panels by removing the two screws (per panel) located at the bottom of each panel.
3. Set the burner low fire adjustment. The low fire screw on the gas control valve should be screwed fully in, then unscrewed by the measurement shown in the 'Gas Specifications' table.



NOTE:

The 'Low Fire Screw' should be sealed with coloured paint on completion of the low fire adjustment.

Commissioning

Before leaving the converted installation;

1. Check all gas connections for leakages using soapy water or other gas detecting equipment.

WARNING:

DO NOT USE A NAKED FLAME TO CHECK FOR GAS LEAKAGES.

2. Check the following functions in accordance with the operating instructions specified in the 'Operation' section of this manual.
 - Light the Main Burners.
 - Check the Low Fire burner operation.
 - Check the High Fire burner operation.
 - Ensure all controls operate correctly.

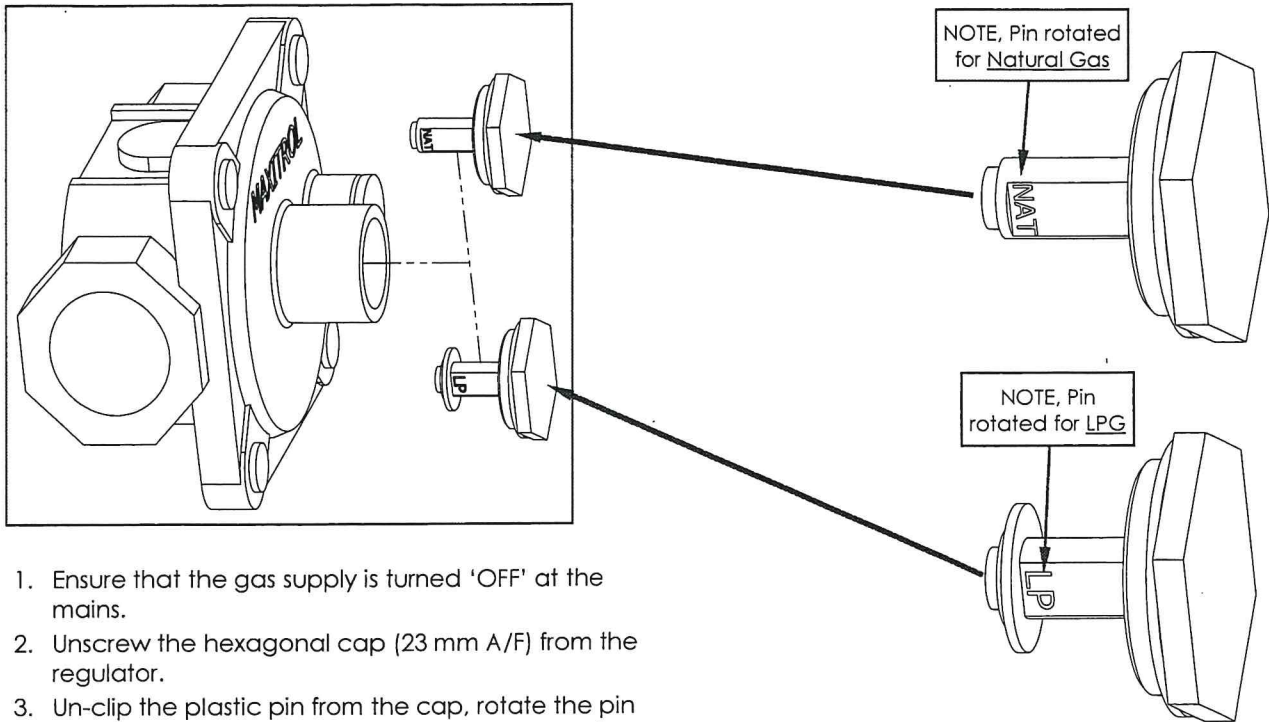
NOTE:

If for some reason it is not possible to get the appliance to operate correctly, shut off the gas supply and contact the supplier of this unit.

Gas Regulator

NOTE:

The regulator supplied is convertible between Natural Gas and LPG, but its outlet pressure is fixed ex-factory and is NOT to be adjusted.



1. Ensure that the gas supply is turned 'OFF' at the mains.
2. Unscrew the hexagonal cap (23 mm A/F) from the regulator.
3. Un-clip the plastic pin from the cap, rotate the pin and re-fit it back into the cap the correct way for the gas type to be used. **(Either 'LP' or 'NAT' should be visible on the flank of the pin once re-fitted to the cap).**
4. Screw the cap back into the regulator hand tight only.

Gas Type Identification Label

On completion of the gas conversion, replace the gas type labels located at:-

- The rear of the unit, above the gas connection.
- Beside the rating plate.

NOTE:

If for some reason it is not possible to get the appliance to operate correctly, shut off the gas supply and contact the supplier of this appliance.