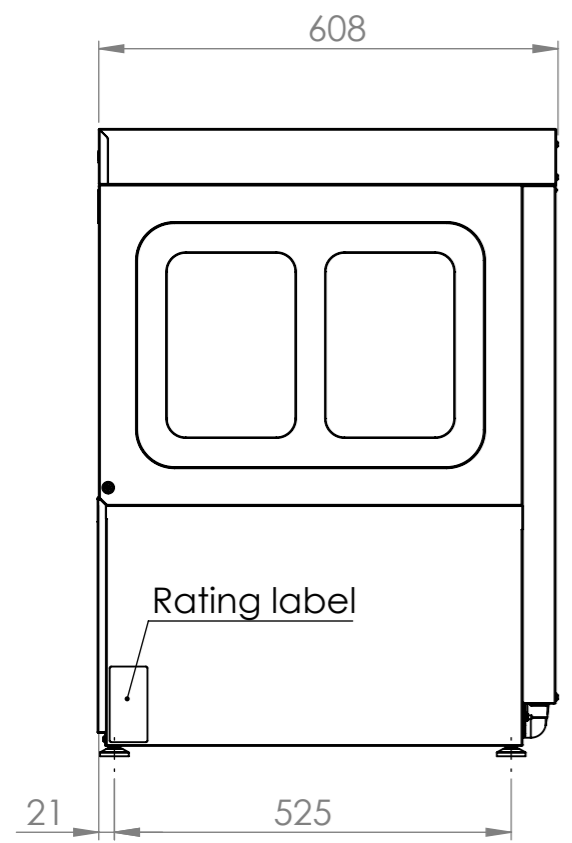
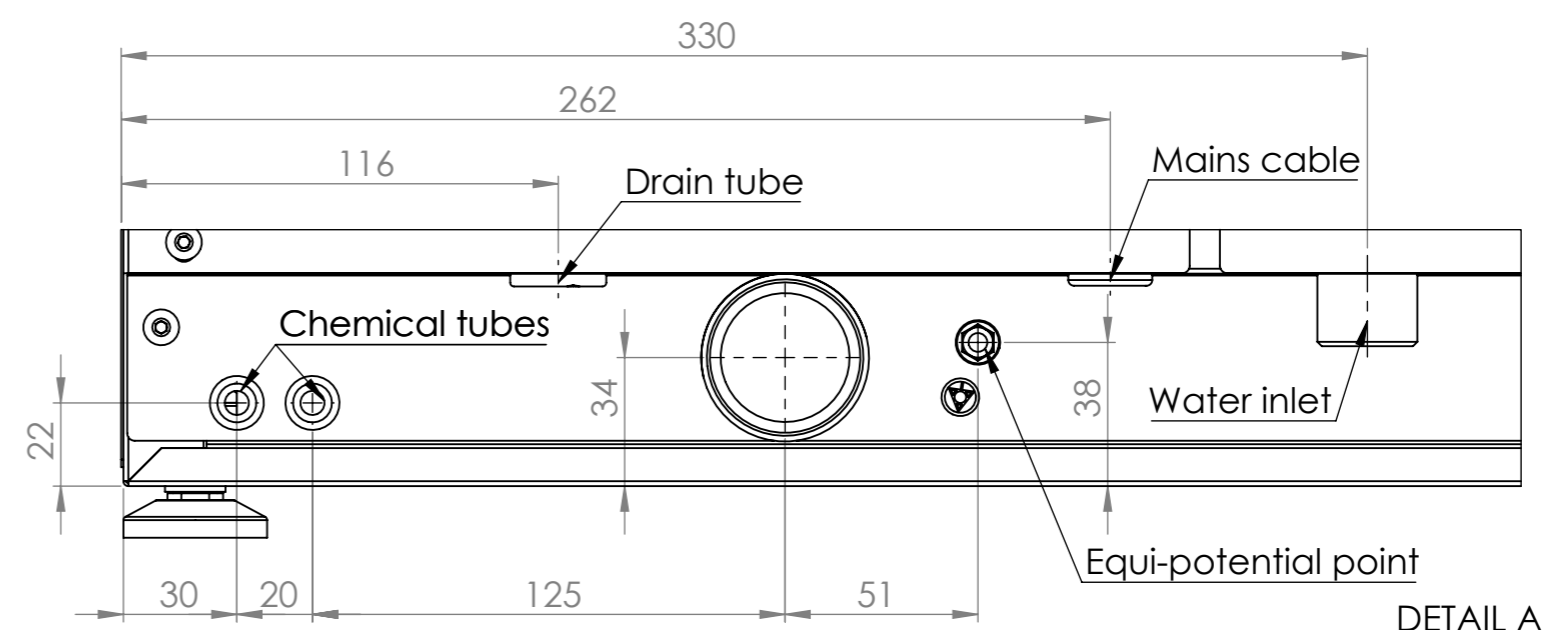
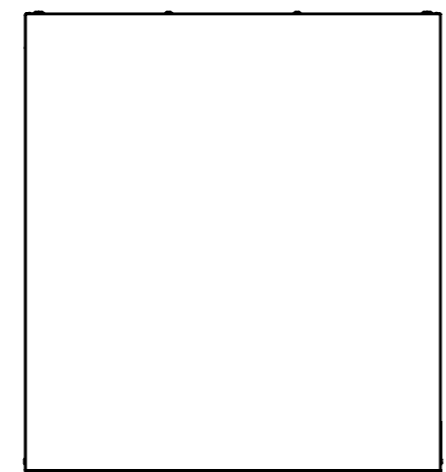
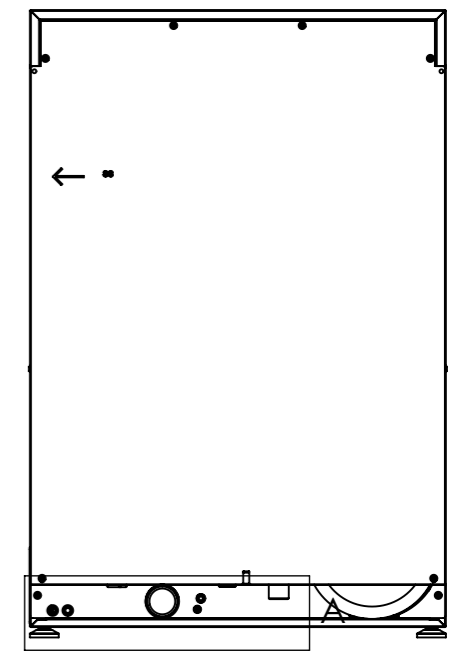
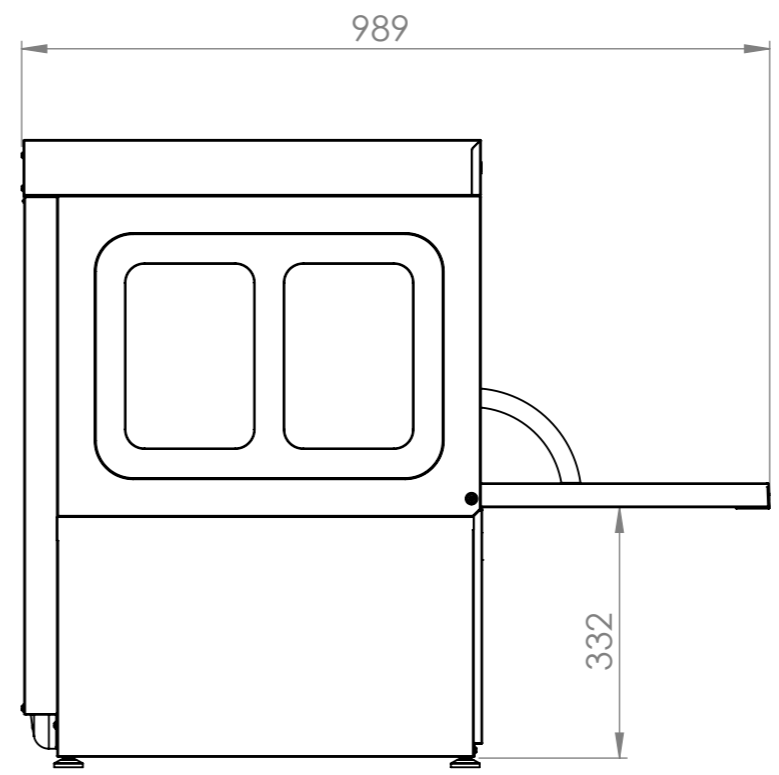
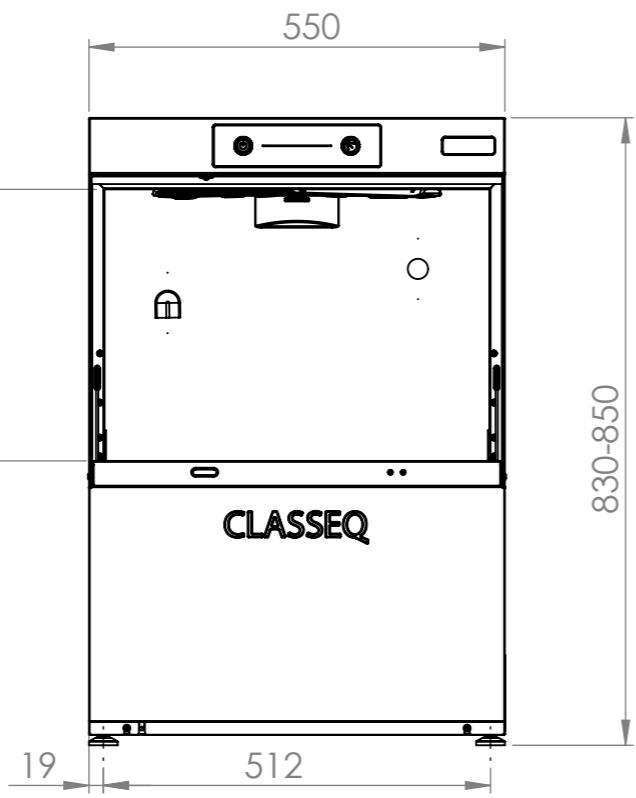


REVISIONS				
ECI	REV.	COMMENT	DATE	BY



Door Opening Height - 360
Entry Clearance height - 345

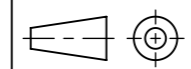


DETAIL A
SCALE 1 : 2

General Notes:

CLASSEQ
 Classeq Ltd.
 Classeq House
 Airfield industrial Estate
 Hixon
 Staffordshire
 ST18 0PF
 United Kingdom

IF IN DOUBT ASK



NAME	DATE	STATUS:	
A.Patil	13/02/2017	Production	
MATERIAL:		DESCRIPTION:	
See Table		500mm SS Machine layout	
FINISH:	SIZE	DRAWING NO.:	REV.:
	A3	90000462	DEV-01
DO NOT SCALE 3D DATA IS MASTER DIMENSIONING WITH REFERENCE TO BS8888		WEIGHT:	SCALE:1:10
		44 Kg	Sheet 1 of 1
OUTSIDE DIMS.: H: W: D:			